

Important Safety Instructions:

- For safety purposes, this lamp is equipped with a polarized plug (one blade is wider than the other). If the plug does not fit securely into your outlet, do not force it-contact a professional electrician. Use the plug with an extension cord only if it can be fully inserted into the cord's socket. Never alter the plug in any way.
- These instructions are provided for your safety. It is important that they are read carefully and completely before assembling fixture.
- This fixture has been rated for up to **(1) 100-watt maximum type A bulb (not included)**. To avoid the risk of fire, do not exceed the recommended wattage.

Warning:

- To reduce the risk of fire, electrical shock or personal injury, always turn off and unplug lamp and allow it to cool prior to replacing light bulb.**
- Do not touch bulb when fixture is turned on. Do not look directly at lit bulb.**
- Keep flammable materials away from lit bulb.**

Pre-assembly:

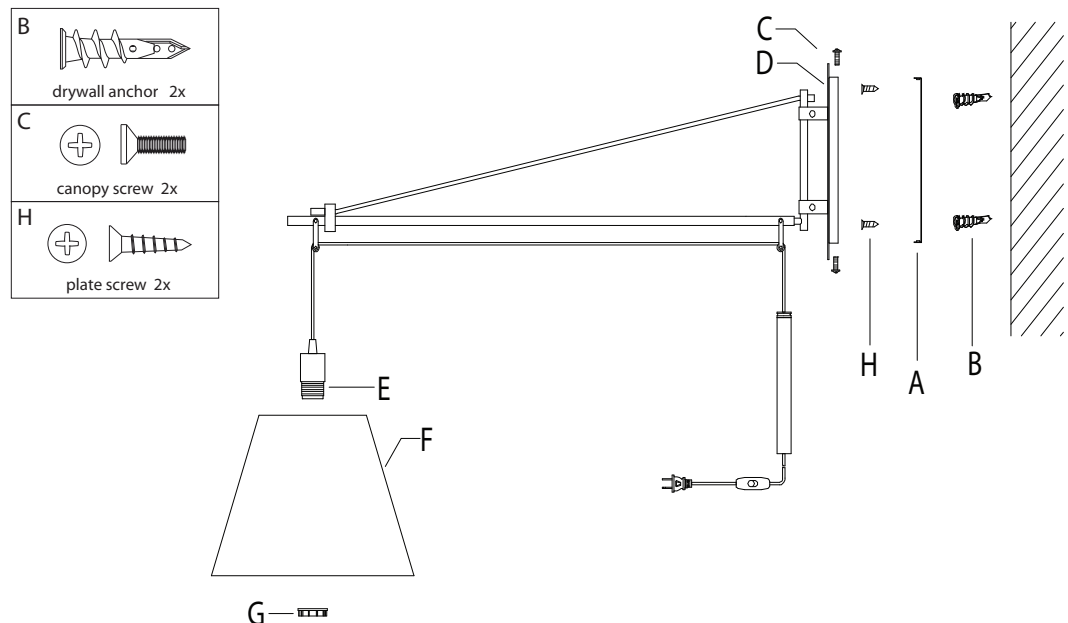
- Remove all parts and hardware from box along with any plastic protective packaging.
- Do not discard any contents until after assembly is complete to avoid accidentally discarding small parts or hardware.

Parts enclosed:

- (1) Canopy plate (A)**
- (1) Canopy (D)**
- (1) Socket (E)**
- (1) Shade (F)**
- (1) Socket Screw (G)**

Hardware Included:

- (2) Drywall anchors (B)**
- (2) Canopy screws (C)**
- (1) Plate screw (H)**

**Assembly Instructions:**

1. Screw the drywall anchor (B) onto the wall.
2. Fasten the canopy plate (A) to the wall by screwing the plate screw (H) into the drywall anchor (B).
3. Secure the canopy (D) to the canopy plate (A) with the canopy screw (C).
4. Place the shade (F) onto the socket (E).
5. Turn the socket screw (G) onto the socket.
6. Screw the bulb onto the socket.

Care instructions:

- Clean with soft, dry cloth.
- Always avoid the use of harsh chemicals or abrasive cleaners as they may cause damage to the lamp.