

Rem clearance bed Queen | King | Cal king Low | Normal | Tall

Assembly step:

1. For wood legs: P4-P8
2. For metal legs: P9-P13

Note: The fabrics, headboard styles, and legs included within these cartons were selected by the customer thru our custom ordering process. This is why you see multiple styling choices for headboards and legs in this universal assembly depiction. The type of legs defines the assembly instructions to follow, and some hardware may remain without use after the assembly."

ENGLISH

Do not dispose of any packaging or contents of the shipping carton until assembly is completed to avoid accidentally discarding small parts or hardware.

FRANÇAIS

Ne jetez rien des produits d'emballage et du contenu de la boîte jusqu'à ce que l'assemblage soit terminé, afin d'éviter de jeter par mégarde de petites pièces ou des morceaux.

ESPAÑOL

Para evitar desechar accidentalmente las partes pequeñas o las piezas de ferretería, no tirar el embalaje o contenido de la caja hasta que el ensamblaje esté completo.

Care Instructions:

Dust often using a clean, soft, dry and lint-free cloth.

When blot spills, wipe with a clean, damp cloth immediately.

We do not recommend the use of chemical cleansers, abrasives or furniture polish on our lacquered finish.

Hardware may loosen over time. Periodically check to make sure all connections are tight. Re-tighten if necessary.

Instructions d'entretien :

Épousseter régulièrement avec un chiffon propre, doux et non pelucheux.

Éponger immédiatement les liquides renversés et essuyer à l'aide d'un chiffon propre et humide.

L'utilisation de produits nettoyants chimiques, d'abrasifs ou d'encaustiques sur nos finitions laquées n'est pas recommandée.

Le matériel de fixation peut se desserrer avec le temps. Vérifiez régulièrement afin de vous assurer que tous les raccords sont bien serrés. Resserrez-les au besoin.

Instrucciones de cuidado:

Limpiar el polvo con un trapo limpio, suave, seco y libre de pelusas.

Secar los derrames de inmediato y limpiar con un trapo limpio y húmedo.

Recomendamos no usar limpiadores químicos, abrasivos o lustramuebles sobre el acabado barnizado.

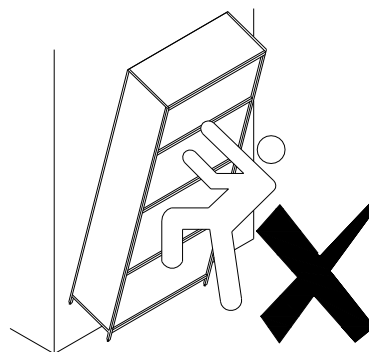
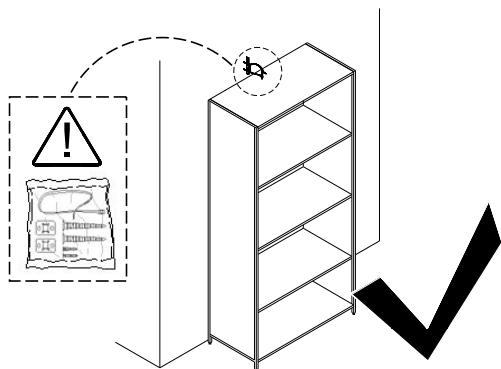
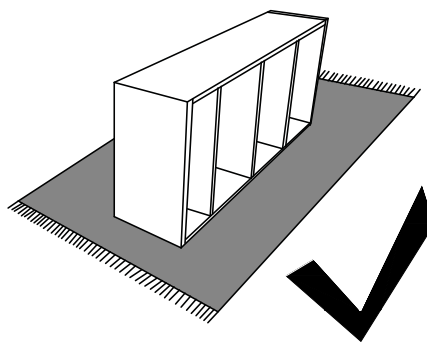
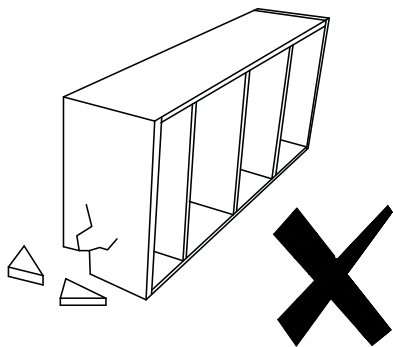
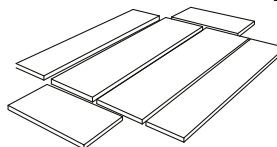
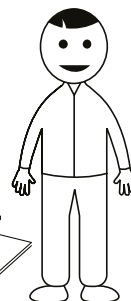
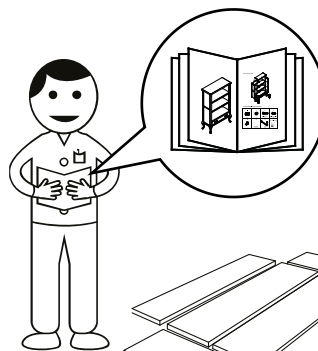
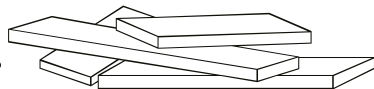
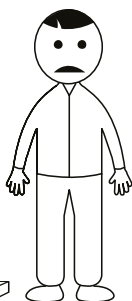
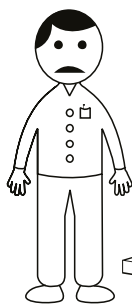
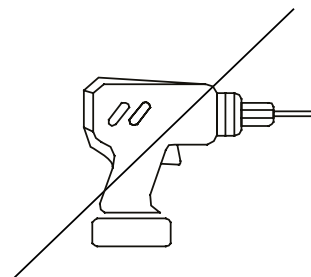
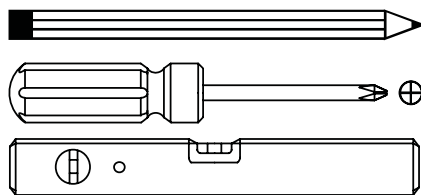
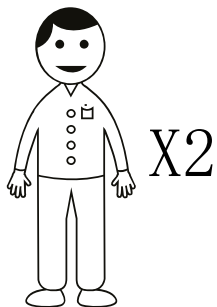
Las piezas de ferretería pueden aflojarse con el tiempo. Controlar periódicamente que estén bien ajustadas. Si es necesario, volver a ajustarlas.

Williams-Sonoma Inc.

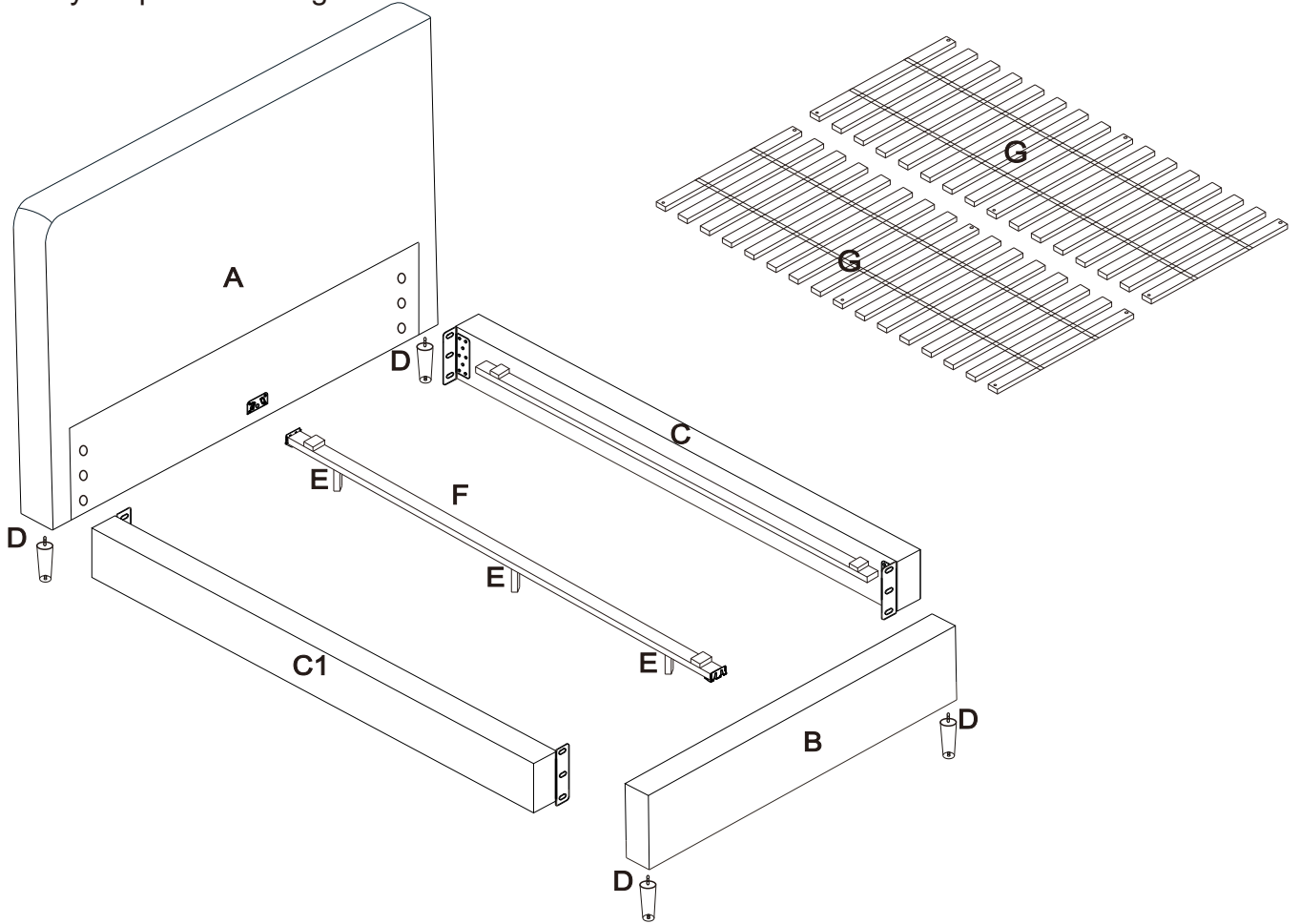
pottery barn kids – PBteen – Pottery Barn – west elm – Williams Sonoma – Williams Sonoma Home – Rejuvenation – Mark and Graham

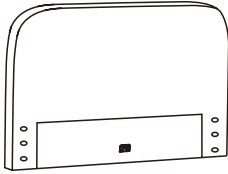
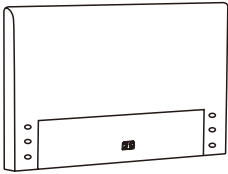
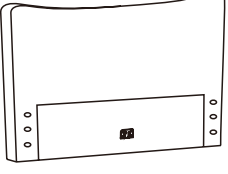
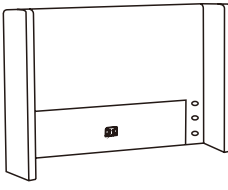
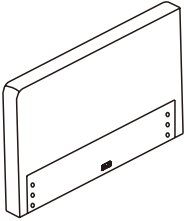
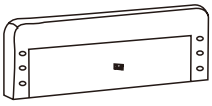
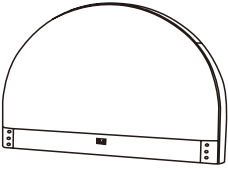
20-Jun-2023

3/13










Assembly steps: Wood legs bed



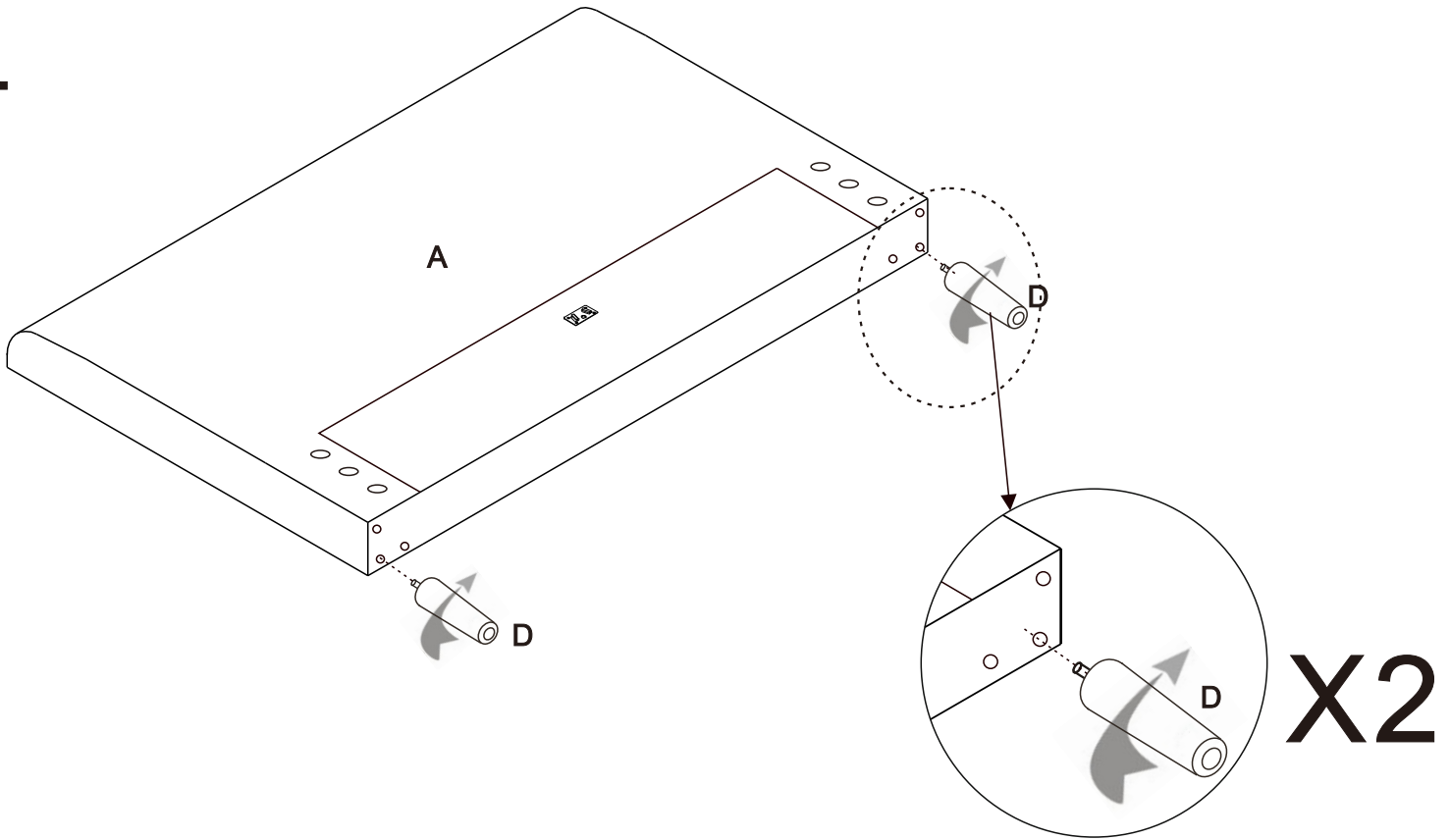
<p>A</p>  <p>Camila</p>	<p>A</p>  <p>Andes</p>	<p>A</p>  <p>Myla</p>	<p>A</p>  <p>Shelter</p>
<p>A</p>  <p>Emmett</p>	<p>A</p>  <p>Bedframe Headboard</p>	<p>A</p>  <p>Lucilla</p>	

This is the hardware required for the wood legs assembly:

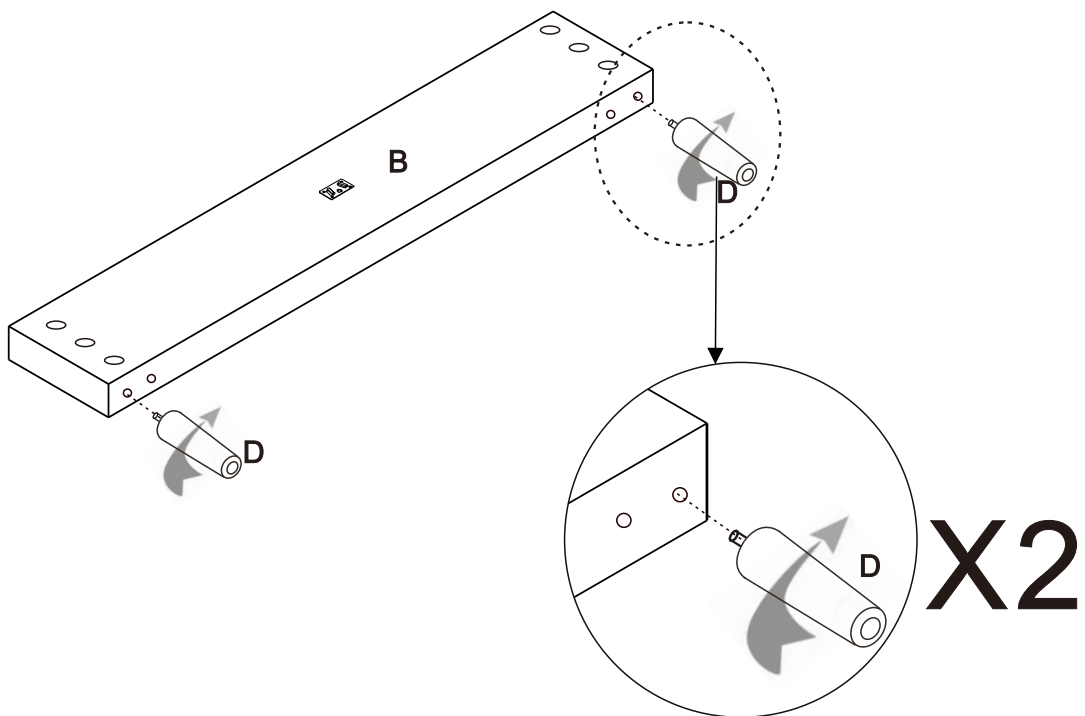
<p>H</p>  <p>M6x30mm 12x</p>	<p>I</p>  <p>M6 12x</p>	<p>J</p>  <p>M6 12x</p>	<p>K</p>  <p>M5x40mm 12x</p>	<p>L</p>  <p>5mm 1x</p>	<p>D</p>  <p>4X</p>	<p>E</p>  <p>3X</p>
---	--	--	---	--	--	--

Assembly steps: Wood legs bed

1.

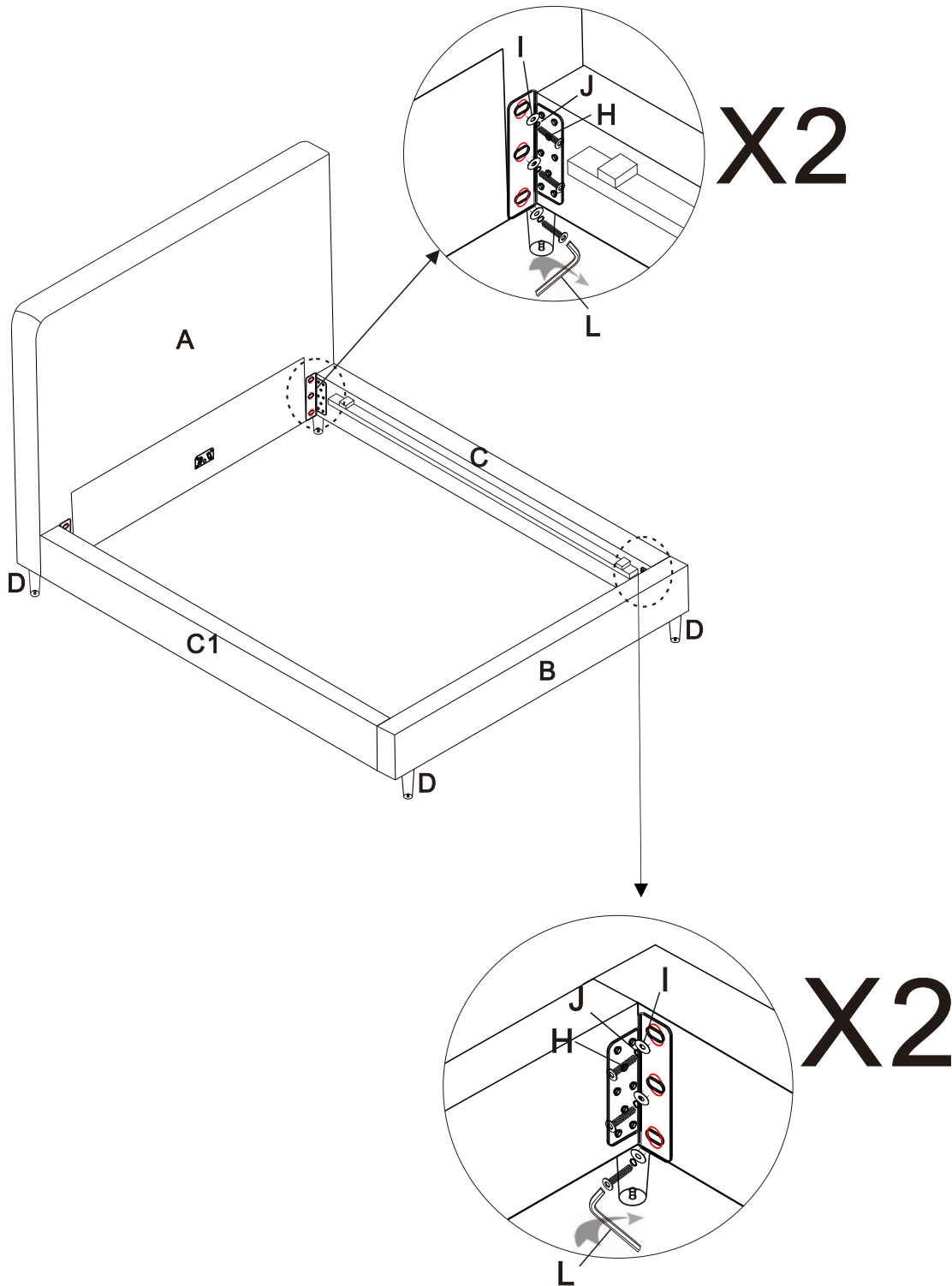


2.



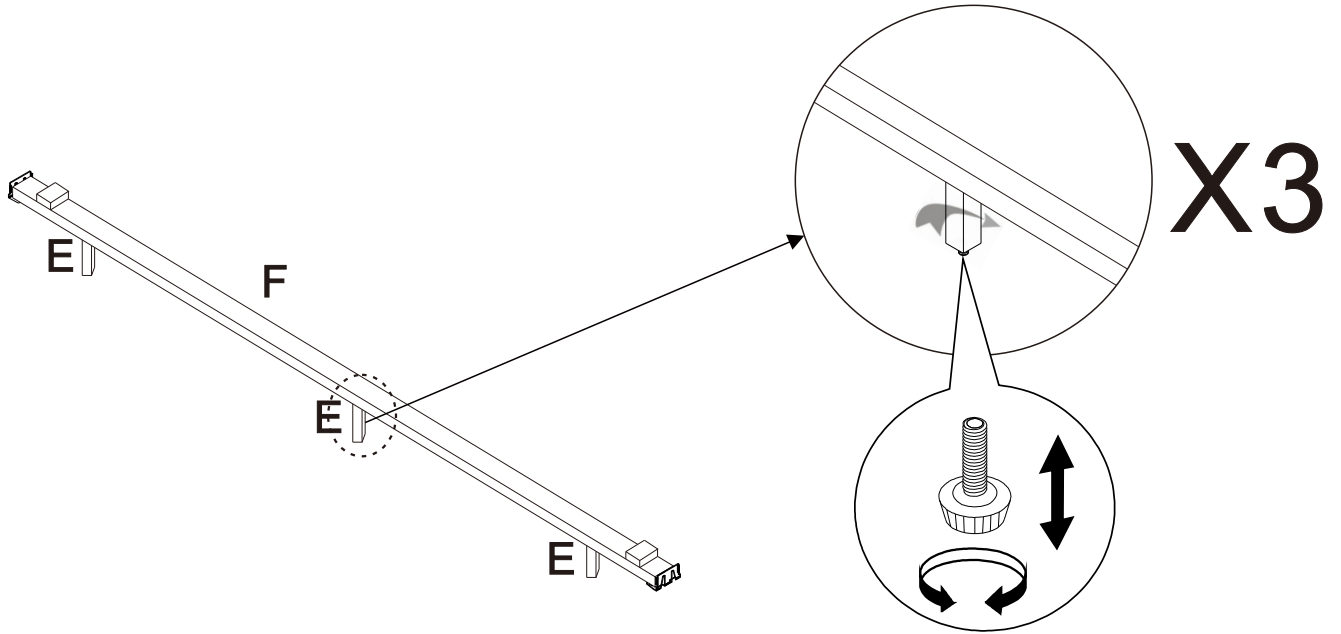
Assembly steps: Wood legs bed

3.



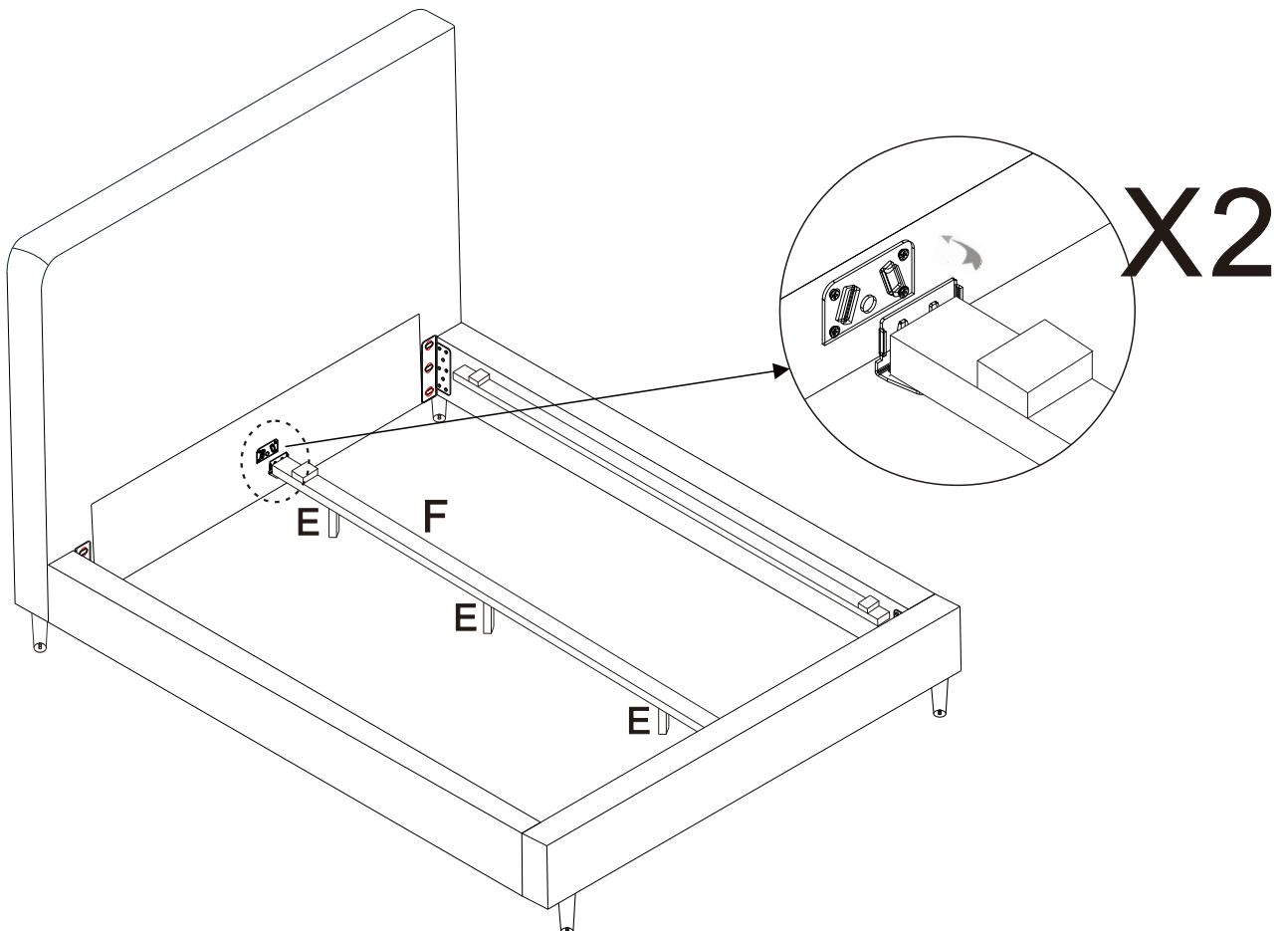
Assembly steps: Wood legs bed

4.



Note: Adjust these levelers as needed.

5.



Williams-Sonoma Inc.

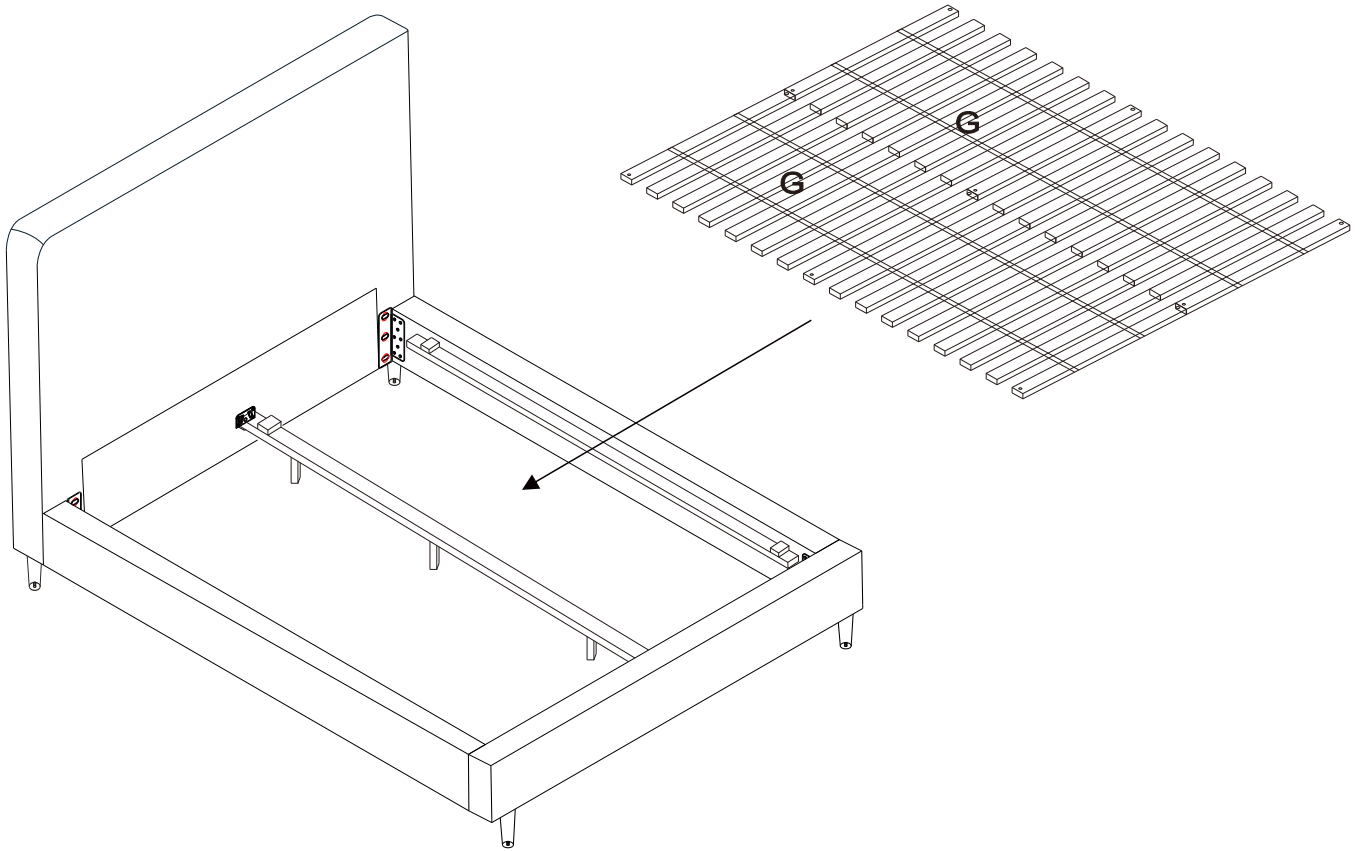
pottery barn kids – PBteen – Pottery Barn – west elm – Williams Sonoma – Williams Sonoma Home – Rejuvenation – Mark and Graham

20-Jun-2023

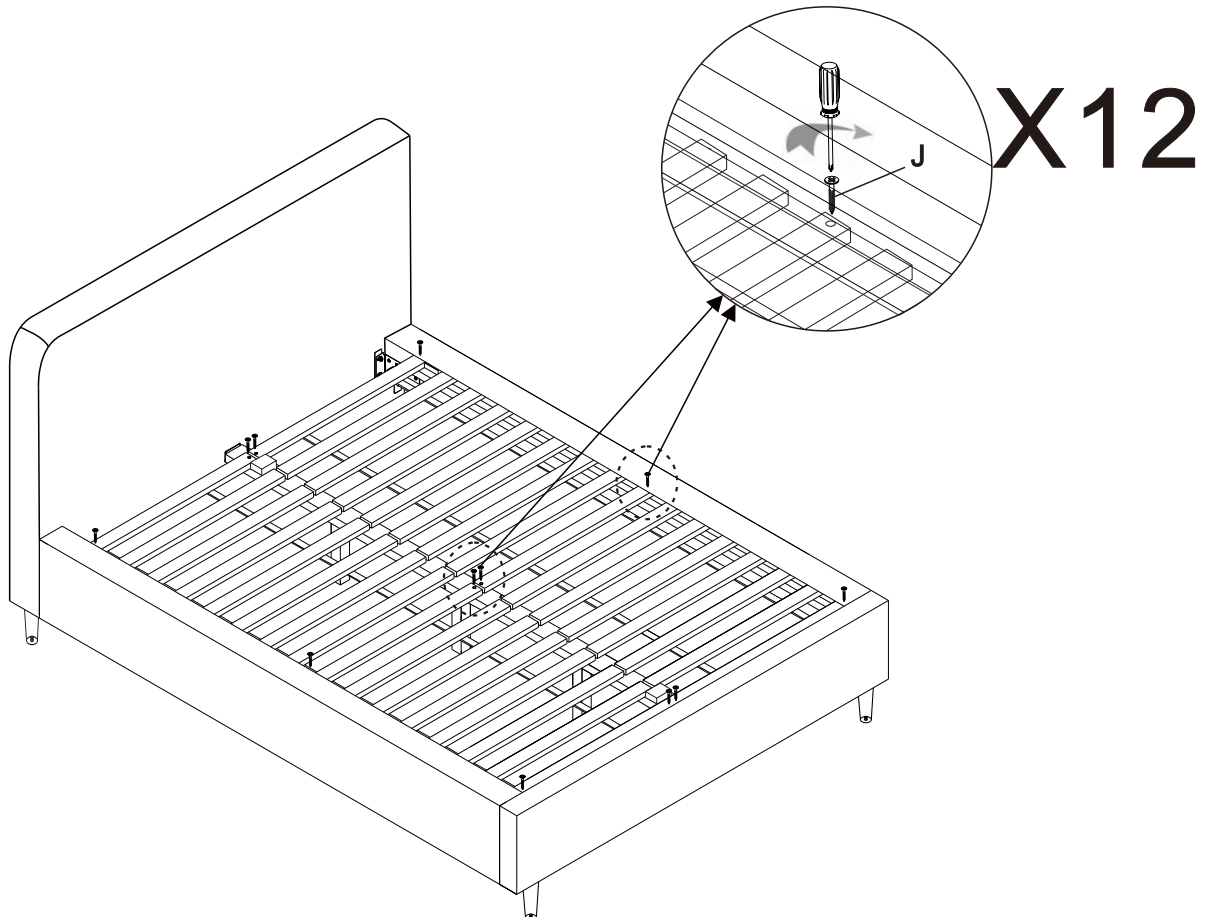
8/13

Assembly steps: Wood legs bed

6.



7.



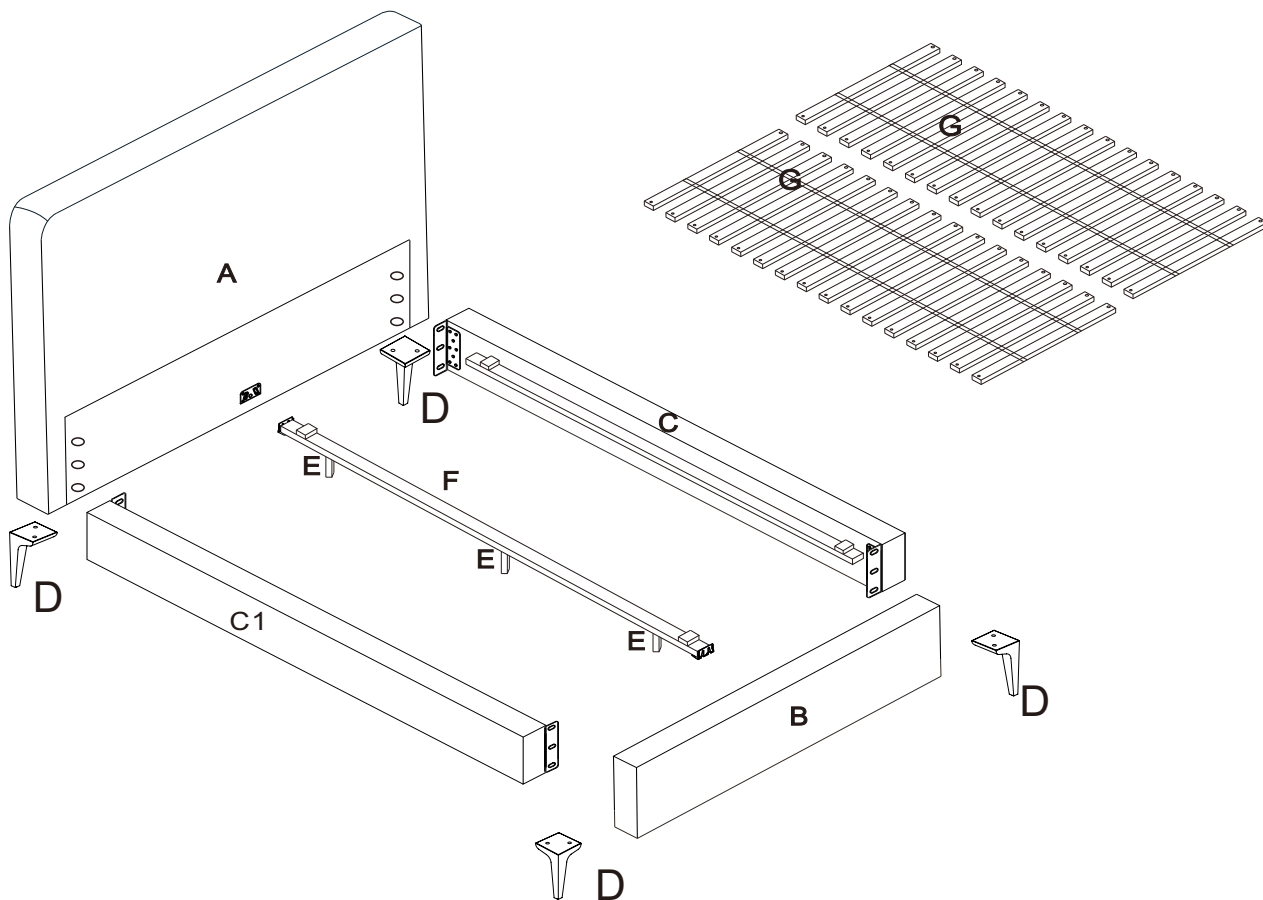
Williams-Sonoma Inc.

pottery barn kids – PBteen – Pottery Barn – west elm – Williams Sonoma – Williams Sonoma Home – Rejuvenation – Mark and Graham

20-Jun-2023

9/13

Assembly steps: Metal legs bed



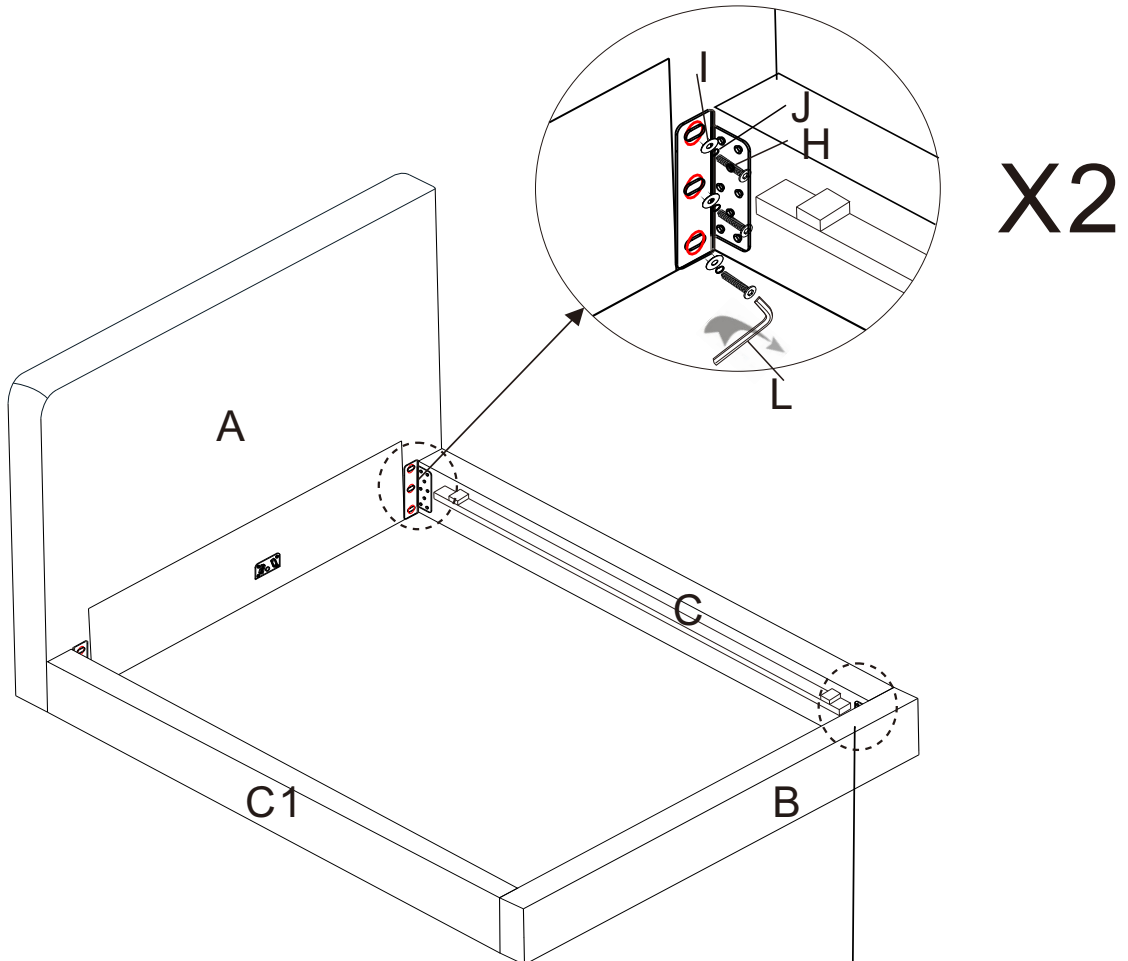
A Camila	A Andes	A Myla	A Shelter
A Emmett	A Bedframe Headboard	A Lucilla	E 3X

This is the hardware required for the metal legs assembly:

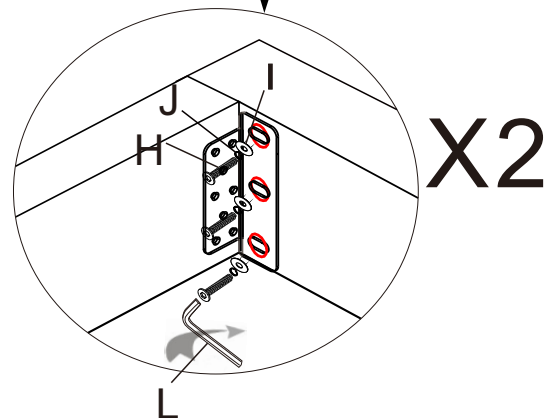
H M6x30mm 12x	I M6 12x	J M6 12x	K M5x40mm 12x	L 5mm 1x	M. M8x25mm 8x	N M8 8x	D 4X
-------------------------	--------------------	--------------------	-------------------------	--------------------	-------------------------	-------------------	-------------

Assembly steps: Metal legs bed

1.

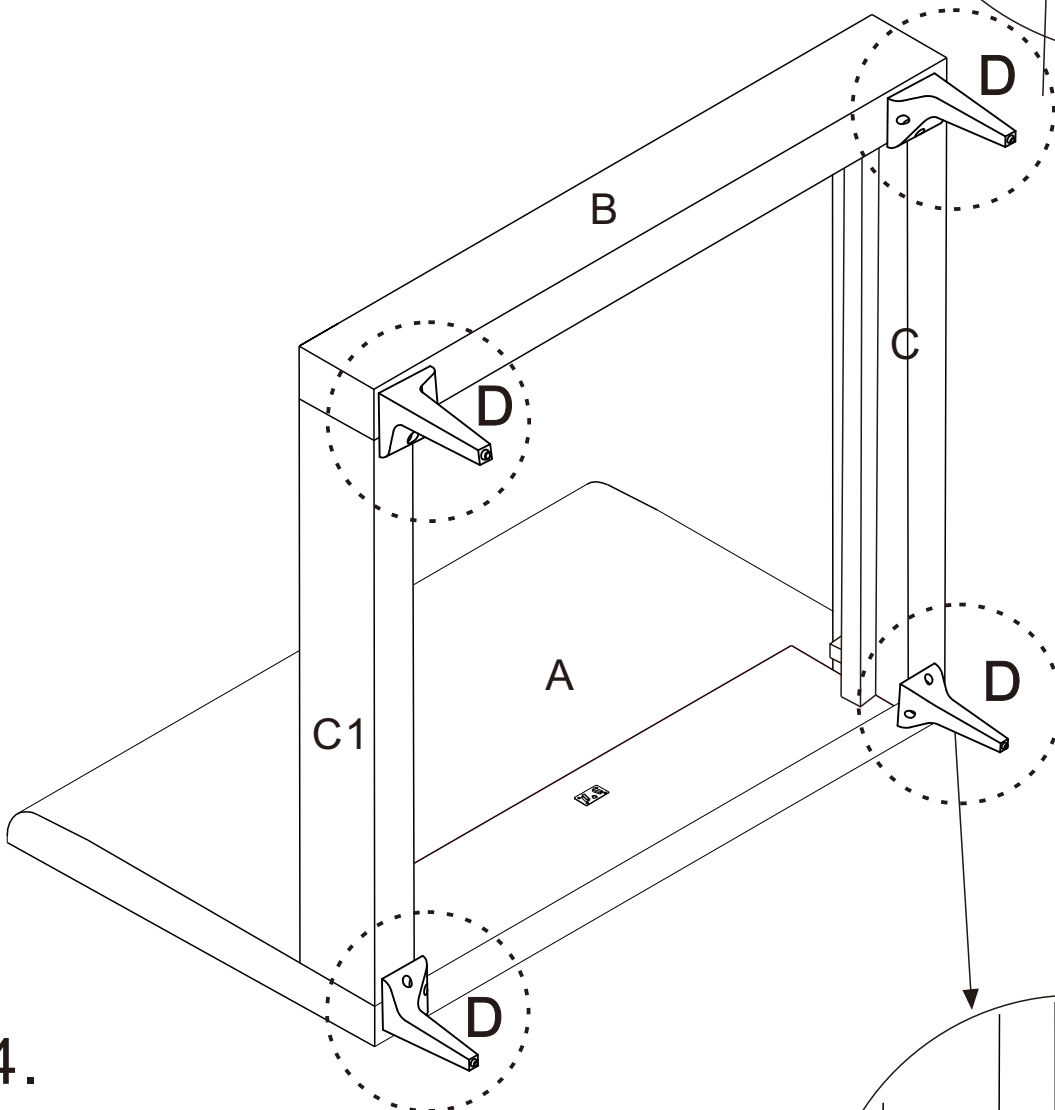
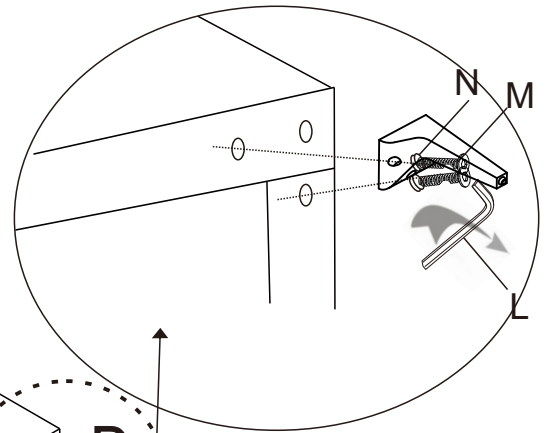


2.

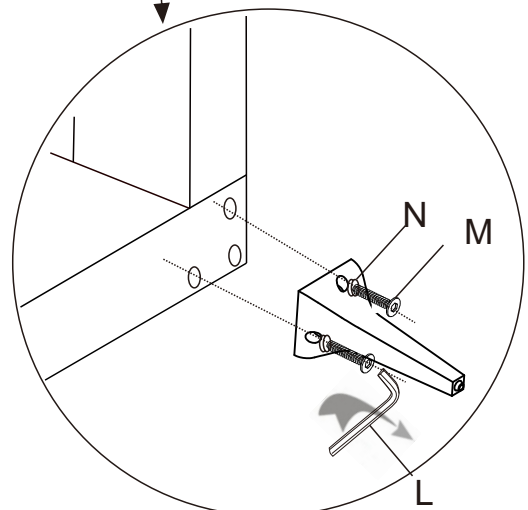


Assembly steps: Metal legs bed

3.

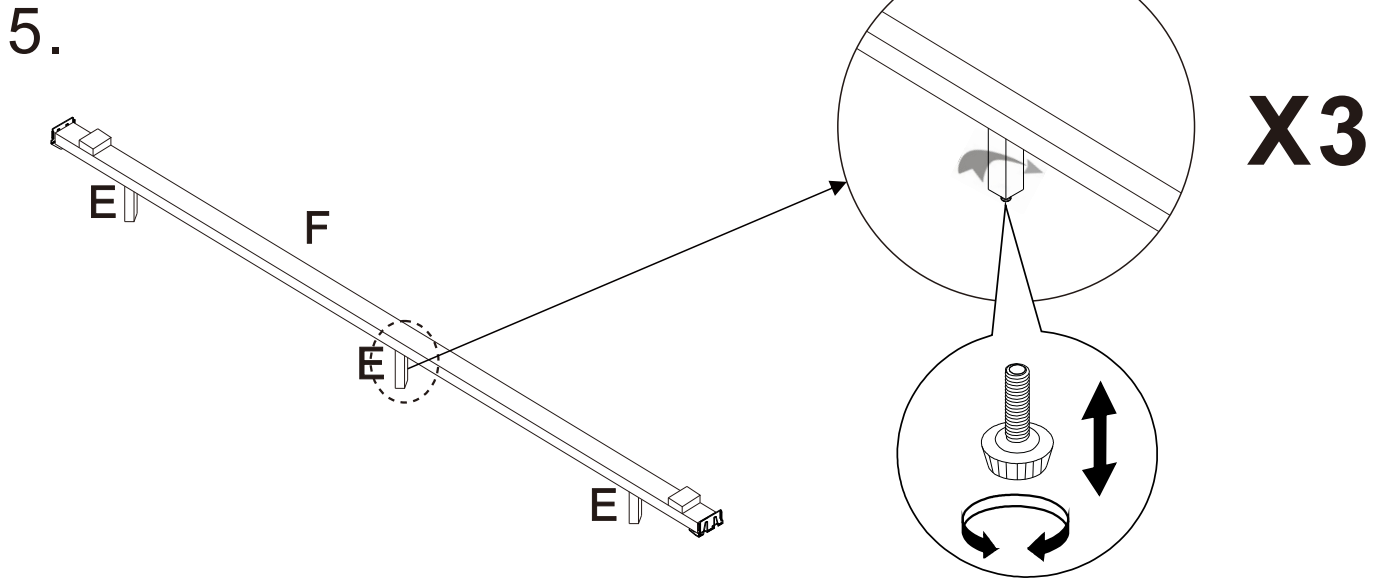


4.

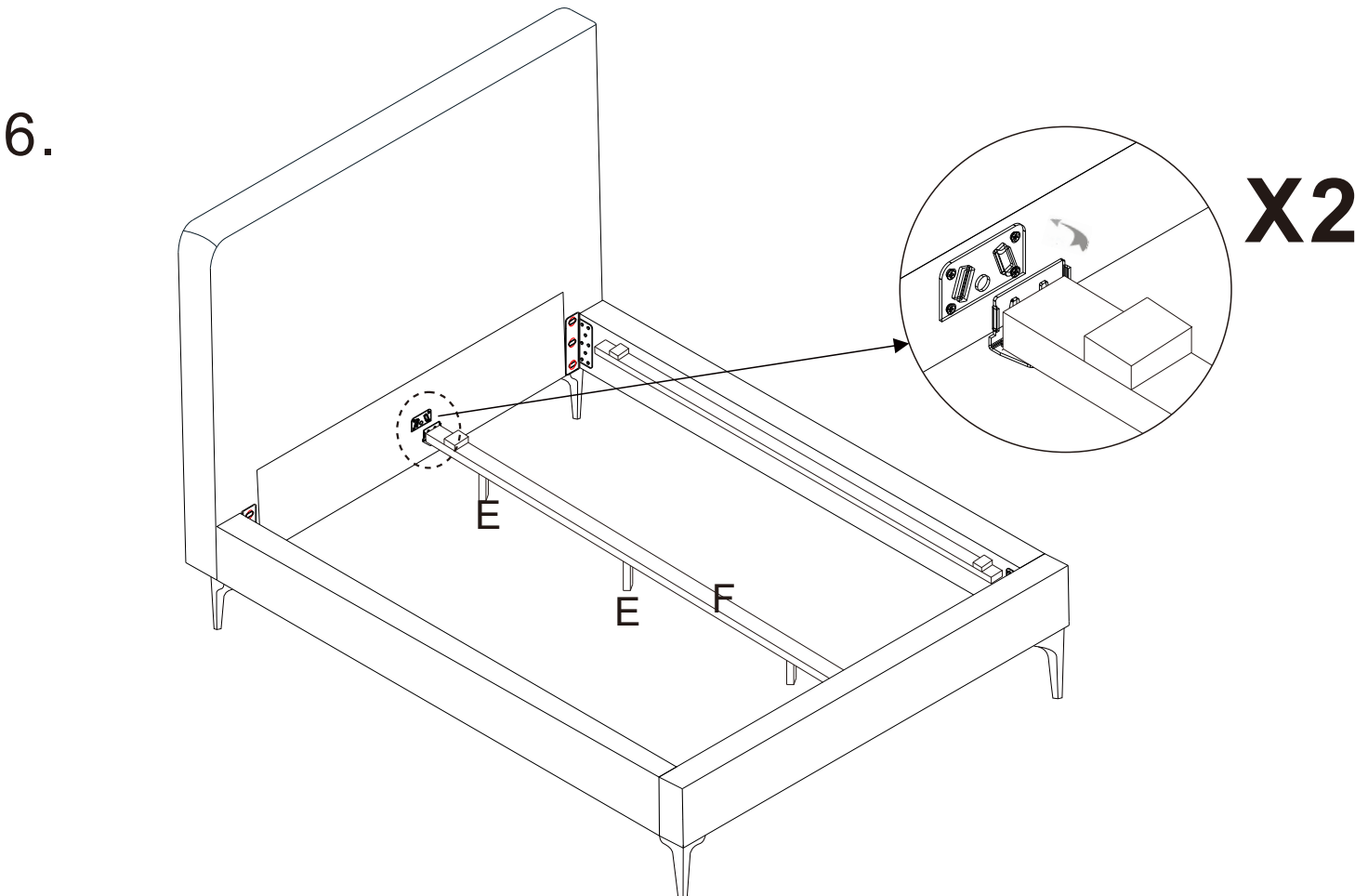


X2

Assembly steps: Metal legs bed



Note: Adjust these levelers as needed.



Williams-Sonoma Inc.

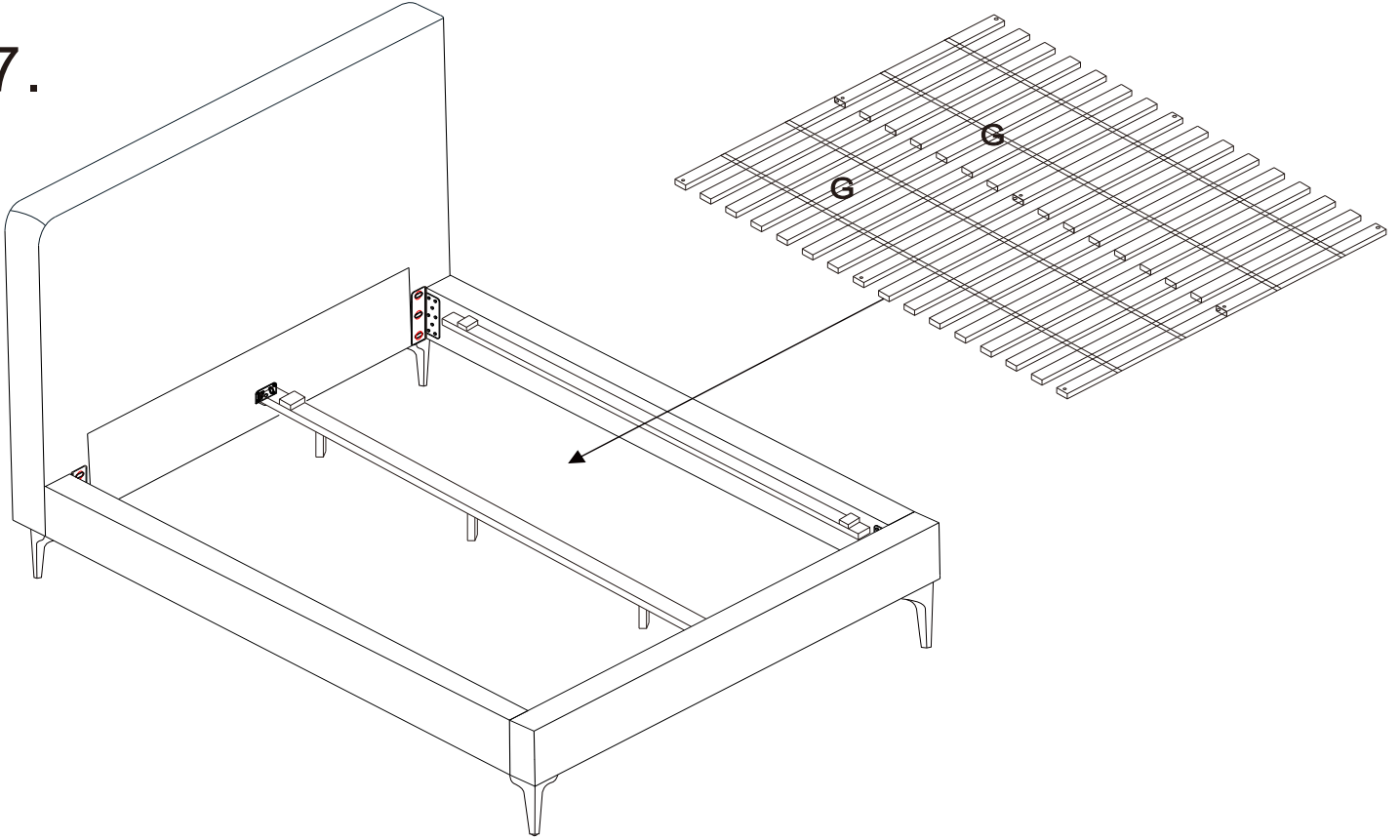
pottery barn kids – PBteen – Pottery Barn – west elm – Williams Sonoma – Williams Sonoma Home – Rejuvenation – Mark and Graham

20-Jun-2023

13/13

Assembly steps: Metal legs bed

7.



8.

