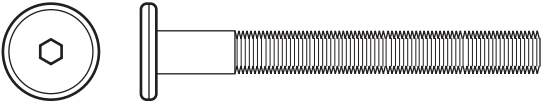
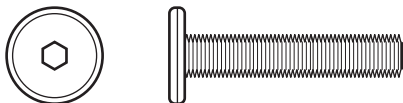
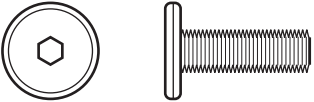
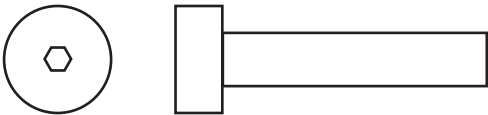
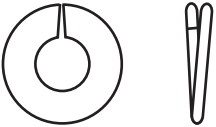
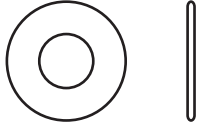
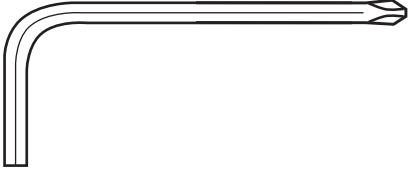



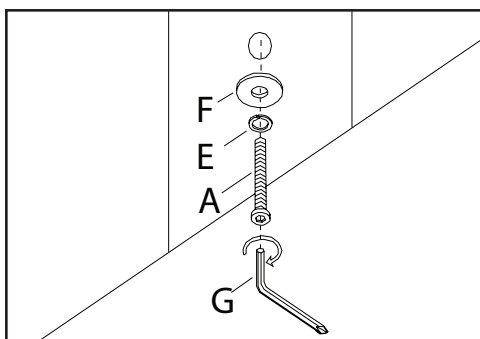
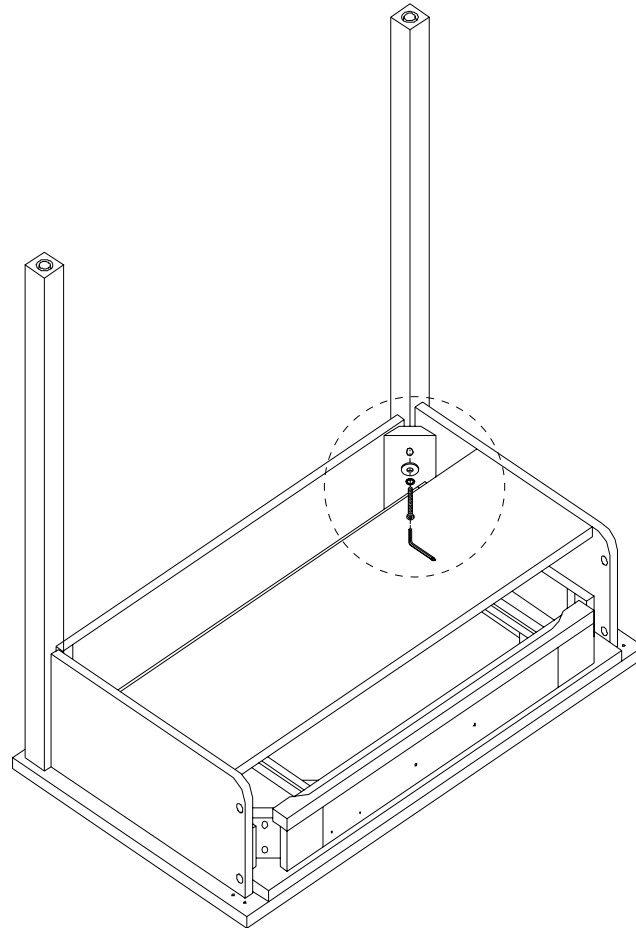
! Tools required: 

! Do not throw away packaging materials until assembly is complete.

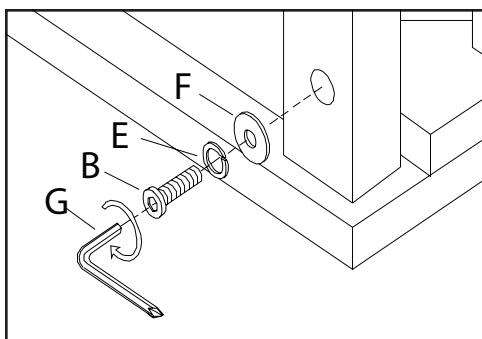
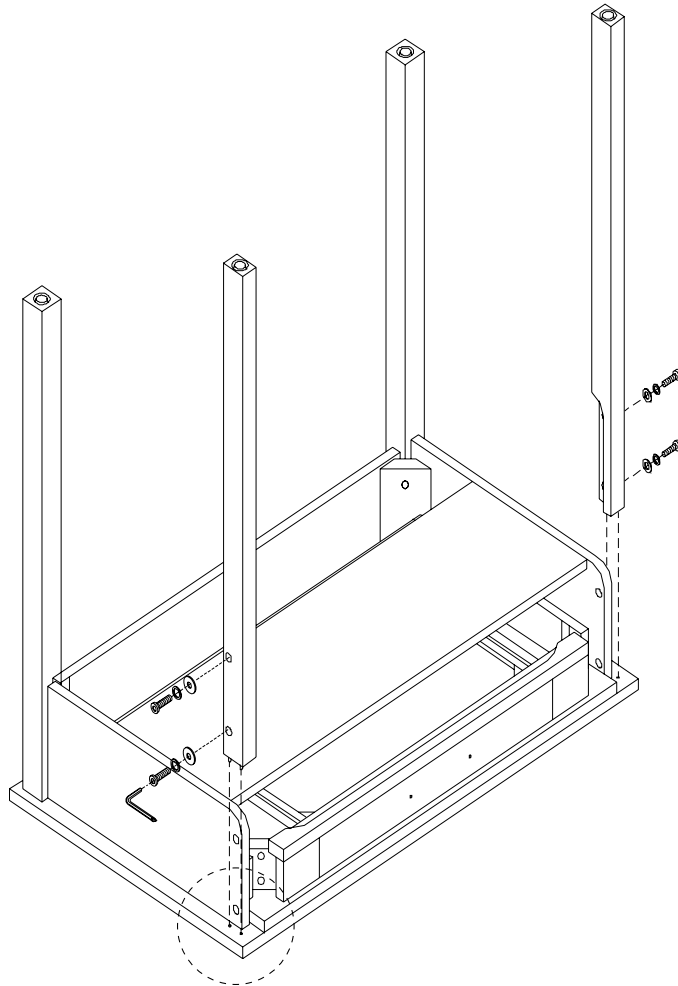
! Assemble this item on a soft surface, such as cardboard or carpet, to protect finish.

<p>A</p>  <p>long bolt 8x</p>	<p>B</p>  <p>medium bolt 4x</p>
<p>C</p>  <p>short bolt 2x</p>	<p>D</p>  <p>axle 2x</p>
<p>E</p>  <p>lock washer 12x</p>	<p>F</p>  <p>flat washer 12x</p>
<p>G</p>  <p>allen and phillips wrench 1x</p>	<p>H</p>  <p>plastic pipe 2x</p>

1. Fasten back legs to desk top using flat washer (F), lock washer (E), and long bolt (A) in order as shown. Tighten with allen wrench (G).

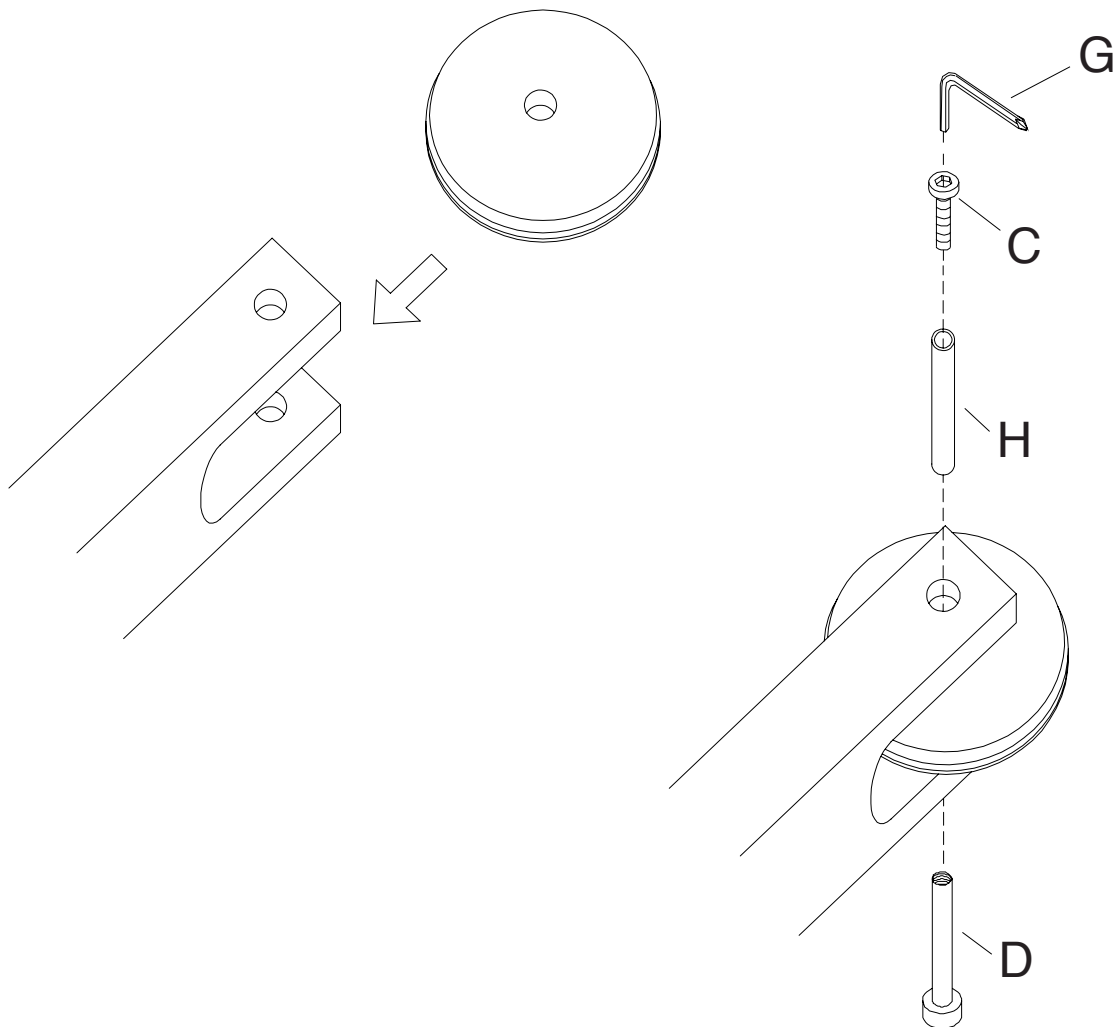


2. Fasten front legs to desk top using flat washer (F), lock washer (E), and medium bolt (B) in order as shown. Tighten with allen wrench (G).

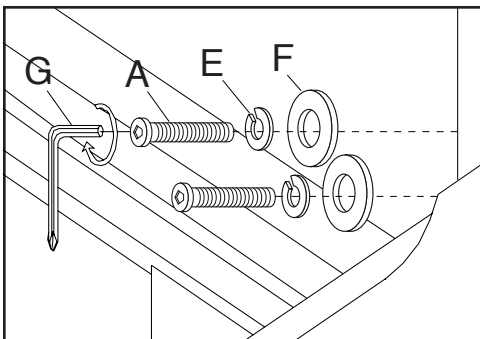
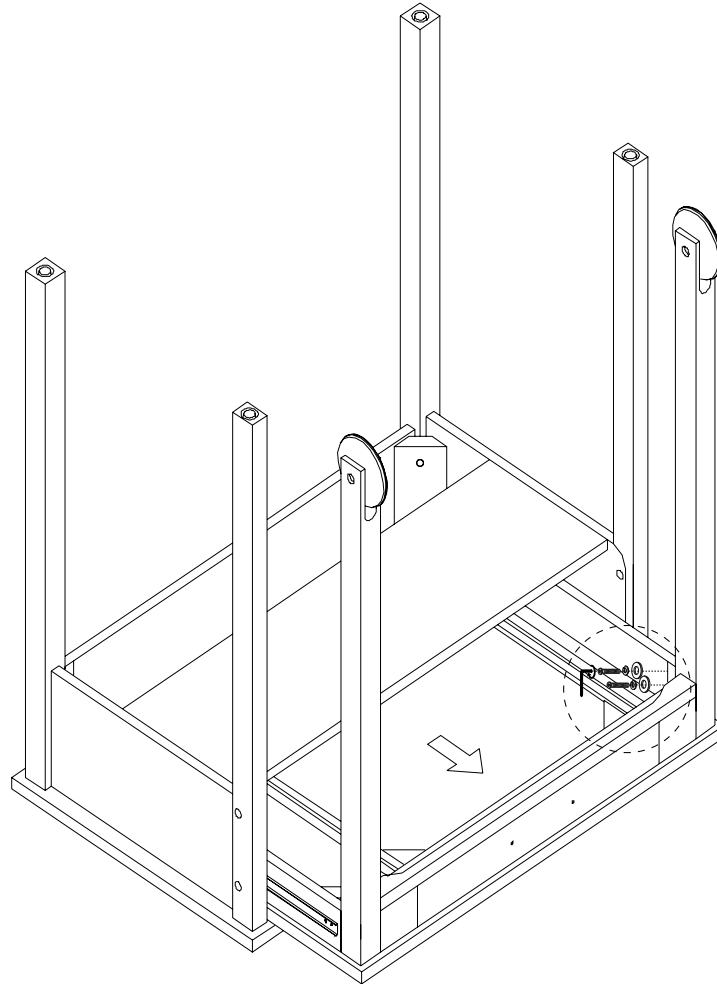


3. Set wheel into leg as shown.

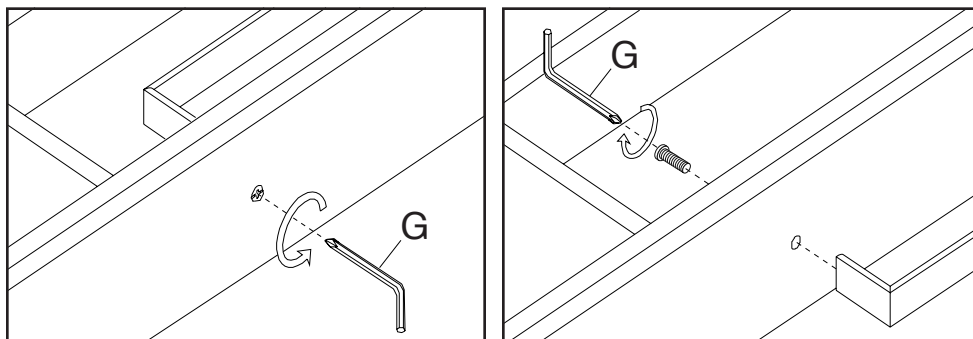
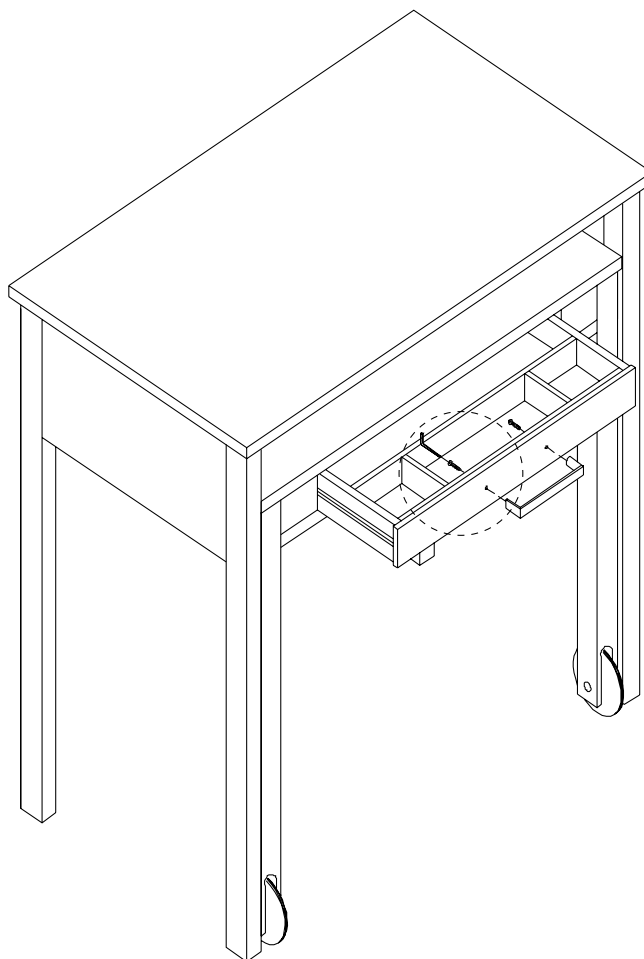
4. Insert axle (D) and fit plastic pipe (H) through leg into wheel . Fasten axle through leg with short bolt (C) and tighten with allen wrench (G).



5. Fasten tray legs to top using flat washer (F), lock washer (E), and long bolt (A) in order as shown. Tighten with allen wrench (G).



6. The drawer handle has been attached inside the drawer for shipping. Remove 2 handle screws using philips side of wrench (F). Re-attach handle facing outside the drawer. Tighten screws with phillips wrench (G).



CARE INSTRUCTIONS

Hardware may loosen over time. Periodically check that all connections are tight.

Wipe with a soft, dry cloth. To protect finish, avoid the use of chemicals and household cleaners.