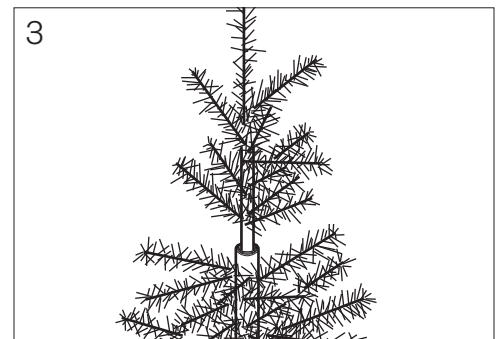
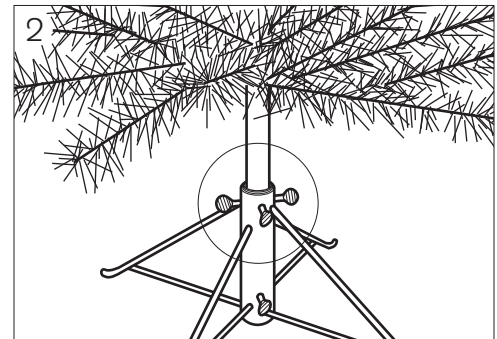
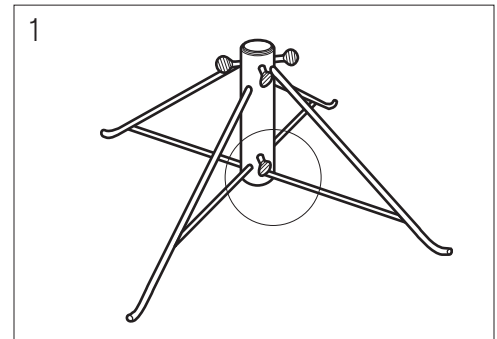


west elm: antique tree 5'H

assembly/care instructions

- ! Do not throw away packaging materials until assembly is complete.
- ! For decorative use only.
- ! For indoor use only.
- ! Do not place product near open flame, high temperatures or electronic appliances.
- ! Use with standard low-watt indoor holiday lights only.

1. Place tree stand as shown. Tighten bottom screw to hold in place.
2. Insert bottom half of the tree into stand. Tighten the 4 top screws on the stand, while holding the tree upright.
3. Insert the tree top into center rod.
4. Bend branches out for a full tree shape.



CARE INSTRUCTIONS.

Hardware may loosen over time. Periodically check that all connections are tight.

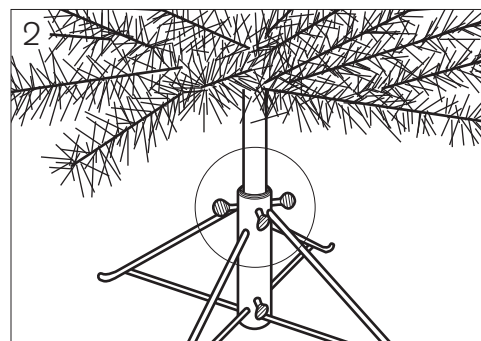
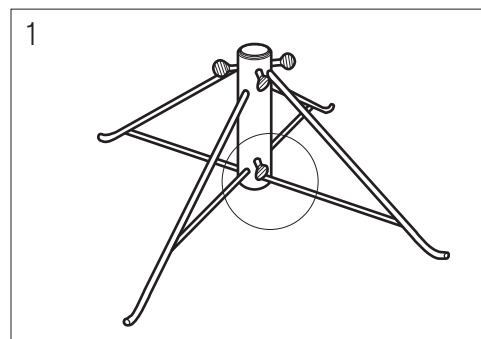
Wipe with a soft, dry cloth. To protect the finish, avoid the use of all chemicals and household cleaners.

west elm : antique tree 3'H

assembly/care instructions

- ! Do not throw away packaging materials until assembly is complete.
- ! For decorative use only.
- ! For indoor use only.
- ! Do not place product near open flame, high temperatures or electronic appliances.
- ! Use with standard low-watt indoor holiday lights only.

1. Place tree stand as shown. Tighten bottom screw to hold in place.
2. Insert bottom half of the tree into stand. Tighten the 4 top screws on the stand, while holding the tree upright.
3. Bend branches out for a full tree shape.



CARE INSTRUCTIONS.

Hardware may loosen over time. Periodically check that all connections are tight.

Wipe with a soft, dry cloth. To protect the finish, avoid the use of all chemicals and household cleaners.