

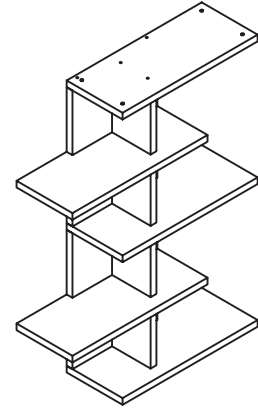
! Tools required:



! Do not throw away packaging materials until assembly is complete.

! Assemble this item on a soft surface, such as cardboard or carpet, to protect finish.

! Proper assembly of this item requires 2 people.

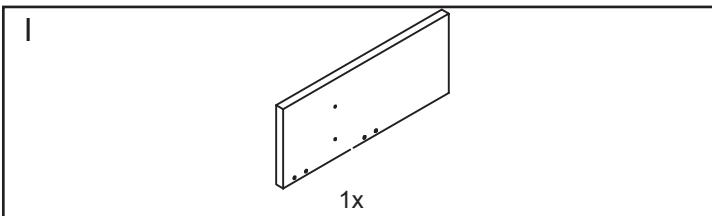
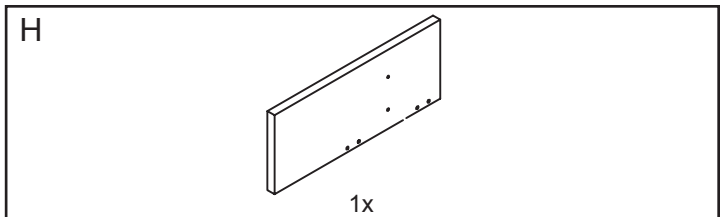
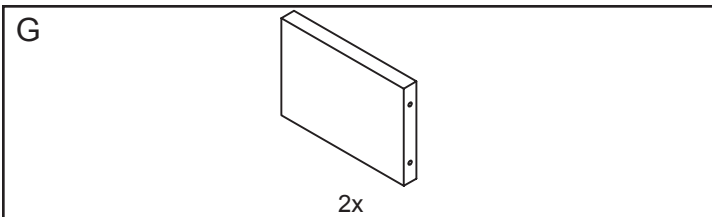
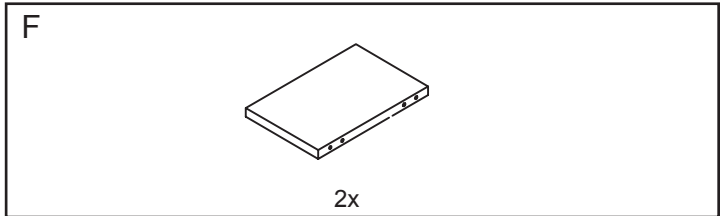
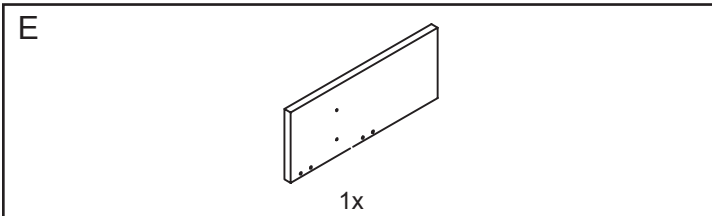
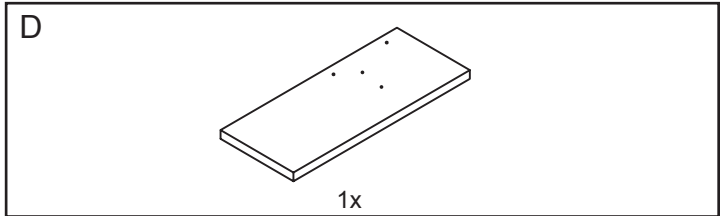
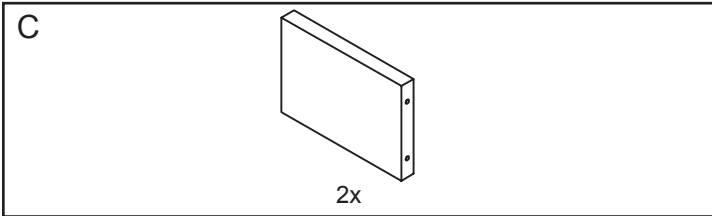
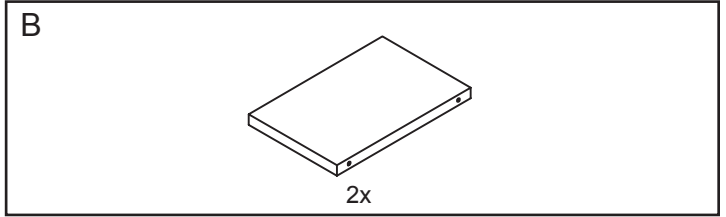
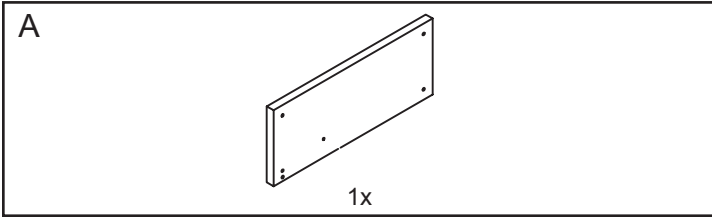


## Hardware

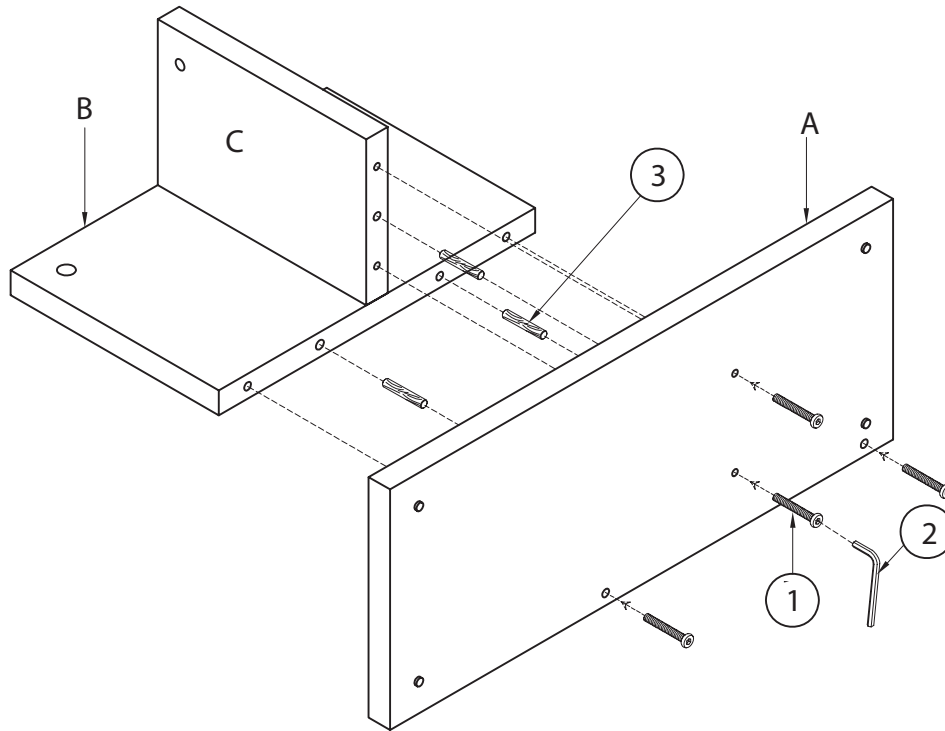
<p>1</p> <p>bolts 8x</p>	<p>2</p> <p>4mm hex key 1x</p>
<p>3</p> <p>dowel 24x</p>	<p>4</p> <p>cam bolt 6x</p>
<p>5</p> <p>cam lock 6x</p>	<p>6</p> <p>metal rod 3x</p>
<p>7</p> <p>5mm hex key 1x</p>	<p>8</p> <p>threaded cap nut 3x</p>
<p>9</p> <p>lock washer 3x</p>	<p>10</p> <p>screws 3x</p>

<p>Mounting Plate 2x</p>	<p>Anti tip kit 1x</p> <p>Nylon Strap 1x</p>	<p>Small Screw 2x Large Screw 2x</p>
--------------------------	--	--------------------------------------

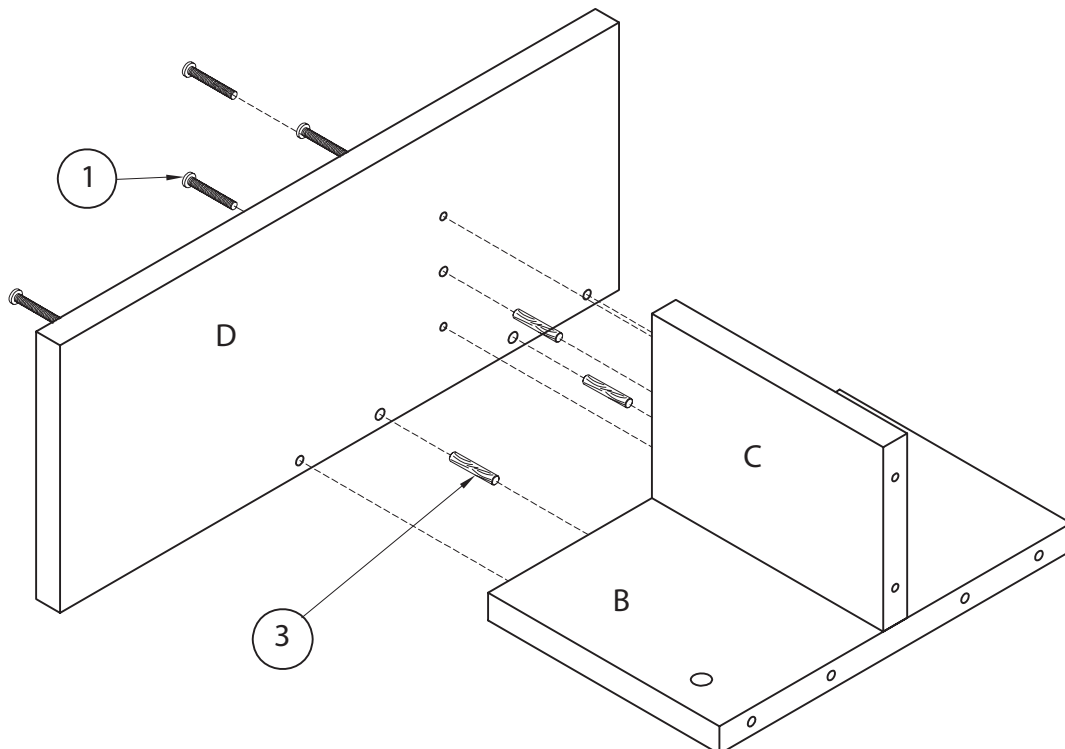
Parts



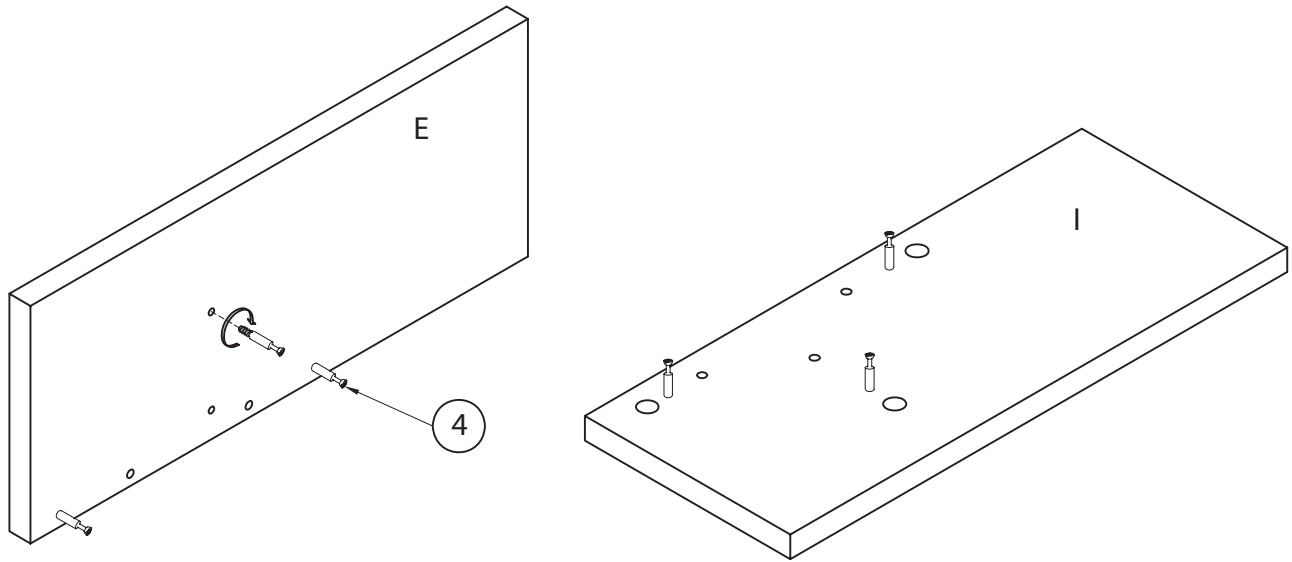
1. Hold panel (B) against panel (C). Insert dowel (3) into holes as shown in the drawing below. Next align panel (B) and panel (C) with panel (A). Press firmly together. Insert bolt (1) through panel (A) and tighten with 4mm hex key (2). This will be the Bottom assembly.



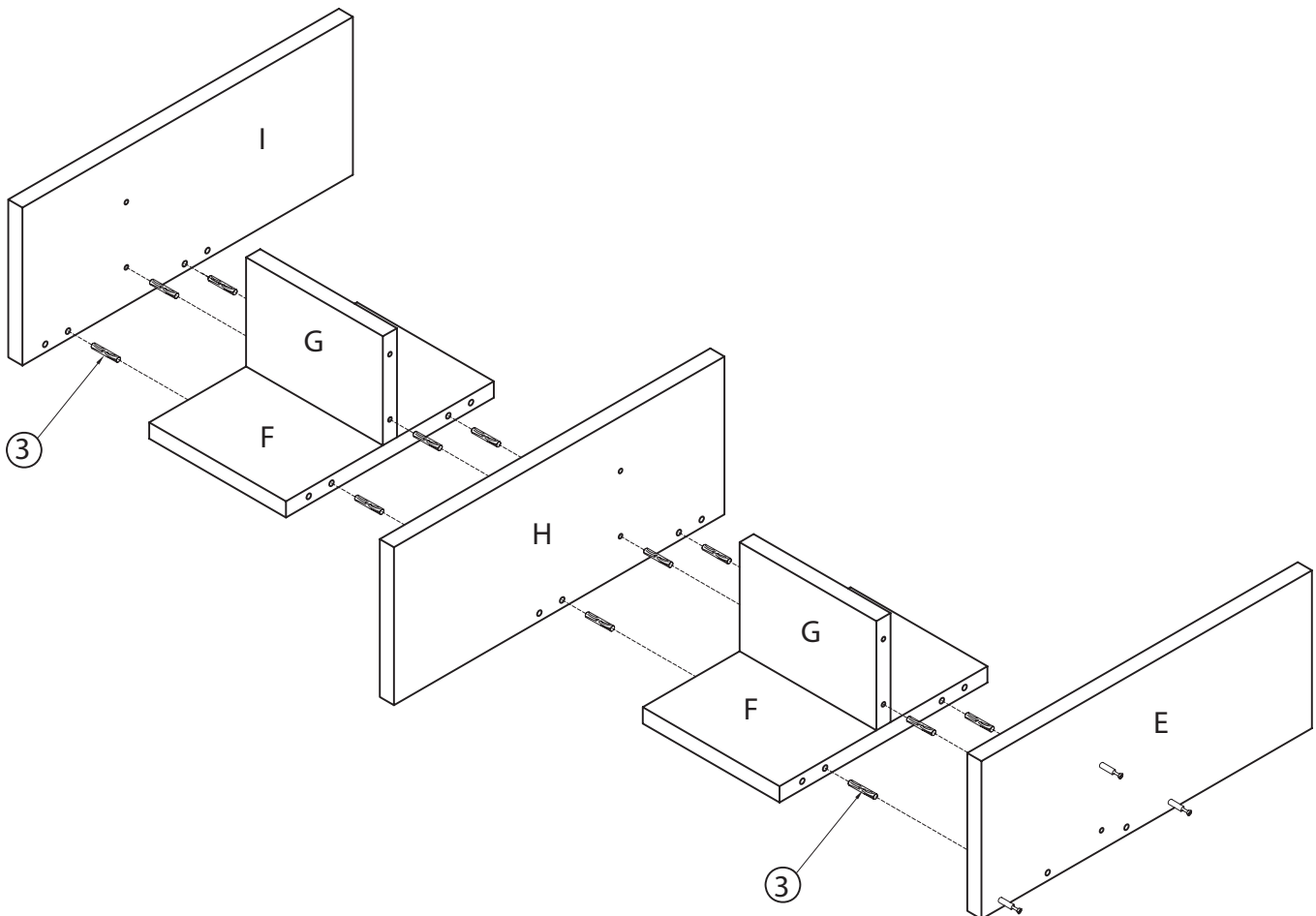
2. Hold panel the remaining panel (B) against the remaining panel (C). Insert dowel (3) into holes as shown in the drawing below. Next, align these with panel (D). Press firmly together. Insert bolt (1) through panel (D) and tighten with 4mm hex key (2). This will be the Top assembly.



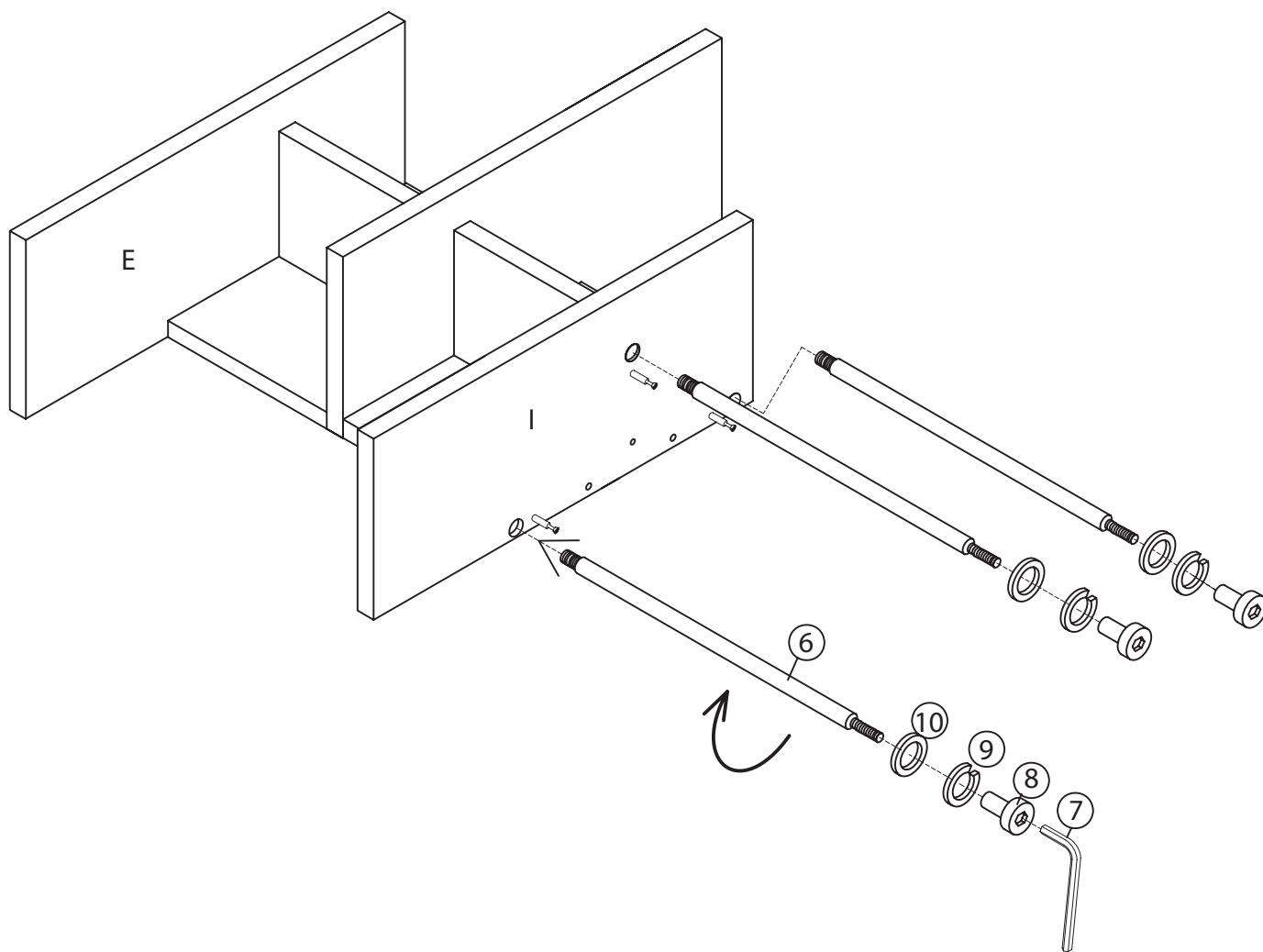
3. Insert can bolt (4) into panel (E) and panel (I) as shown in the drawing below.



4. Align panels (G) and panels (F). Insert dowels (3) as shown. Align panel (I), (H), and (E) as the drawing shows below. Press firmly to make sure the panels are fully assembled.

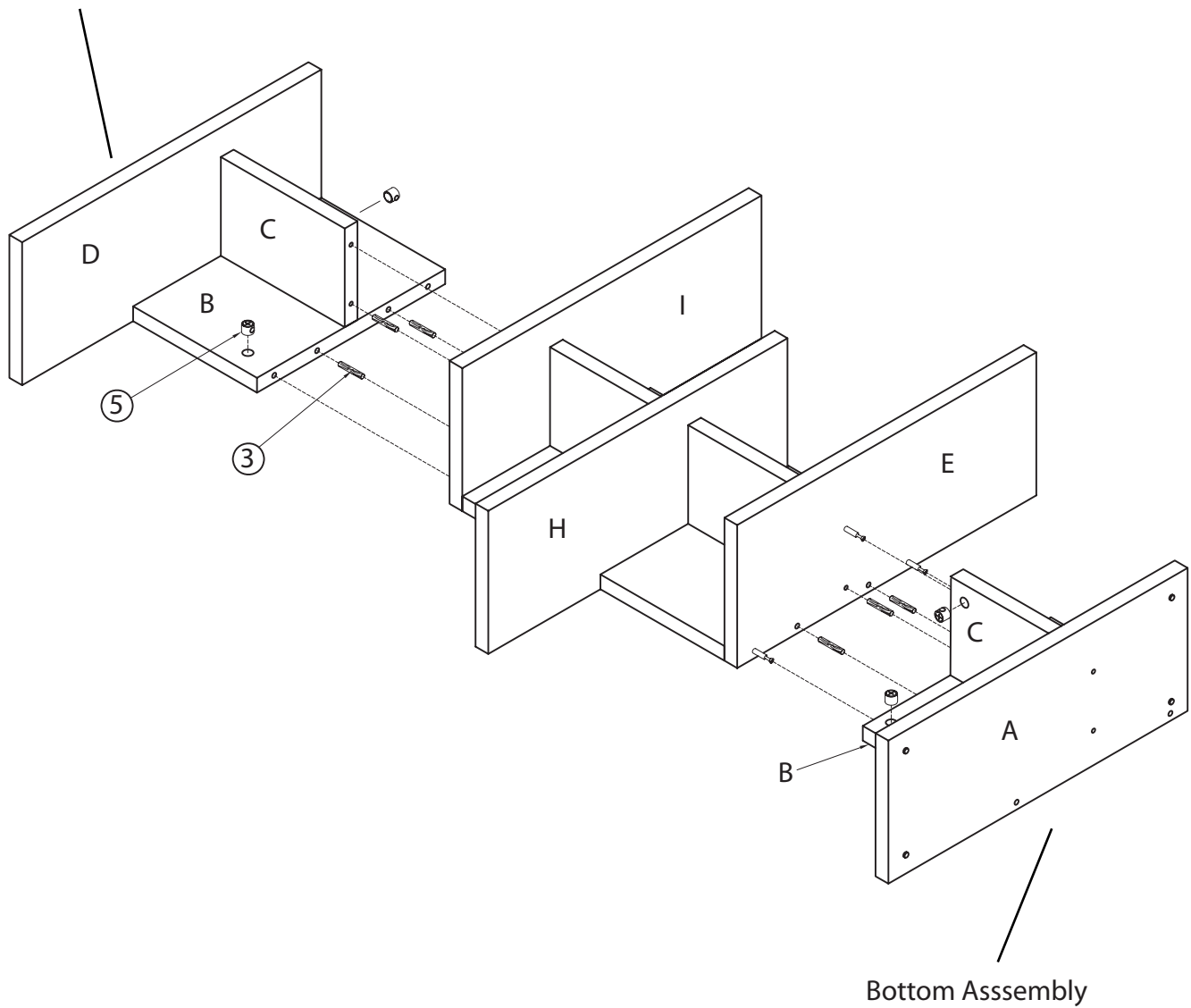


5. Insert metal rod (6) through assembly from step 4. Align flat washer (8), lock washer (9), and cap nut (10). tighten with 5mm hex key (7).



6. Insert dowels (3) into panels (B). Insert cam locks (5) into panels (B) and panels (C). Align the three assembled sections together. Press firmly together. Tighten cam locks (5) with a phillips head screwdriver. Stand zig zag modular unit upright.

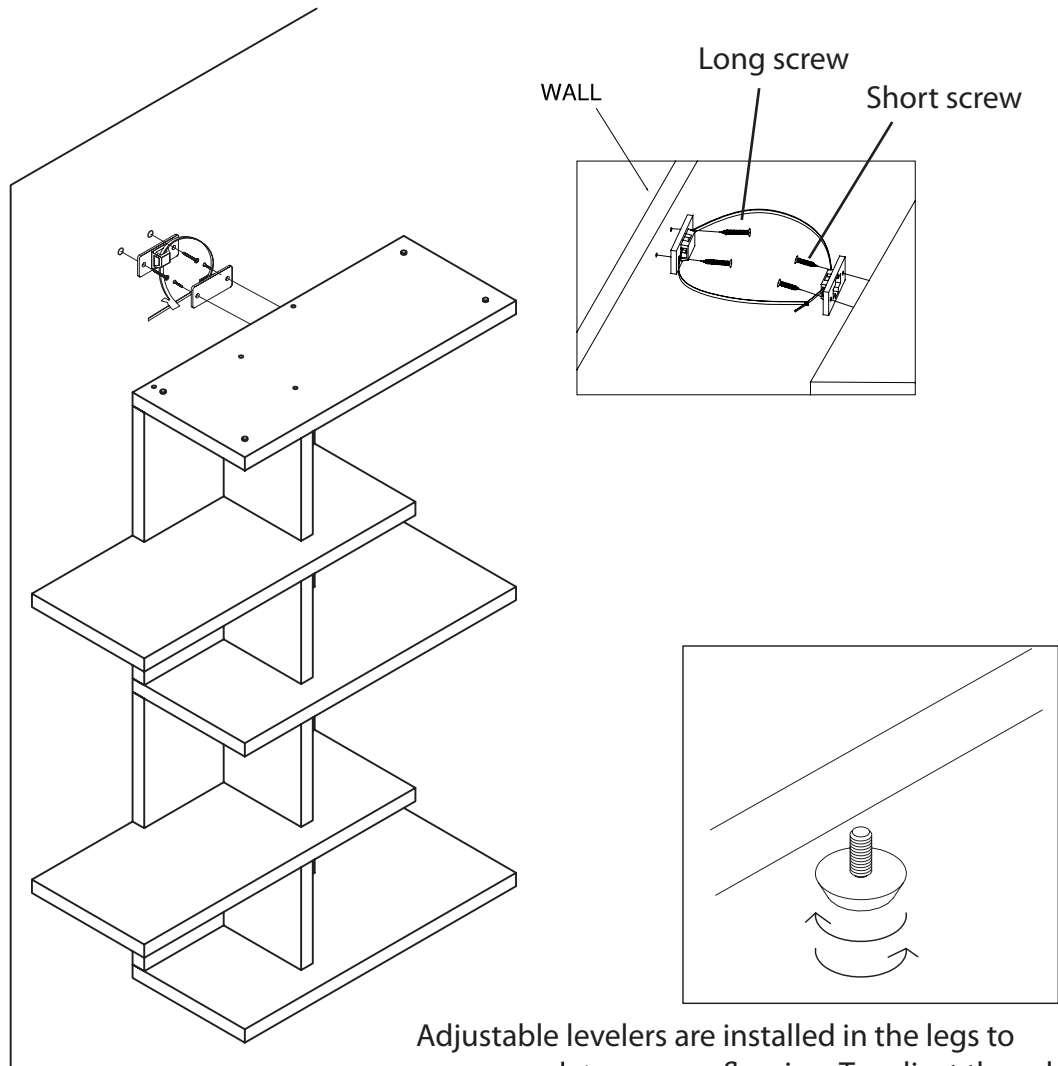
Top Assembly



NOTICE: To prevent injury and property damage from unexpected tipping of furniture, we highly recommend installation of the anti-tip kit included with this product.

Attaching unit to wall with anti-tip kits.

1. Determine where the unit is to be placed and mark location on the wall for the mounting bracket screw holes. They should be placed approximately 1" below the top on the back of the unit.
2. Attach the mounting bracket vertically to the wall by inserting the long screws provided through the holes in the bracket and tightening securely using screwdriver. Screws must penetrate wall studs for proper installation.
3. Next using the short screws attach the 2nd bracket to the back of the unit top.
4. Lace the nylon strap down through the brackets. Slide the thin end of the strap through the receiving end of the nylon strap. Pull to tighten tower snug against wall.



Adjustable levelers are installed in the legs to accommodate uneven flooring. To adjust these levelers, simply turn them counterclockwise to raise the leg.

#### CARE INSTRUCTIONS

Hardware may loosen overtime. Periodically check that all connections are tight.

Wipe with a soft, dry cloth. To protect finish, avoid the use of chemicals and household cleaners.