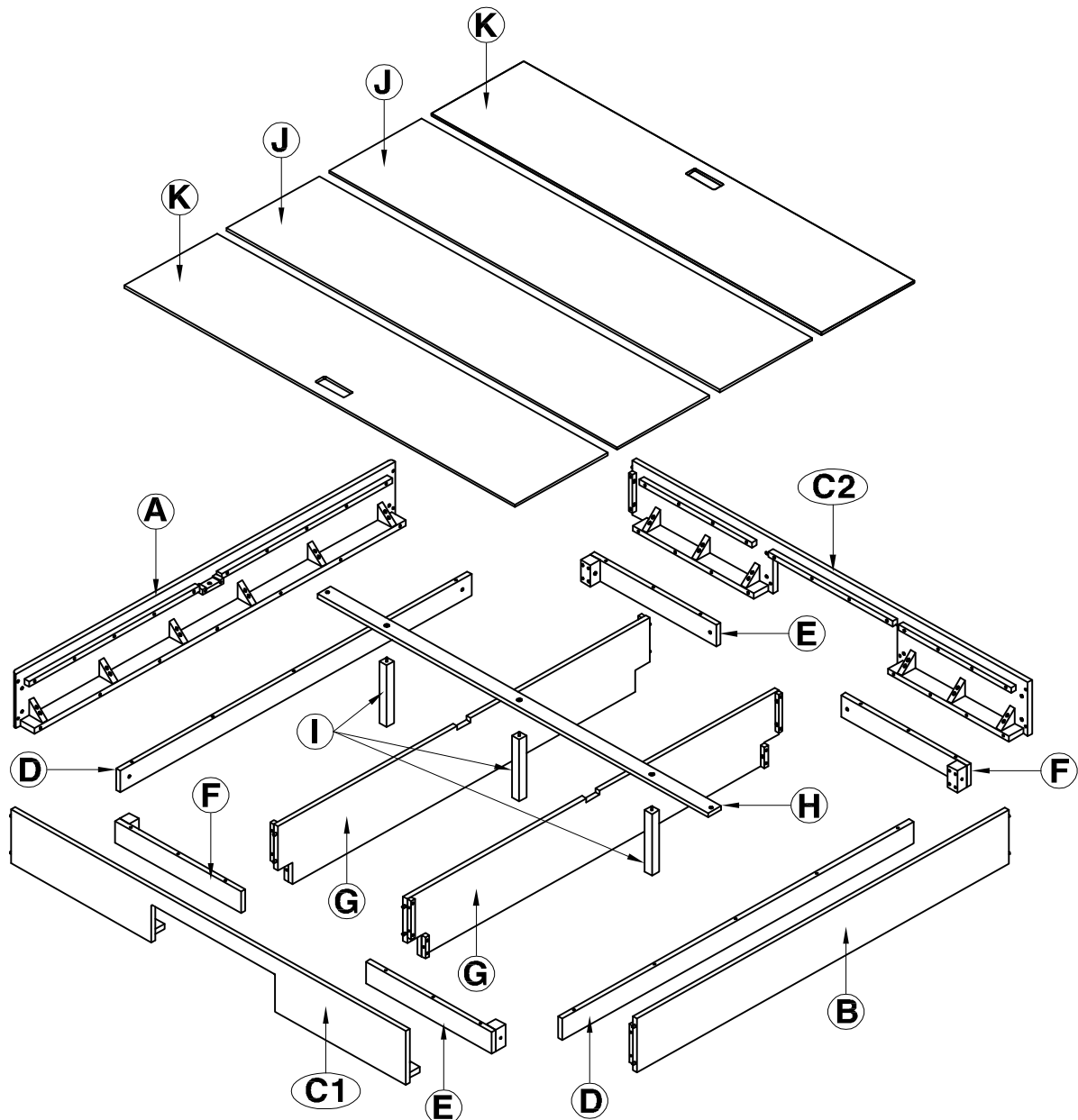
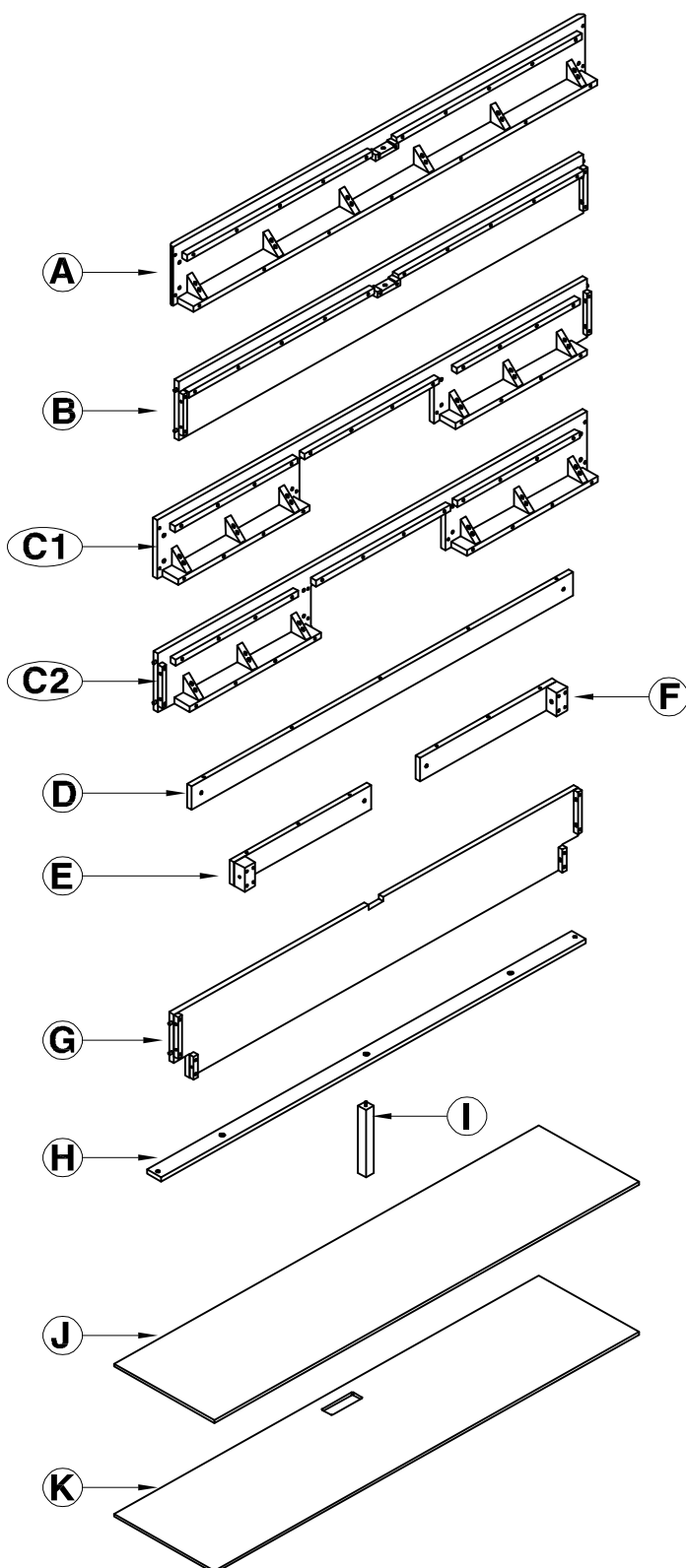


- ! Do not throw away any of the packaging materials until the assembly is complete.
- ! To protect the finish, assemble this item on a soft surface, such as cardboard or carpet.
- ! Proper assembly of this item requires 2 people.

CARE INSTRUCTIONS:

Hardware may loosen over time. Periodically check that all connections are tight. Wipe with a soft, dry cloth. To protect the finish, avoid the use of chemicals and household cleaners. All hot serving dishes should be placed on a trivet or pad. Any liquid spilled onto the table should be cleaned up immediately with a damp cloth.


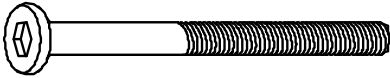

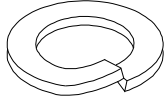
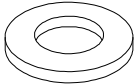




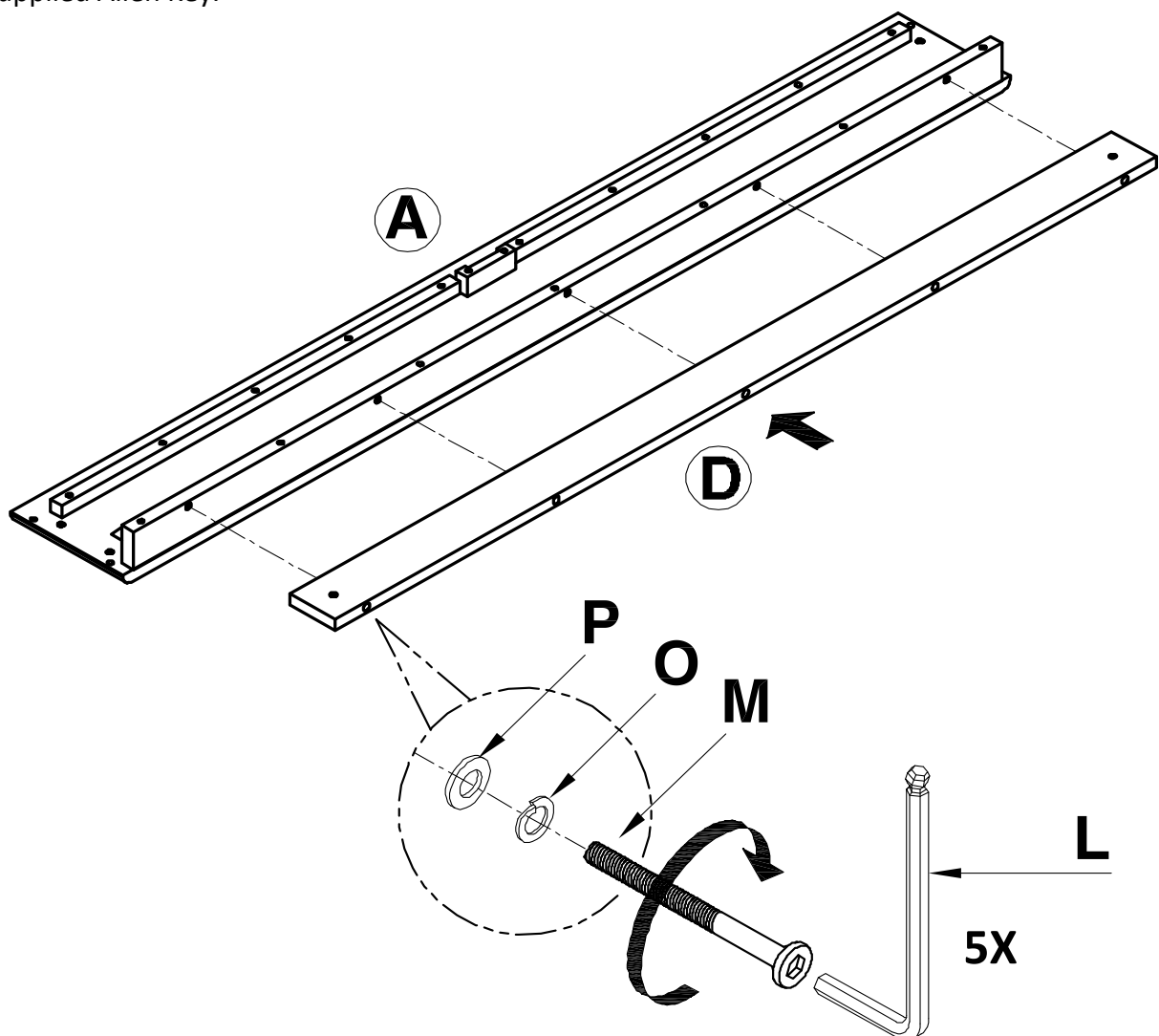
Parts:

A	Footboard	1x
B	Headboard	1x
C1	Side Rail Right	1x
C2	Side Rail Left	1x
D	Long Apron	2x
E	Short Apron Right	2x
F	Short Apron Left	2x
G	Divider	2x
H	Center Support Rail (Not Required for Full bed)	1x
I	Center Support Leg (Not Required for Full bed)	3x
J	Center Top Panel (Full bed has 1pc only)	2x
K	Side Top Panel	2x

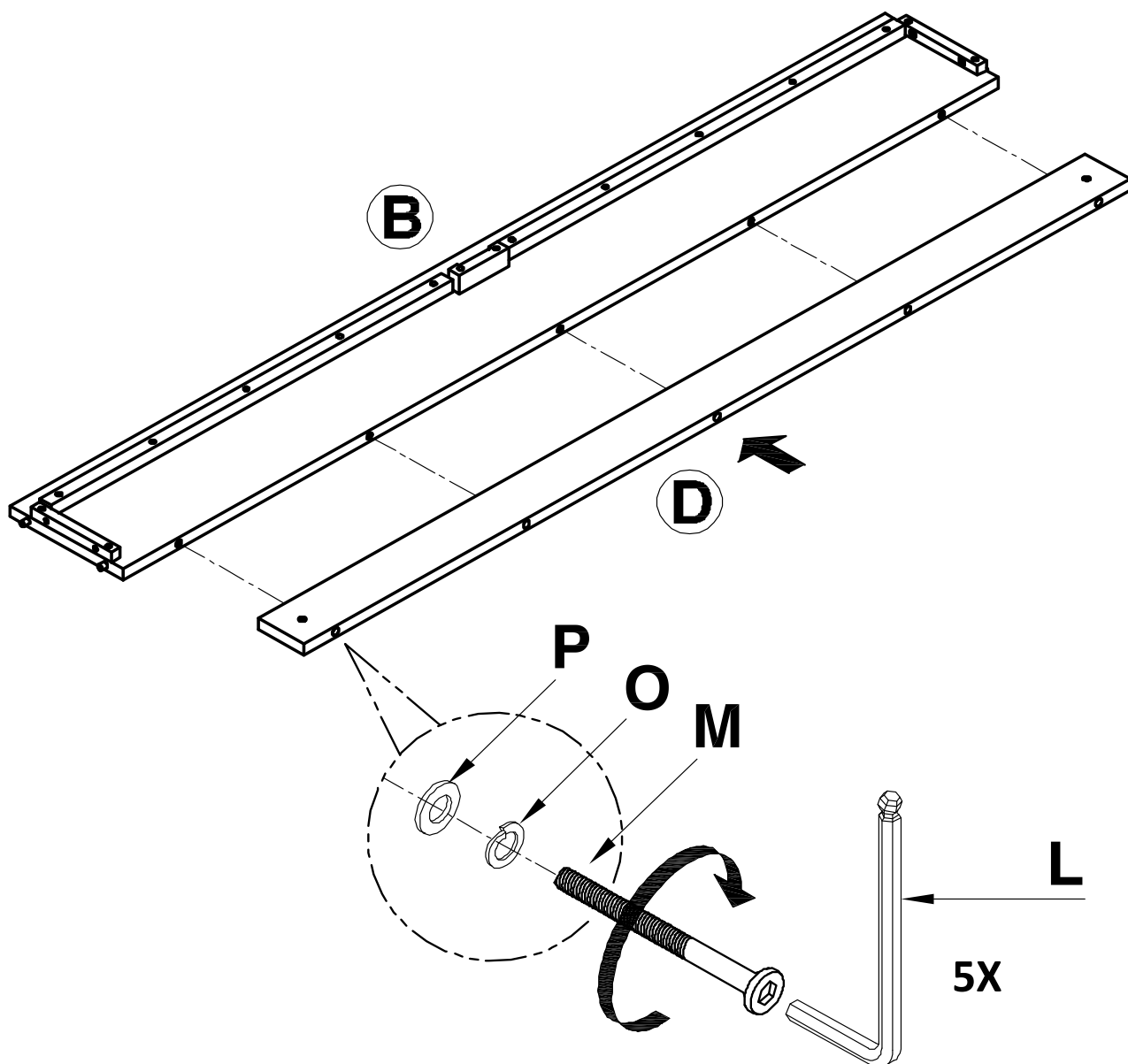
PARTS:

<p>L</p>  <p>Allen Key 1x</p>	<p>M</p>  <p>Bolt M6x80mm 22x</p>
<p>N</p>  <p>Bolt M6x30mm 26x</p>	<p>O</p>  <p>Spring Washer (M6) 48x</p>
<p>P</p>  <p>Flat Washer (M6) 48x</p>	

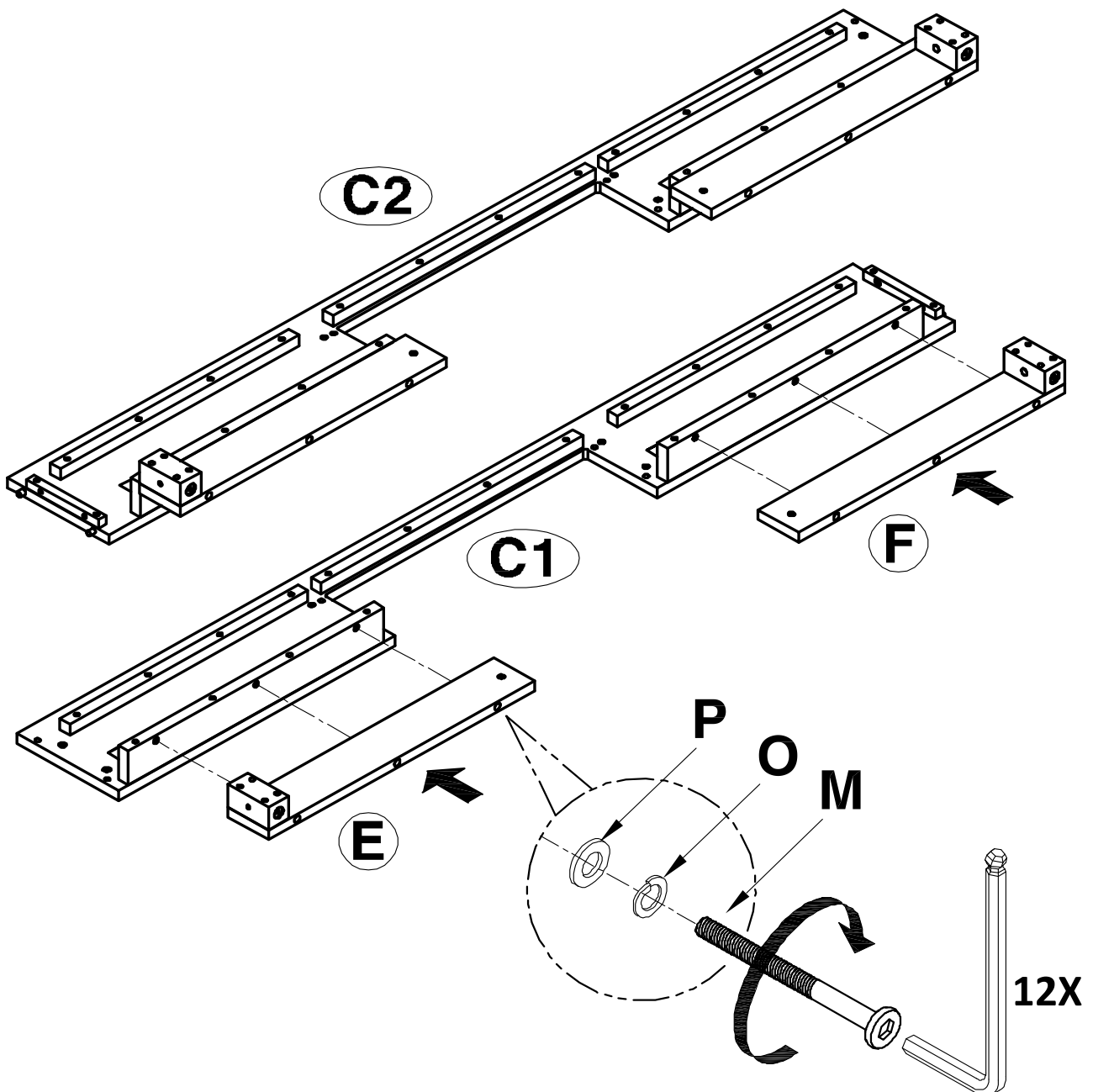
1. Attach Long Apron (D) to Footboard (A). Insert Bolt (M) with Washers (O&P) to secure with the supplied Allen Key.



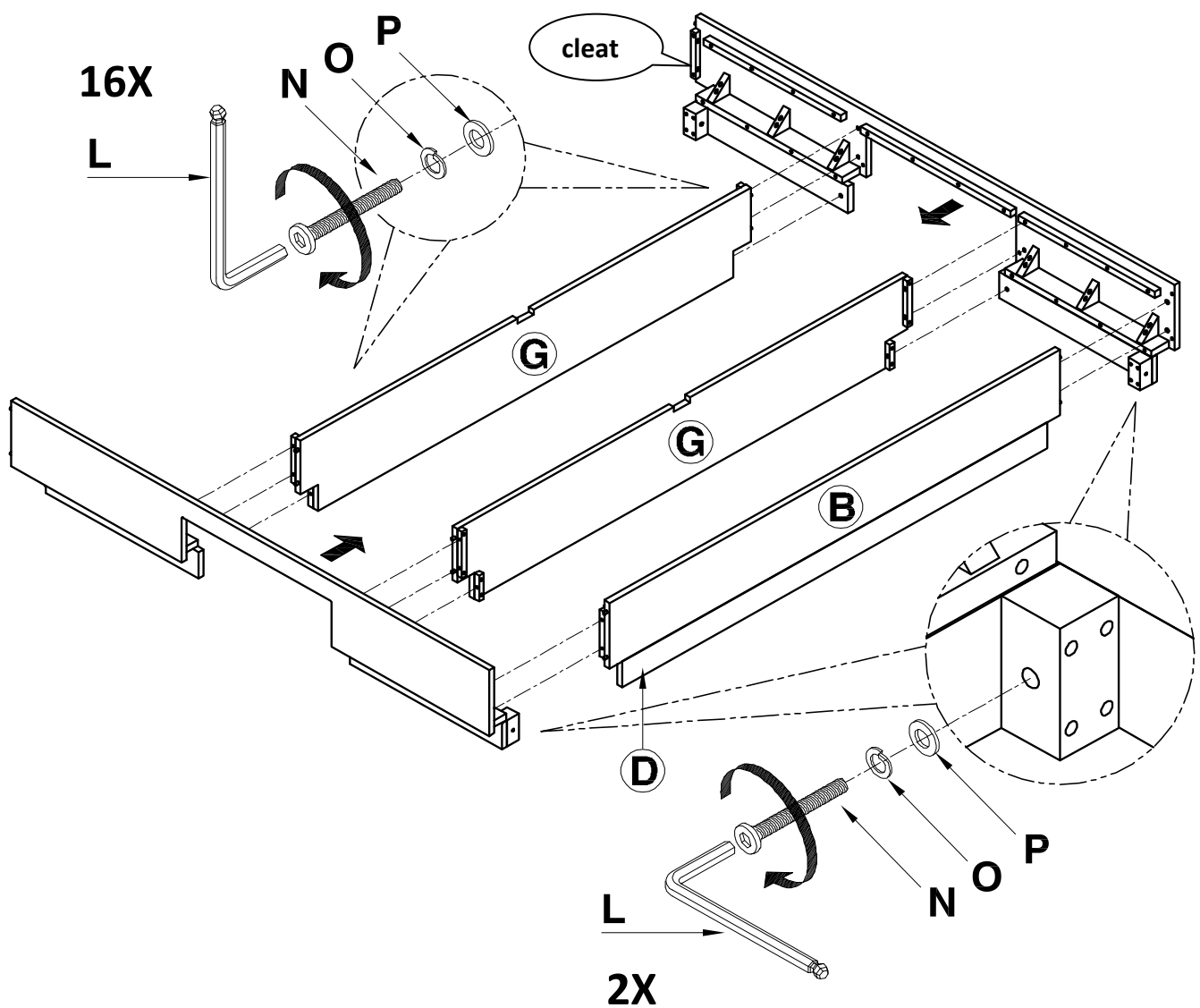
2. Attach the remaining Long Apron (D) to Headboard (B). Insert Bolt (M) with Washers (O&P) to secure with the supplied Allen Key.



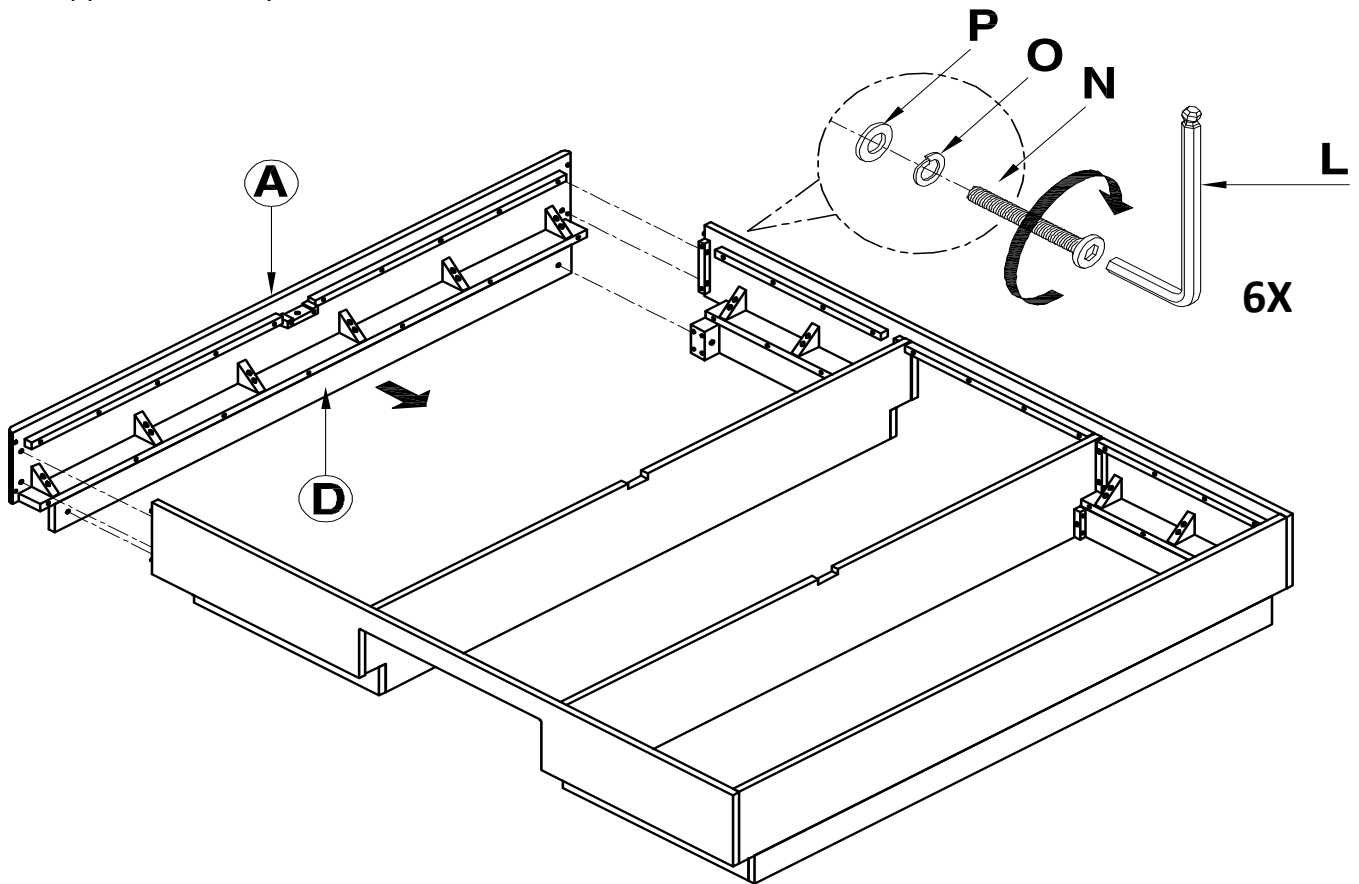
3. Attach Short Apron Left/Right (E&F) to each Side Rail (C1 & C2). Insert Bolt (M) with Washers (O&P) to secure with the supplied Allen Key.



4. Connect Headboard (B) and Dividers (G) to one assembled Side Rail with Bolt (N) and Washers (O&P). Then attach the other assembled Side Rail to the Headboard and Dividers with Bolt (N) and Washers (O&P). Secure with the supplied Allen Key.

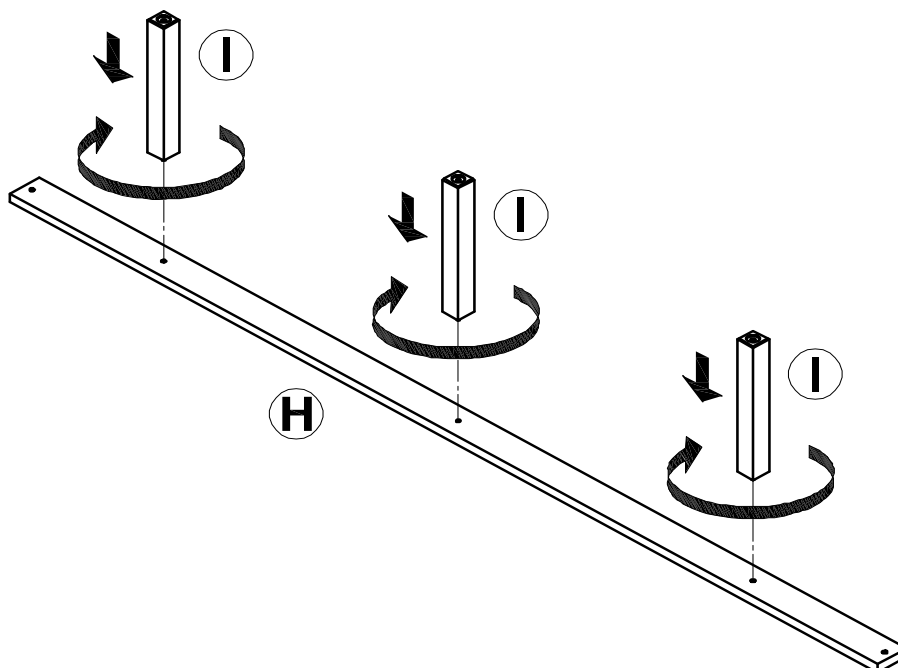


5. Attach Footboard (A) to the assembled piece. Insert Bolt (N) with Washers (O&P) to secure with the supplied Allen Key.

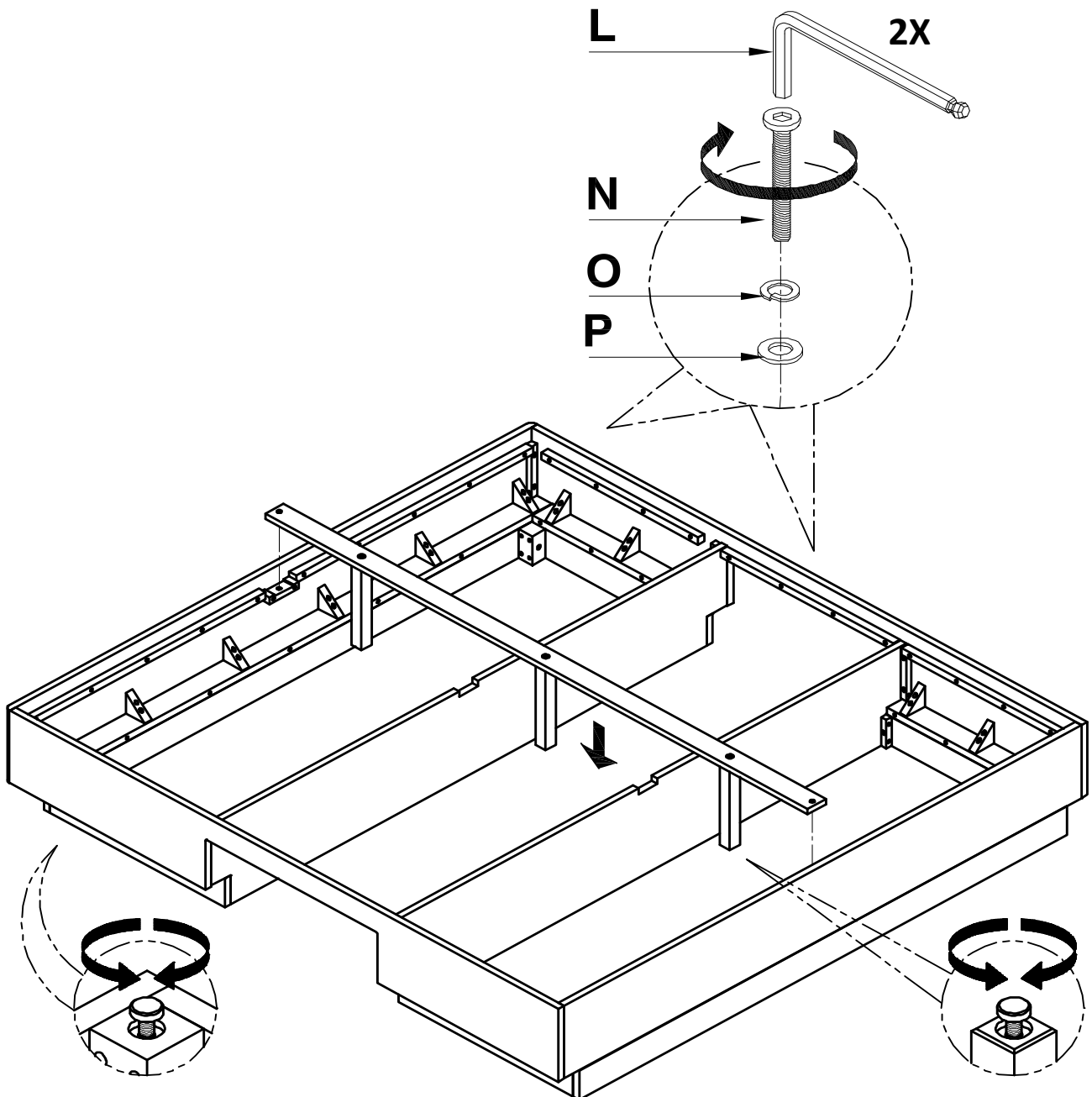


NOTE: FOR FULL SIZED BED, SKIP TO STEP#8.

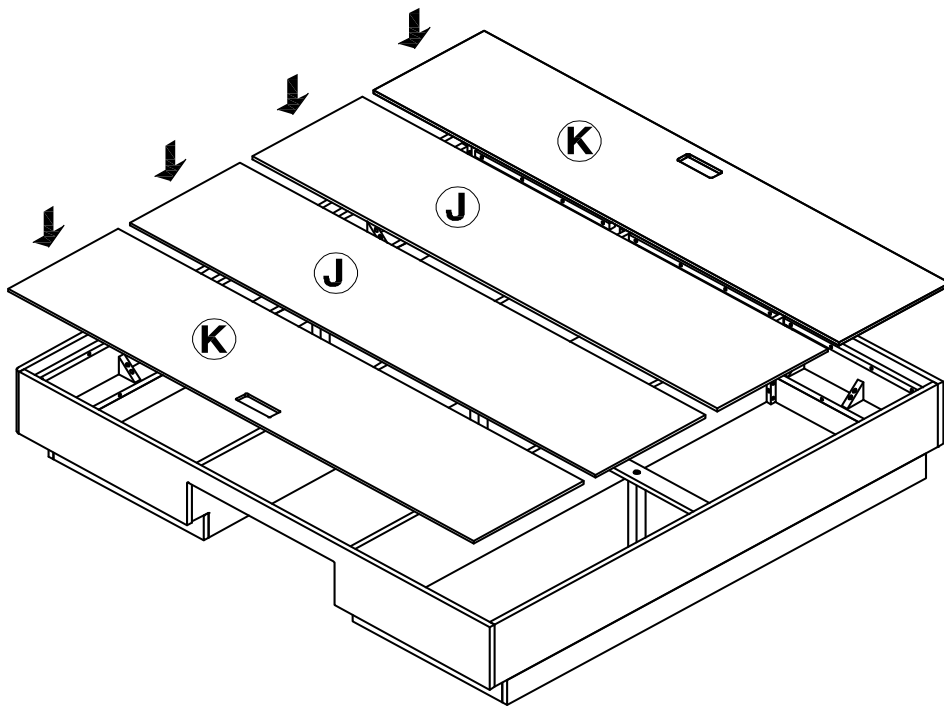
6. Align the Center Support Legs (I) to the Center Support Rail (H) as shown and screw them into place by turning them clockwise. DO NOT OVERTIGHTEN!



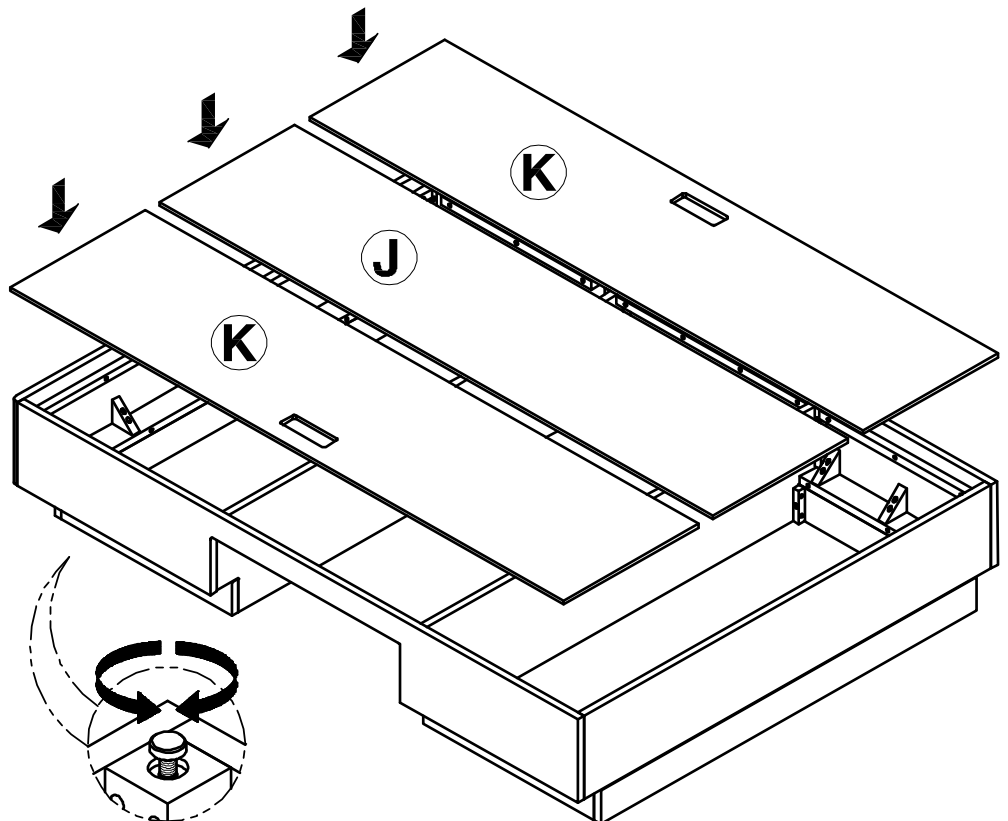
7. Attach the Center Support Rail with Legs to cut-outs on the Headboard/Footboard and Dividers. Adjust levelers to keep bed level when needed. Insert Bolt (N) with Washers (O&P) to secure to headboard and footboard with the supplied Allen Key.



8. Place Top Panels (J&K) onto the bed platform as shown below.



QUEEN/KING BED



FULL BED