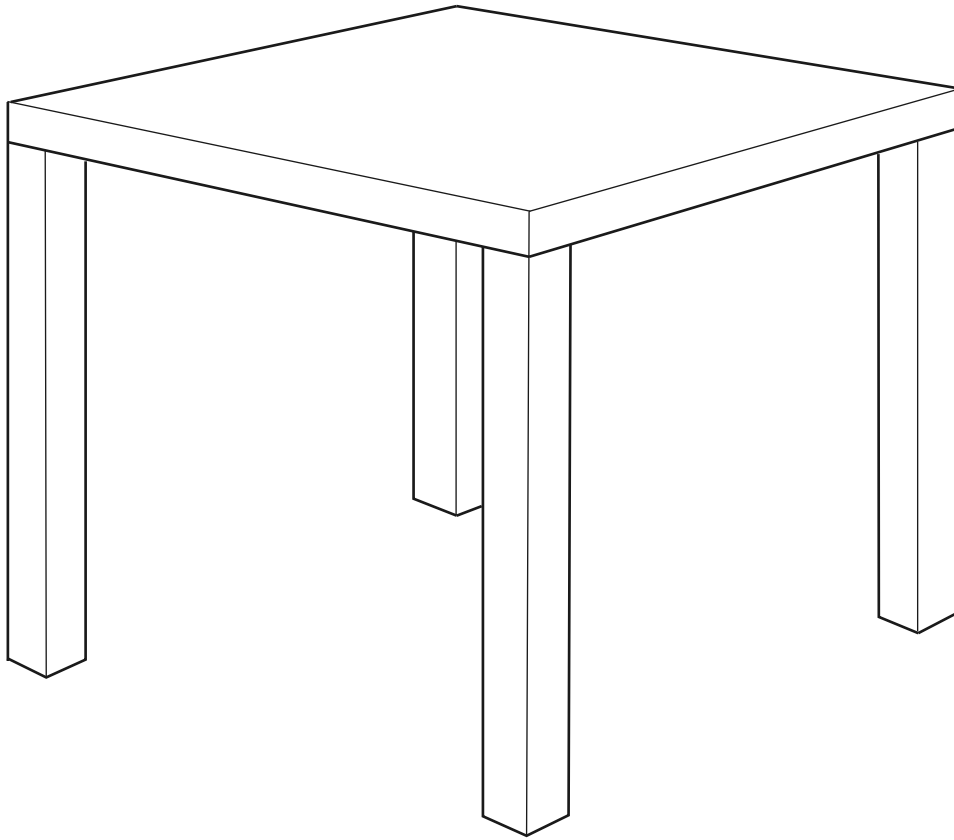


west elm : parsons dining table — square

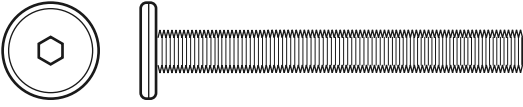
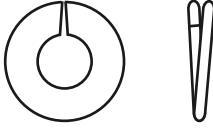
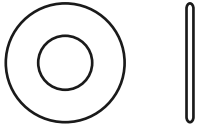

assembly instructions



! Do not throw away packaging materials until assembly is complete.

! Assemble this item on a soft surface, such as cardboard or carpet, to protect the finish.

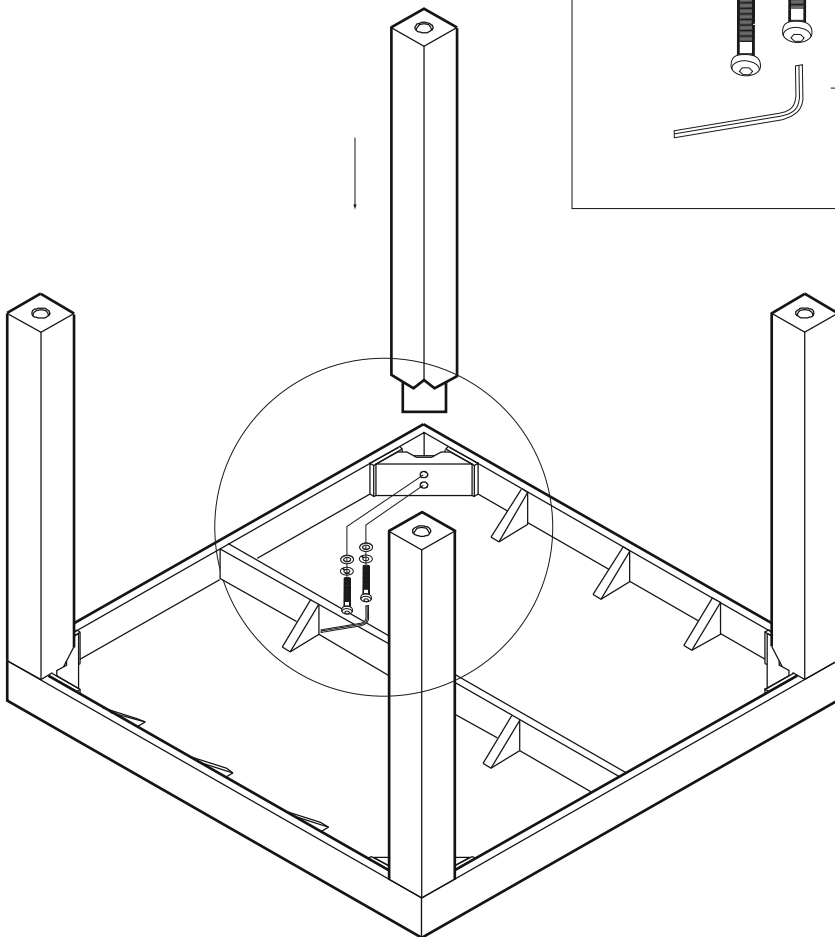
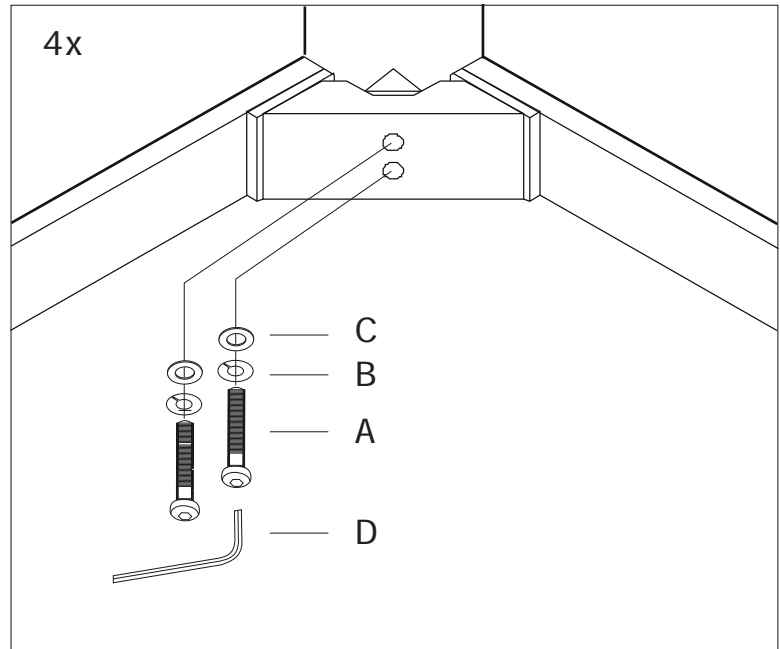
! Proper assembly of this item requires 2 people.

<p>A</p>  <p>bolt: 5/16" dia x 2 1/2" 8x</p>	<p>B</p>  <p>lock washer 8x</p>
<p>C</p>  <p>metal washer 8x</p>	<p>D</p>  <p>allen key 1x</p>

west elm : parsons dining table — square

assembly instructions

1. Place the table top upside down.
2. One-by-one, position and attach the legs as shown. Attach the legs by inserting metal washer (C) and lock washer (B) with bolt (A). Insert into pre-drilled holes as shown. Tighten with allen key (D).



CARE INSTRUCTION

Hardware may loosen over time.
Periodically check that all connections
are tight.

Wipe with a soft, dry cloth. To protect
finish, avoid the use of chemicals and
household cleaners.