

### CAUTION:

- **Do not install into a ceiling that contains radiant heating.**
- **The weight of the shade must not exceed 2 pounds.**

### Important Safety Instructions:

- These instructions are provided for your safety. It is very important that they are read carefully and completely before beginning the assembly and installation of this lighting fixture.
- The Toggle Hooks (B) are meant for drywall mounting only. Screw Hooks (A) are meant for direct wood or ceiling-joint mounting (or through drywall to wood joist) only. If the ceiling is made from concrete, brick or plaster, please consult your local hardware store for assistance.
- The installation is not be made on a radiant-heating ceiling.
- We strongly recommend that a professional electrician install all direct wire fixtures.
- Wood ceiling joist mounting is recommended. Use proper hardware for your ceiling type.
- The Toggle Hooks (B) or Screw Hooks (A) is used to engage the Plastic Clips (C) only and not the electric cord.
- For your safe, it is strongly recommended that two people install the lighting fixture.
- The Cordset Pendant (Plug-in) lighting fixture is capable of being used as a fixed luminaire (hardwire) when used with the appropriate West Elm conversion kit, professional installation is recommended.
- Light bulb should be centred inside the pendant shade. Making sure it does not touch the shade sides.
- This fixture has been rated for up to one (1) **100-Watt maximum TYPE A standard incandescent light bulb**(not included) or one (1)**23-watt compact fluorescent light bulbs** (not included) or one (1)**9-watt SBLED LAMP** (included). To avoid the risk of fire, do not exceed the recommended lamp wattage.
- **Save these instructions.**
- Use with approved West Elm Shades only, having a minimum opening diameter of 4 inches and a minimum lamp-to-shade spacing of 3-1/2 inches.

### WARNING:

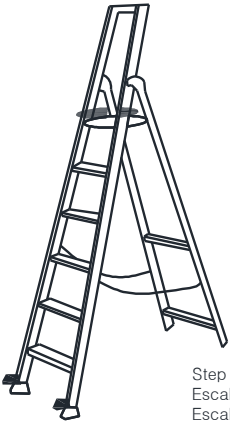
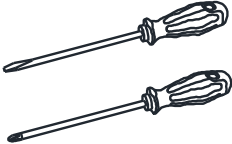

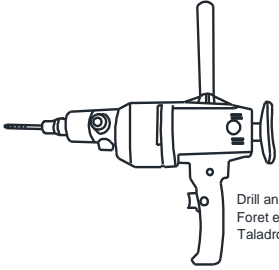



- **To reduce the risk of fire, electrical shock or personal injury, always turn off light fixture and allow it to cool prior to replacing light bulb.**
- **Do not touch bulb when fixture is turned on. Do not look directly at lit bulb.**
- **Keep flammable materials away from lit bulb.**
- **Do not install into a ceiling that contains radiant heating.**

### Pre-assembly:

- Remove all parts and hardware from box along with any plastic protective packaging.
- Do not discard any contents until after assembly is complete to avoid accidentally discarding small parts or hardware.
- For your safety and convenience, assembly by two people is recommended.

# Pendant Cord Set Assembly Instructions

**TOOLS REQUIRED (not included):**

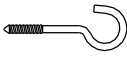
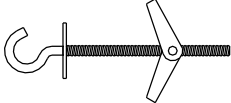
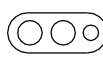
 <p style="text-align: center;">Step Ladder Escabeau Escalera</p>	 <p style="text-align: center;">Phillips Head, Flat Blade Screwdrivers Tournevis "ϕ" et Phillips et "ϕ" et plate Destornilladores Cabeza Phillips y Destornilladores Cabeza Plana</p>	 <p style="text-align: center;">Electrical tape Ruban isolant Cinta Electrica.</p>	 <p style="text-align: center;">Drill and Drill Bit Foret et Perceuse "lectrique" Taladro y Mecha</p>
	 <p style="text-align: center;">Wire Cutter/Stripper Pince coupe-fil/ "ϕ" et hud" Cortador de Cable</p>	 <p style="text-align: center;">Pencil Crayon L' piz</p>	
 <p style="text-align: center;">Steel Wire Cutter Acier oupe-fil acero cortador de Cable</p>			

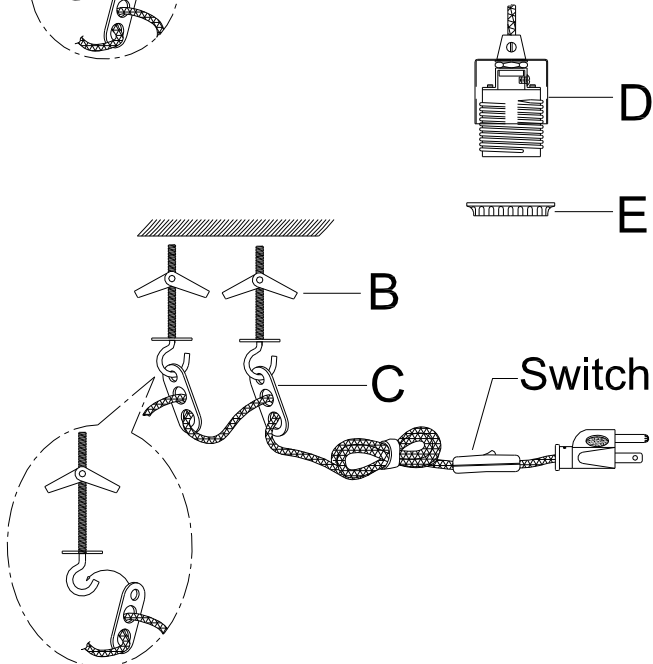
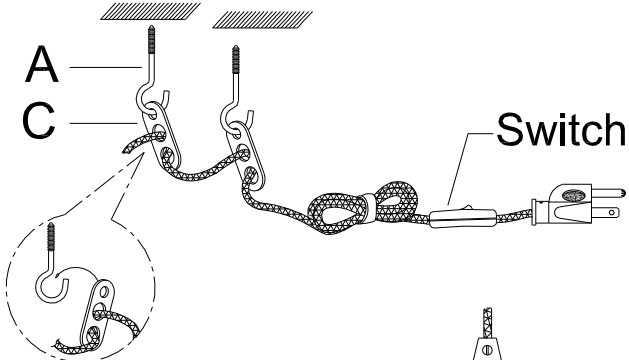
**Parts Included:**

- (D) Socket (1)
- (E) Socket Ring (1)

**Hardware Enclosed:**

- (A) Screw Hooks (2)
- (B) Toggle Hooks (2)
- (C) Plastic Clips (2)

<b>A</b>		2X
<b>B</b>		2X
<b>C</b>		2X

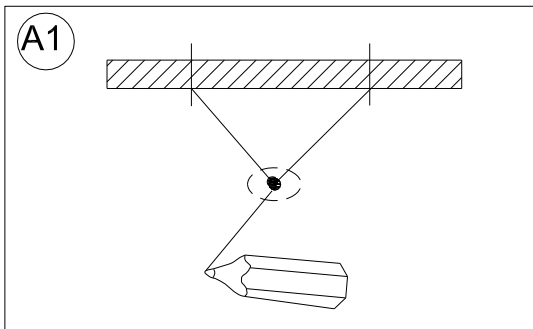


# Pendant Cord Set Assembly Instructions

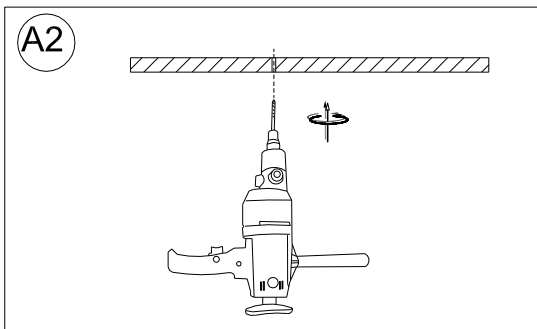
## Assembly & Installation Instructions:

- Carefully unpack all fixture parts and hardware and lay them on a clear workspace.
- Determine the location of the Cordset Pendant (Plug-in) on the ceiling making sure that an outlet is located within reach.

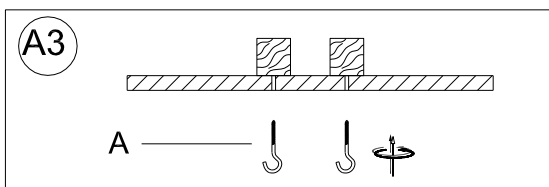
### For mounting to joint:



1. If needed, use a "stud finder" (not included) to locate the ceiling wooden joists and mark their locations on the ceiling using a pencil or a piece of tape. Mark the 2 slot locations of Screw Hooks (A) on ceiling joists at the desired locations

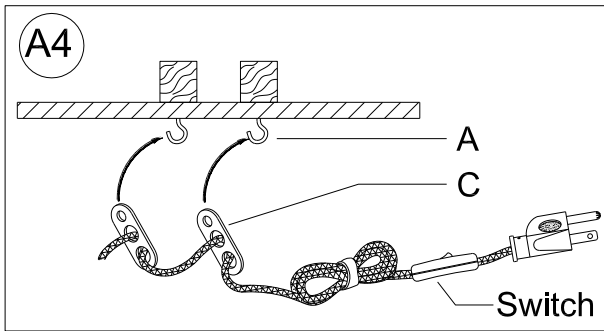


2. Pre-drill pilot holes at the marked locations. This will make installing the Screw Hooks (A) onto the wall easier.

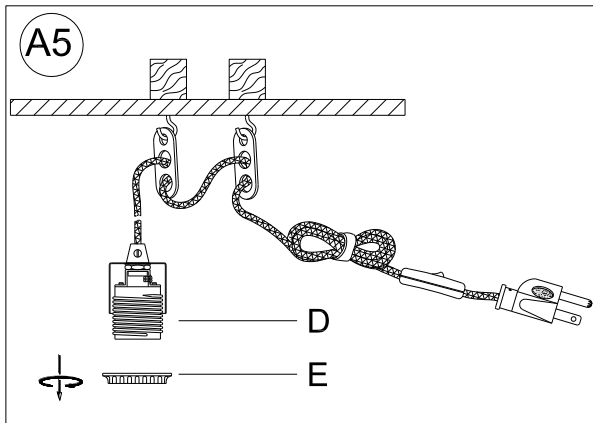


3. Insert Screw Hooks (A) into ceiling joist at the marked locations. Rotate each clockwise while firmly pressing it into the ceiling. Tighten Screw Hooks (A) securely into wood. If installing through drywall to wood joist, the threaded portion of each Screw Hook (A) will drive itself into the drywall and then into the underlying wooden ceiling joist.

## Pendant Cord Set Assembly Instructions

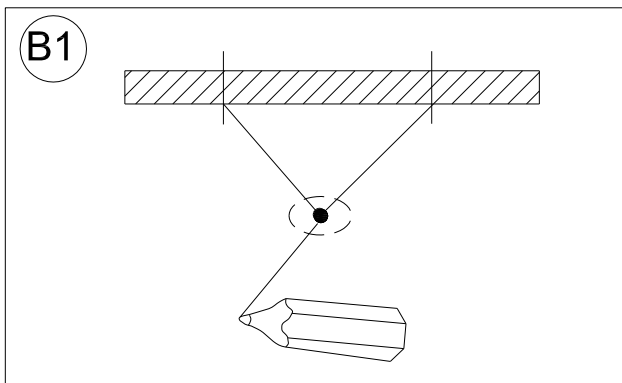


4. Position the Plastic Clips (C) along the cord so that they align with the installed Screw Hooks (A) on the ceiling and carefully fit each Plastic Clip (C) onto each Screw Hooks (A).

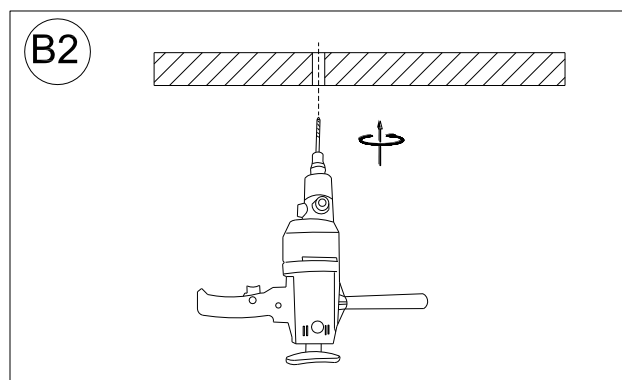


5. Unscrew Socket Ring (E) from Socket (D). Place the shade (not included) onto the Socket (D), and secure the shade by turning the Socket Ring (E) in a clockwise direction until tight. Insert the light bulb into the Socket (D). To avoid the risk of fire, do not exceed the recommended lamp wattage as outlined in page 1.

### For drywall mounting:

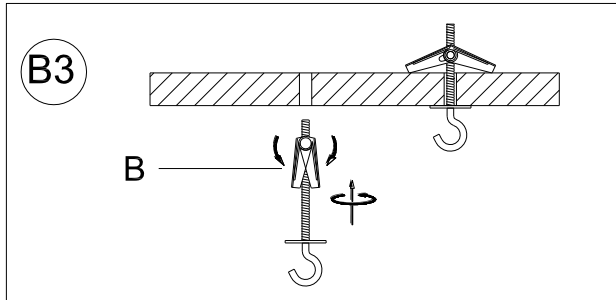


1. Mark the 2 slot locations of Screw Hooks (B) on ceiling at the desired locations.

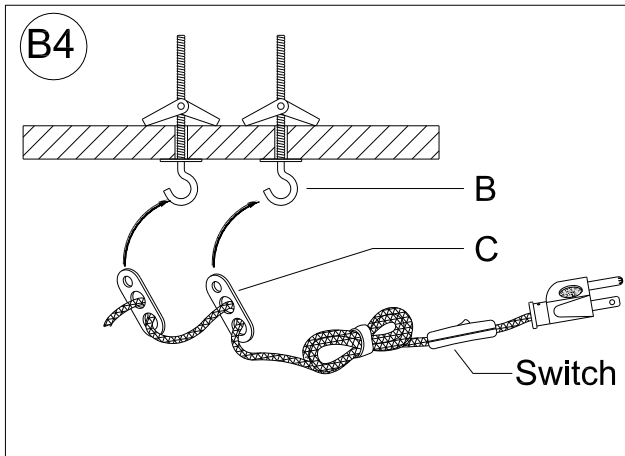


2. Using the drill with the appropriate size drill bit (just large enough to make hole that will allow passage of the folded Toggle Hooks (B)), drill 1 hole in the ceiling at each of the 2 marked slot locations for the Toggle Hooks (B) assemblies.

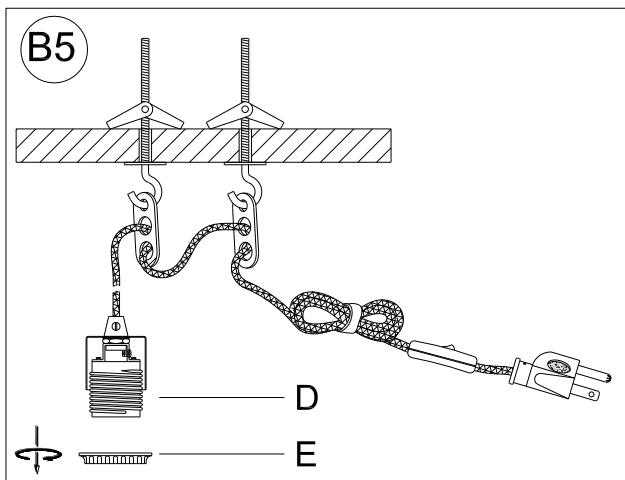
# Pendant Cord Set Assembly Instructions



3. Use the Toggle Hooks (B), inserted through each of the 2 ceiling holes, making sure only the Toggle Hooks (B) are fully inserted into the ceiling and toggle wings are open. Rotate each Toggle Hook (B) clockwise until each flat washer on the Toggle Hook (B) is tight against the ceiling.



4. Position the Plastic Clips (C) along the cord so that they align with the installed Toggle Hooks (B) on the ceiling and carefully fit each Plastic Clip (C) onto each Toggle Hooks (B).



5. Unscrew Socket Ring (E) from Socket (D). Place the shade (not included) onto the Socket (D), and secure the shade by turning the Socket Ring (E) in a clockwise direction until tight. Insert the light bulb into the Socket (D). To avoid the risk of fire, do not exceed the recommended lamp wattage as outlined in page 1.

## Care instructions:

- Wipe clean with a soft, dry cloth or static duster.
- Always avoid the use of harsh chemicals or abrasive cleaners as they may cause damage to the fixture's finish.

Thank you for your purchase  
Stores | catalog | [www.westelm.com](http://www.westelm.com)  
USA 888-922-4119