


! Tools required: 

! Do not throw away packaging materials until assembly is complete.

! Assemble this item on a soft surface, such as cardboard or carpet, to protect finish.

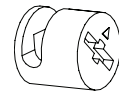
! Proper assembly of this item requires 2 people.

A



wood dowel 16x

B



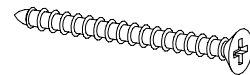
cam lock 12x

C



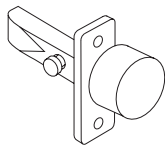
cam screw 12x

D



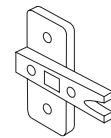
long screws 8x

E



hinge 3x

F



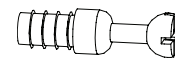
hinge plate 3x

G



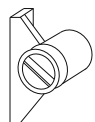
shelf pins 24x

H



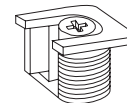
cam pin 1x

I




door catch 2x

J




cam pin lock 1x

K




medium screws 12x

L



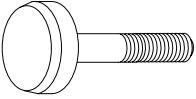
short screws 6x

M



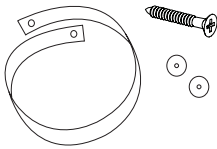
magnet plate 2x

N



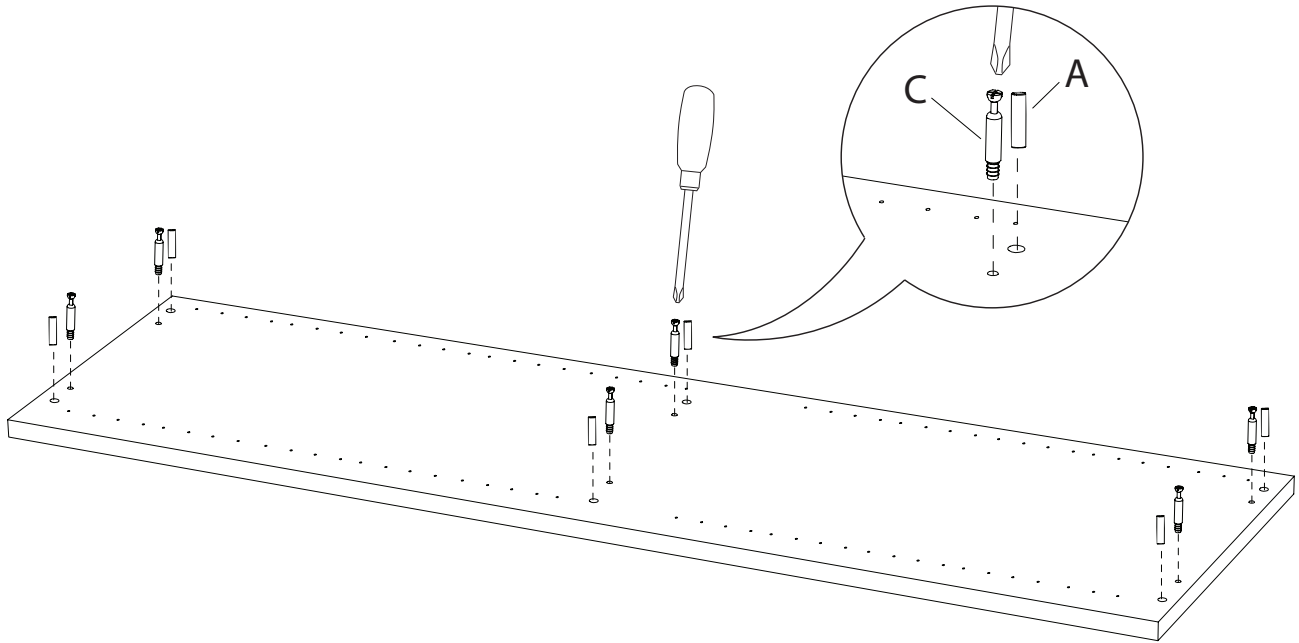
leveling foot 4x

O

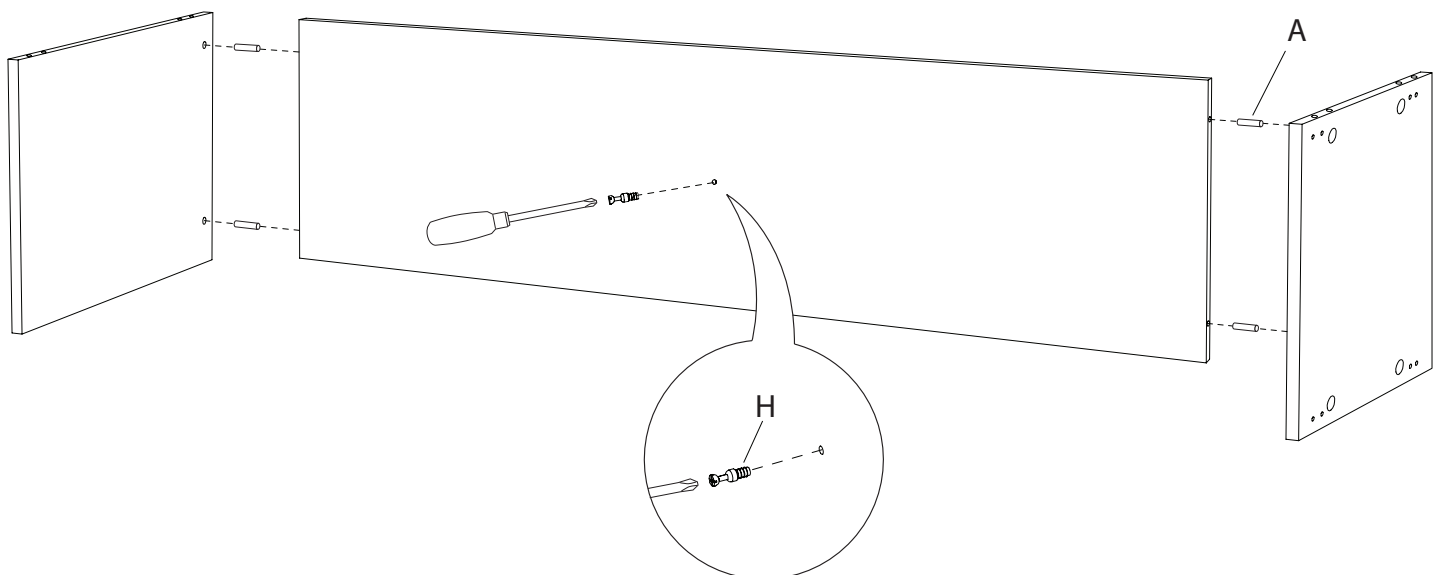


anti-tip kit 1x

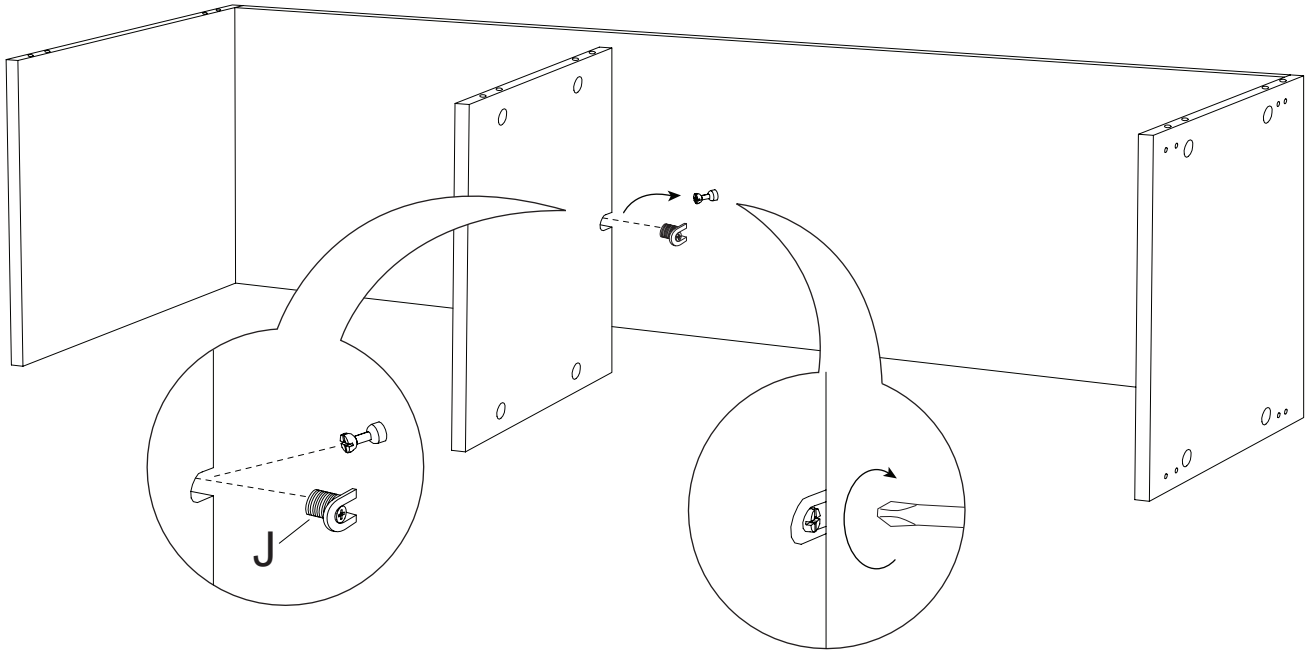
1. Insert dowels (A) and cam screws (C) into both side panels as shown. Tighten cam screws with a phillips screwdriver.



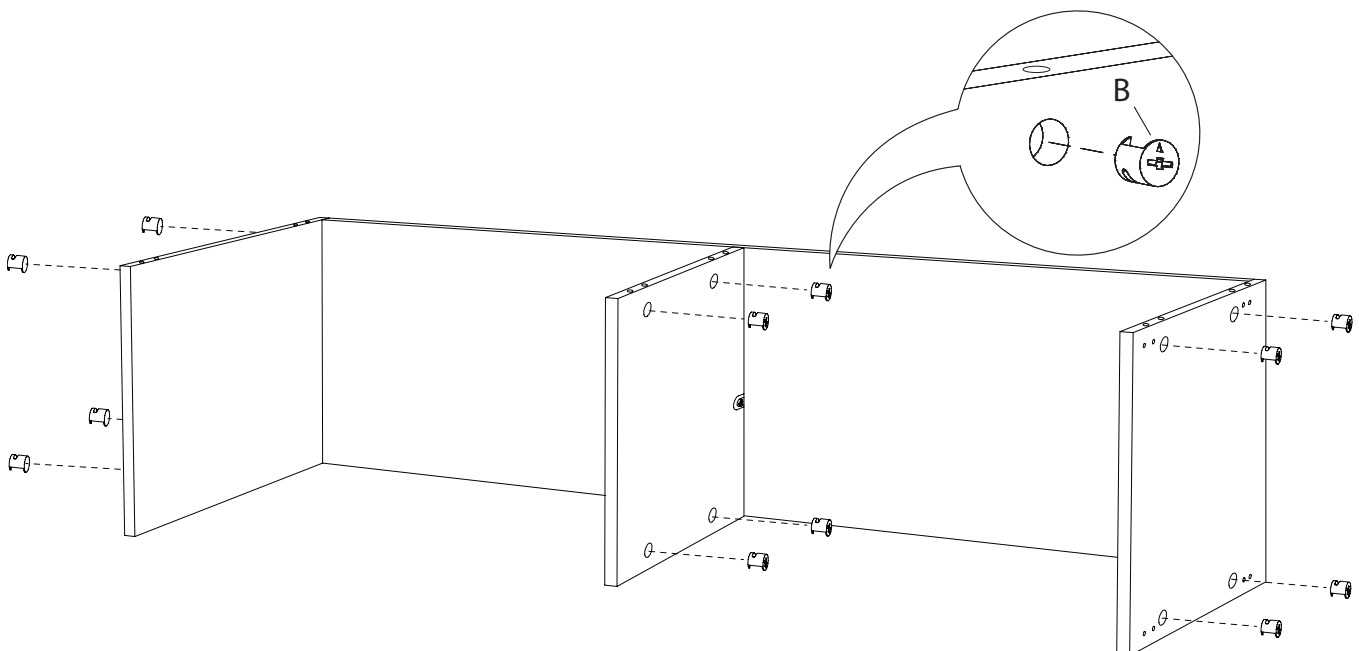
2. Insert dowels (A) into back panel and set into top and bottom panels as shown.
3. Screw cam pin (H) into hole in back panel and tighten with a phillips screwdriver.



4. Push cam pin lock (J) into recess on center shelf.
5. Set center shelf over cam pin and tighten cam pin lock with a phillips screwdriver as shown.

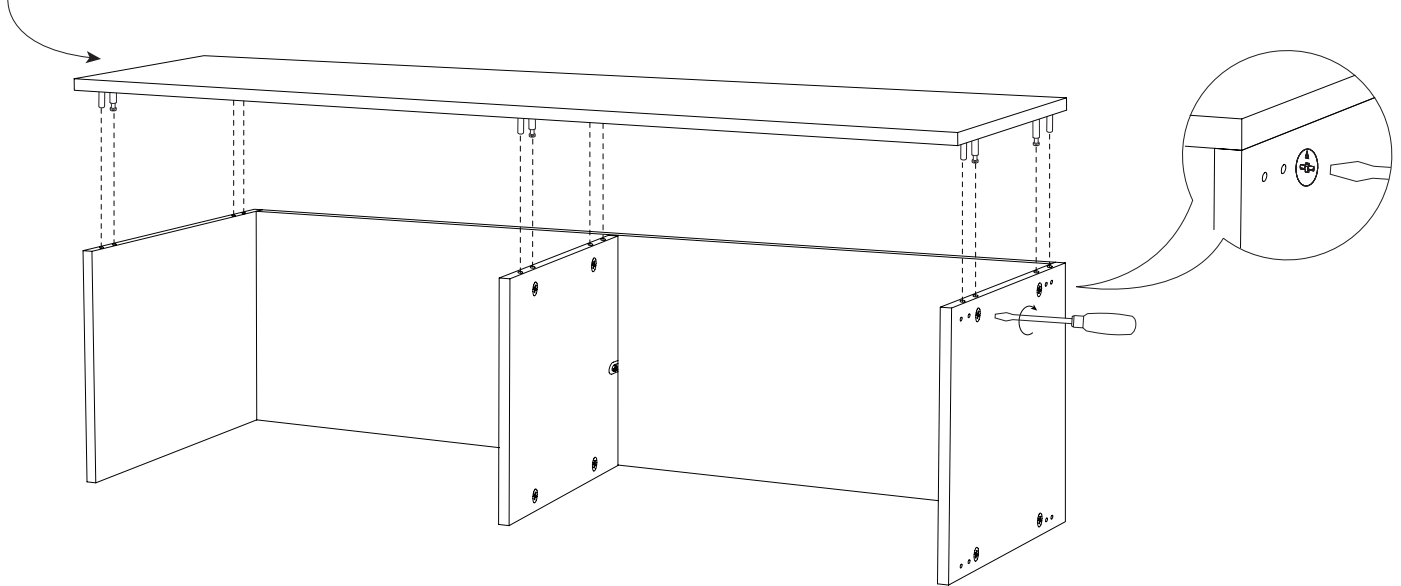


6. Set cam locks (B) into top, bottom, and center shelf panels. Be sure the arrow on the cam locks face towards the hole in the panel edge as shown. This will allow for correct tightening in steps 6 and 7.



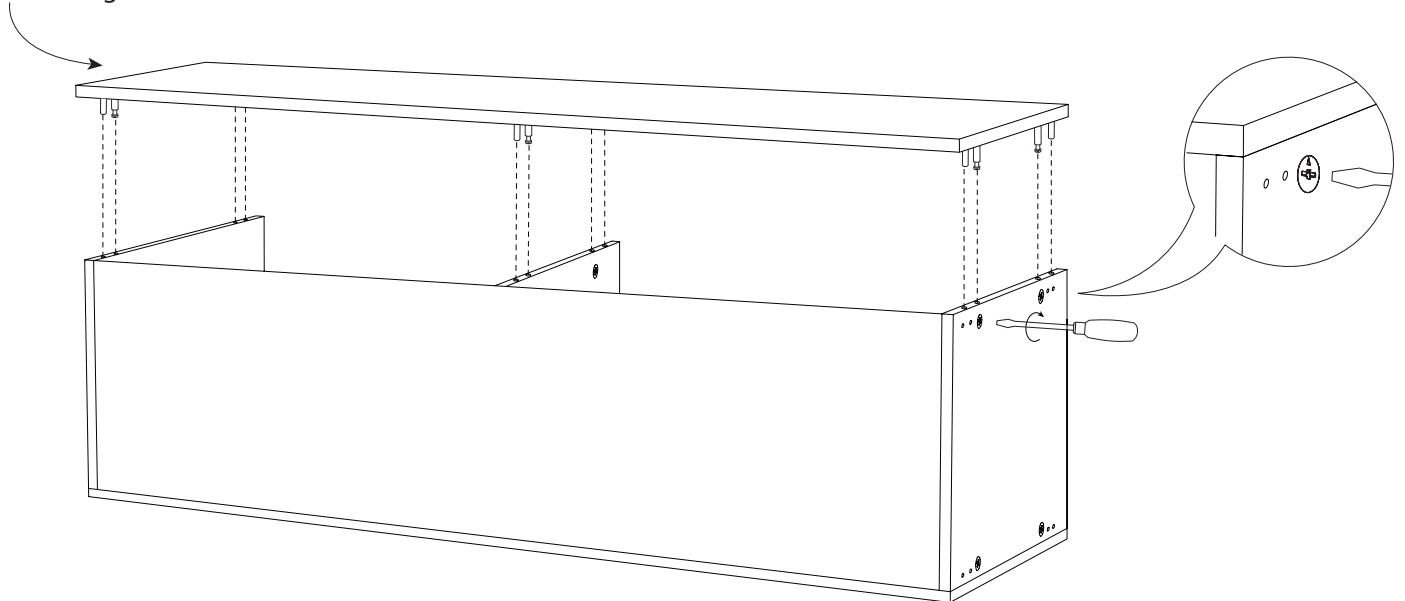
7. Set side panel onto assembly, inserting dowels into holes and cams into cam locks. Orient the finished edge toward the top as shown. Tighten cam locks with flathead screwdriver.

finished edge

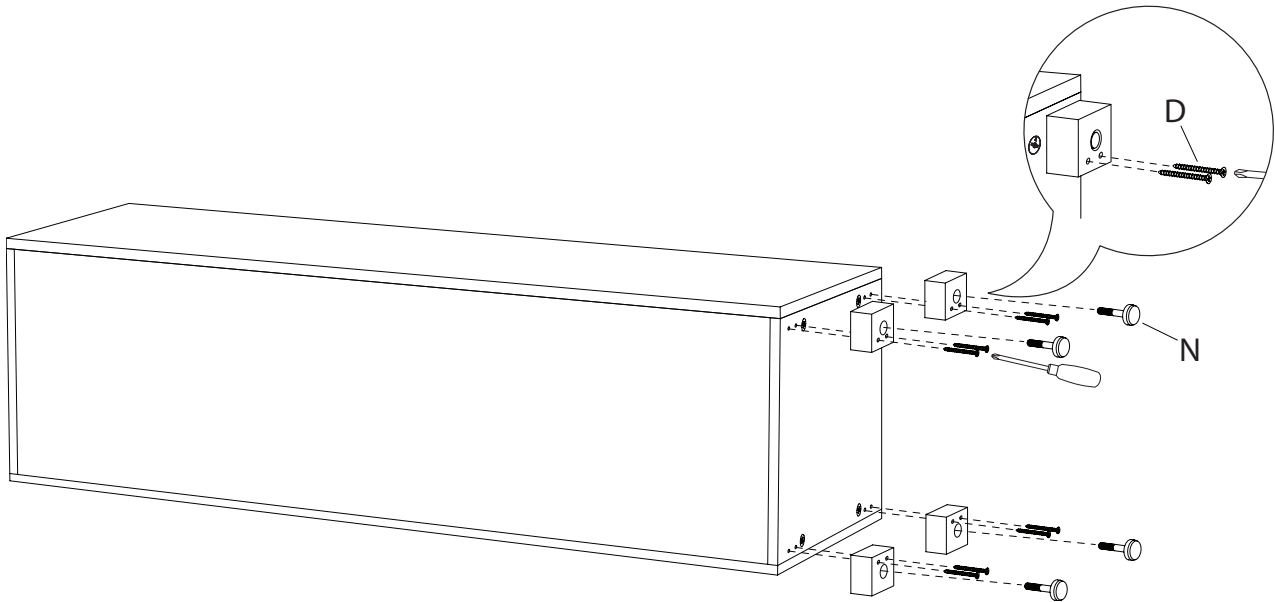


8. Turn cabinet over and repeat assembly for the second side panel.

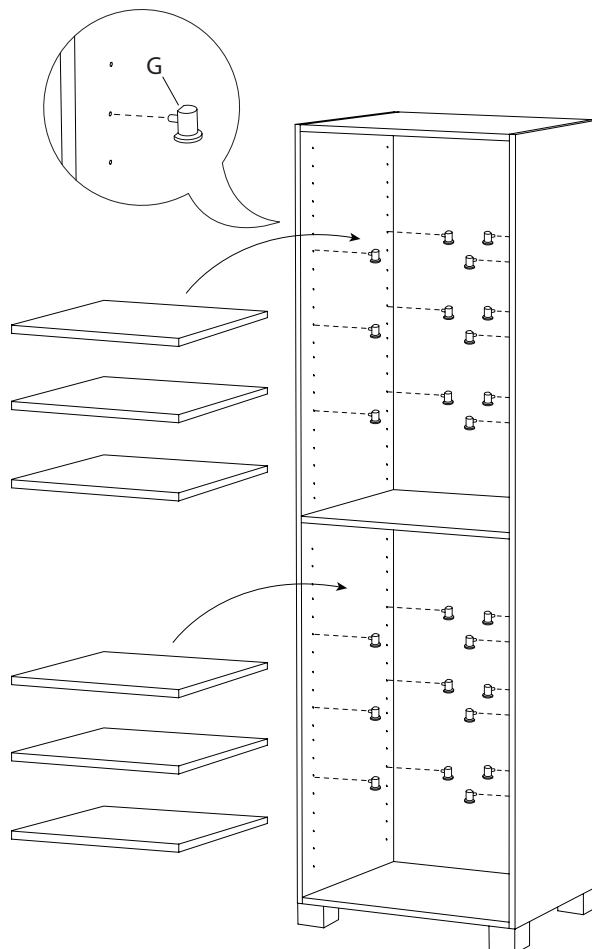
finished edge



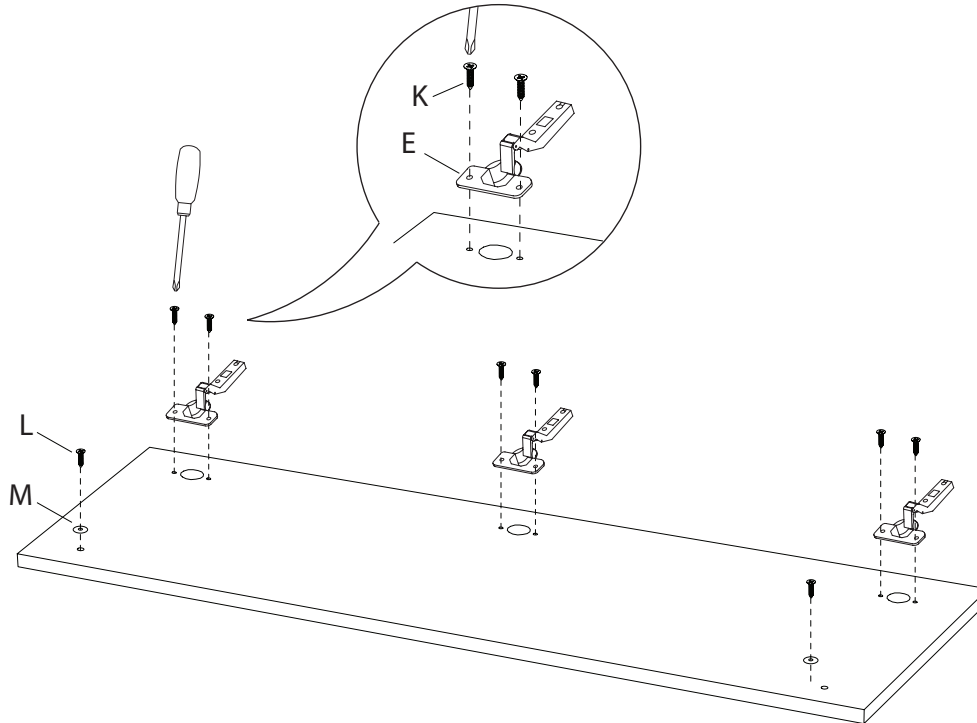
9. Fasten feet to base using long screws (D). Tighten screws using a phillips screwdriver. Insert levelers (N) into each foot.



10. Insert shelf pins (G) at desired locations and set in shelves.

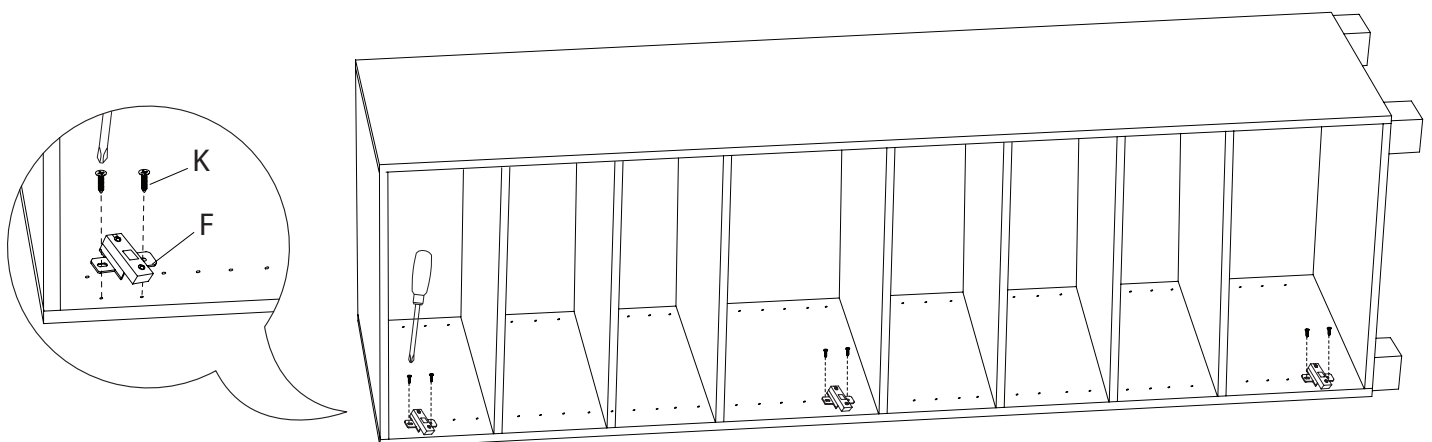


11. Fasten hinges (E) to front door using medium screws (K) as shown. Tighten screws using a phillips screwdriver.
 12. Attach magnet plates (M) using short screws (L).

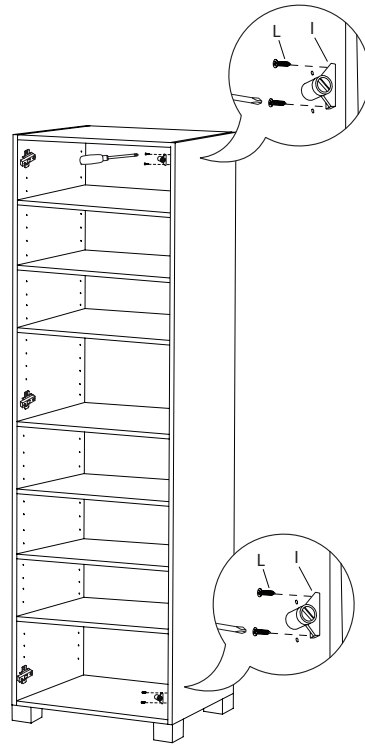


13. Lay down cabinet on its left side and fasten hinge plates (F) to side panel inside cabinet using medium screws (K) as shown. Top hinge plate attaches to 2 pre-drilled holes at the top of left side panel. These holes are located slightly in front of a long line of shelf pin holes. Middle plate attaches to 2 pre-drilled holes immediately above the (fixed) center shelf. Bottom hinge plate attaches to 2 pre-drilled holes at the bottom of left side panel. Tighten screws using a phillips screwdriver.

NOTE: If you prefer cabinet to open from right side, simply mount hinge plates (F) on right side panel instead of left side panel. If you are going to mount the door onto LEFT side panel, you need to attach the MIDDLE hinge plate to the 2 pre-drilled holes immediately ABOVE the (fixed) center shelf. If you are going to mount the door onto RIGHT side panel, you need to attach the MIDDLE hinge plate to the 2 pre-drilled holes immediately BELOW the (fixed) center shelf.

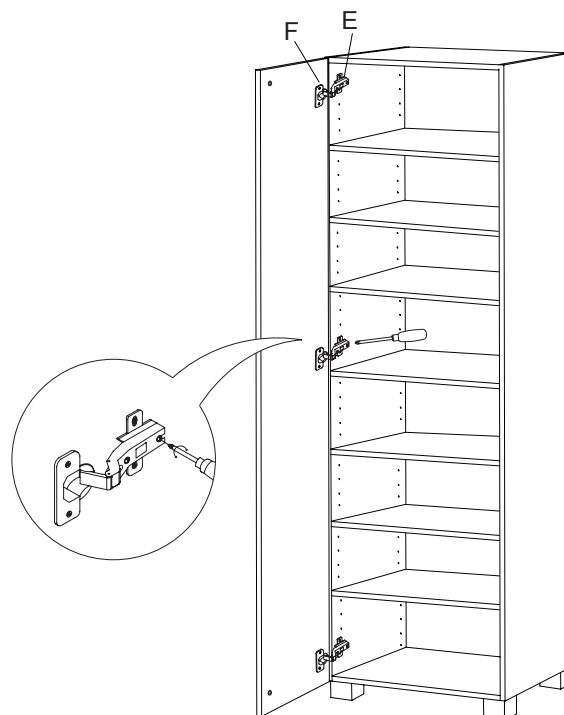


14. Stand cabinet upright. Fasten door catches (I) onto inside of right side panel of cabinet using pre-drilled pilot holes and short screws (L) as shown. Tighten screws using phillips screwdriver (Note: door catches can be adjusted for proper fit).



15. Attach door hinges (E) to hinge plates (F) by sliding metal hinges onto previously attached hinge plates on left side panel and securing each hinge using hinge screws and phillips screwdriver.

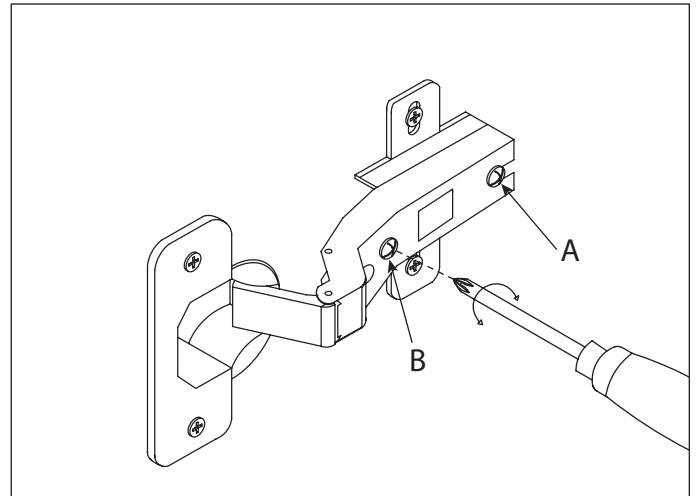
NOTE: See next page for procedure to adjust hinges for proper fit.



Hinges are adjustable. A combination of these adjustments may be necessary to level doors.

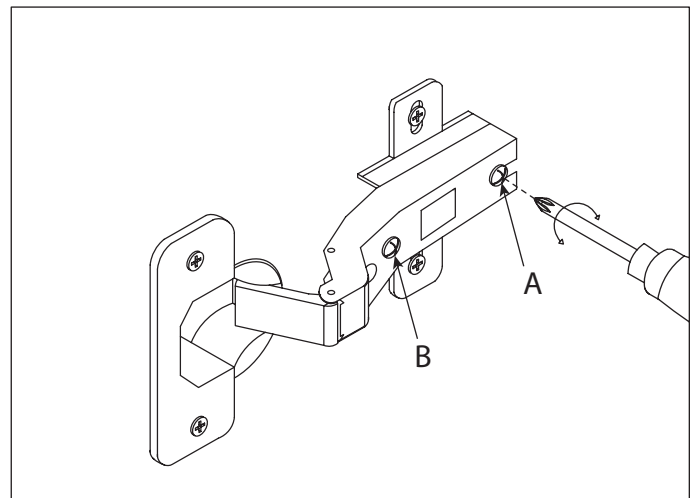
1. For side adjustment

Loosen screw A, adjust gap with screw B and re-tighten screw A.



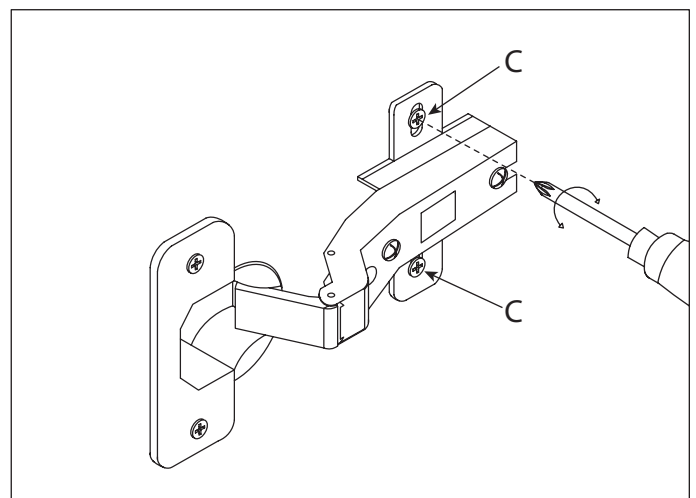
2. For depth adjustment

Loosen screw A, push hinge arm forwards or backwards, re-tighten screw A and secure screw B with a 1/4 turn clockwise.



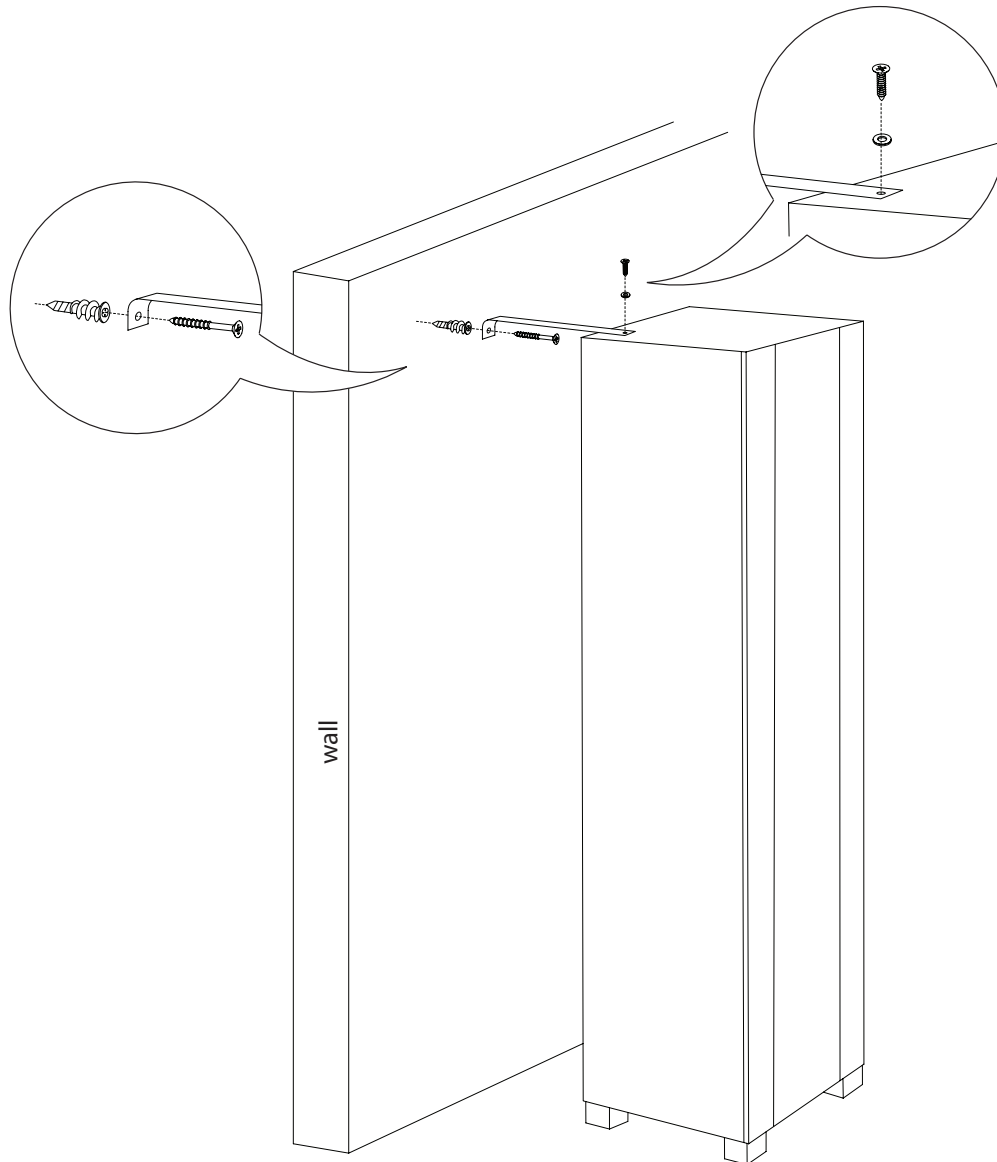
3. For height adjustment

Loosen screw C, adjust door height and re-tighten screw C.



WE STRONGLY SUGGEST THAT, WHENEVER POSSIBLE, YOU ATTACH THE INCLUDED ANTI-TIPPING STRAP.

1. Attach one end of strap to top panel using short screw and washer included.
2. Insert wall anchor (not included) into wall at appropriate height (same height as strap attached to furniture).
3. Attach other end of anti-tipping strap to this anchor using washer (included) and screw (not included).



CARE INSTRUCTIONS

Hardware may loosen over time. Periodically check that all connections are tight.

Wipe with a soft, dry cloth. To protect finish, avoid the use of chemicals and household cleaners.