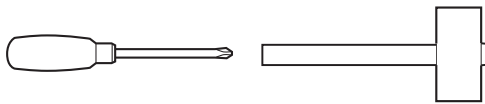
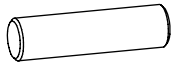


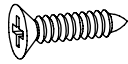

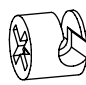
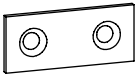
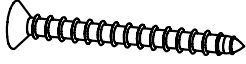
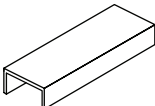

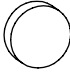


! Tools required:

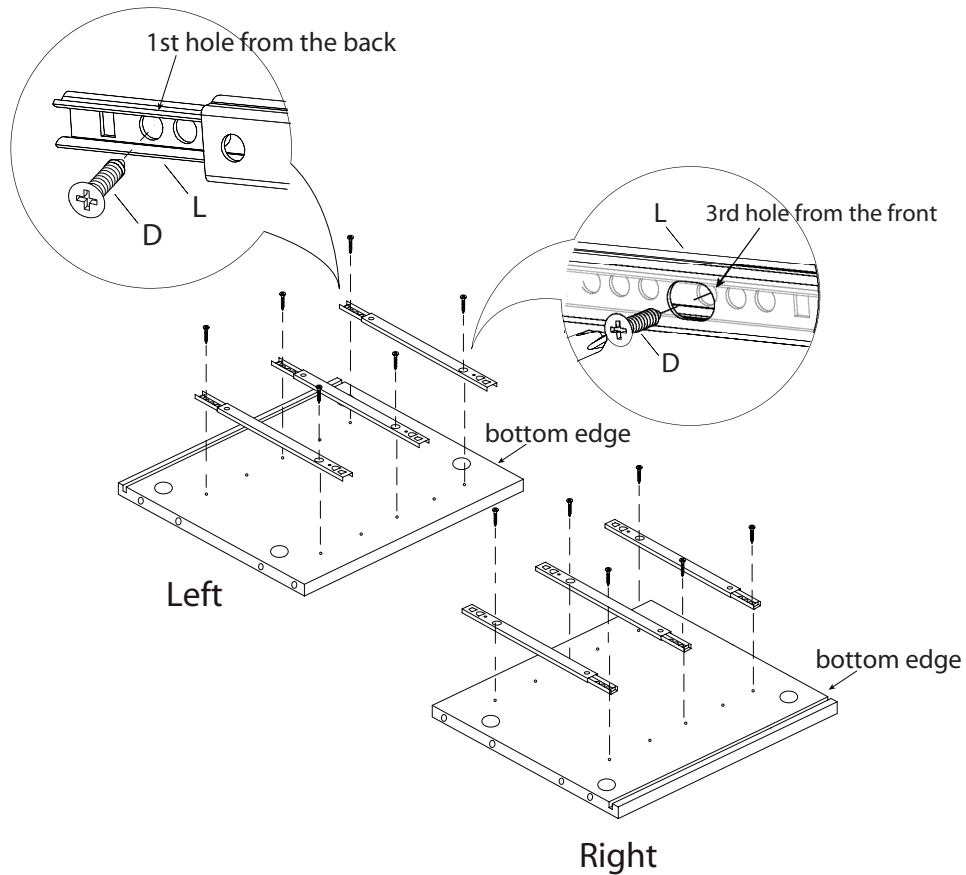


! Do not throw away packaging materials until assembly is complete.

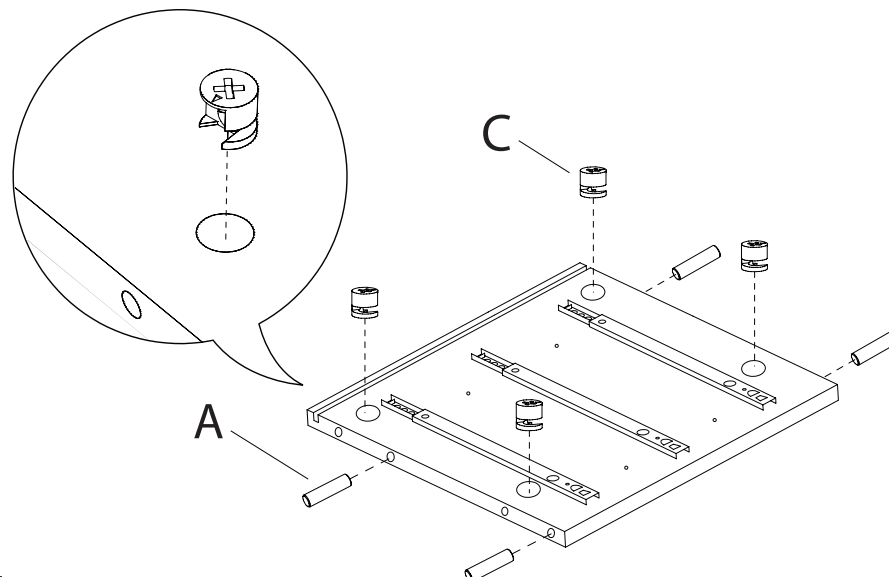
! Assemble this item on a soft surface, such as cardboard or carpet, to protect finish.

<p>A</p>  <p>wooden dowel 8x</p>	<p>B</p>  <p>cam screw 14x</p>
<p>C</p>  <p>large cam lock 8x</p>	<p>D</p>  <p>small screw 14x</p>
<p>E</p>  <p>small dome screw 6x</p>	<p>F</p>  <p>small cam lock 6x</p>
<p>G</p>  <p>mounting plate 1x</p>	<p>I</p>  <p>large screw 6x</p>
<p>J</p>  <p>drawer handle with screws 3x</p>	<p>L</p>  <p>drawer glide 6x</p>
<p>M</p>  <p>felt pad 6x</p>	

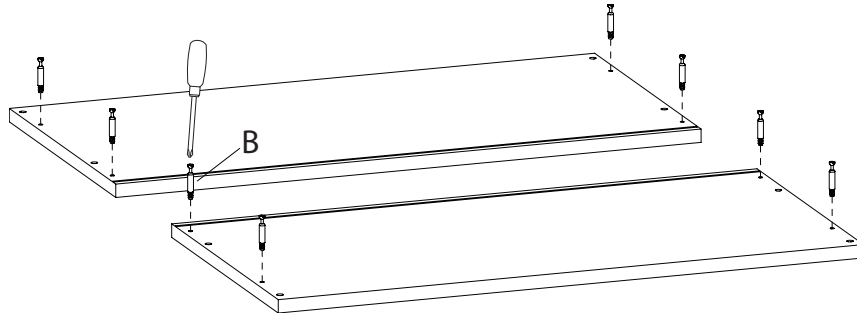
1. Attach drawer glides (L) to side panels using small screws (D) as shown. The FRONT of each drawer glide should be fastened through the third round hole from the front of the glide. The BACK of each drawer glide should be fastened through the first round hole from the back of the glide.



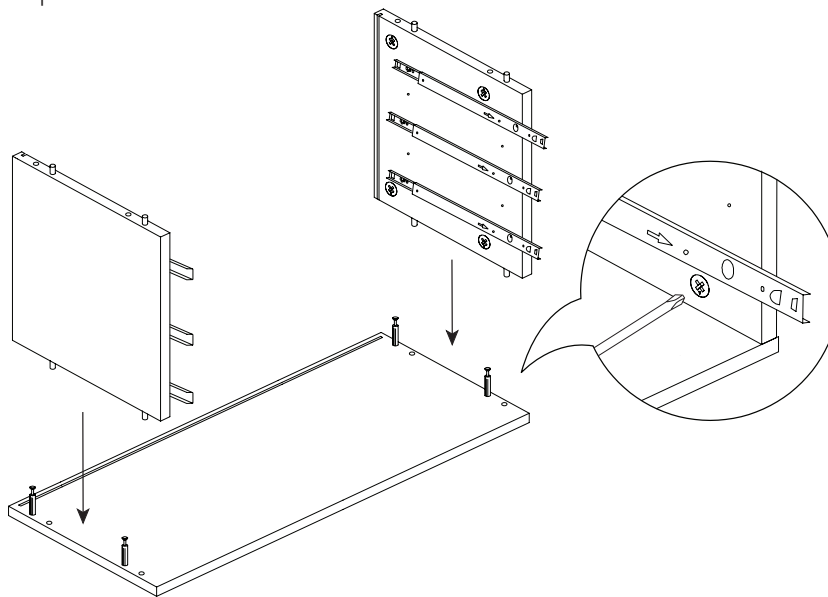
2. Insert large cam locks (C) into holes of side panels. Turn cam locks with a phillips screwdriver so that the arrow on top is pointing out.  
3. With a hammer gently tap wooden dowels (A) into holes in side of panels.



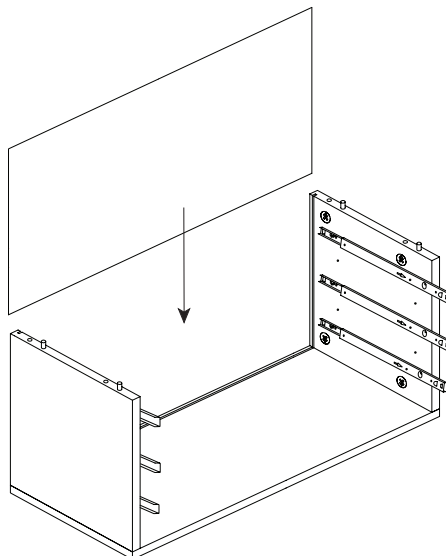
4. Insert cam screws (B) into holes provided on top and bottom panels as shown. Tighten cam screws with a phillips screwdriver.



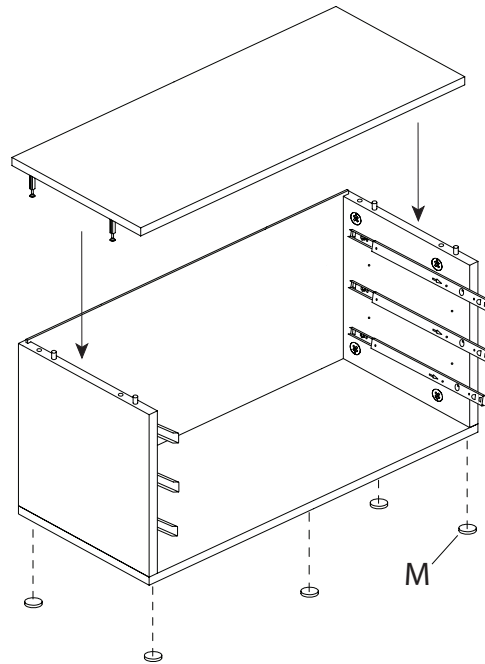
5. Fasten side panels to bottom panel. The bottom panel is indicated with a "Made in Denmark" sticker. Fit cam screws into cam locks and tighten using a phillips screwdriver.



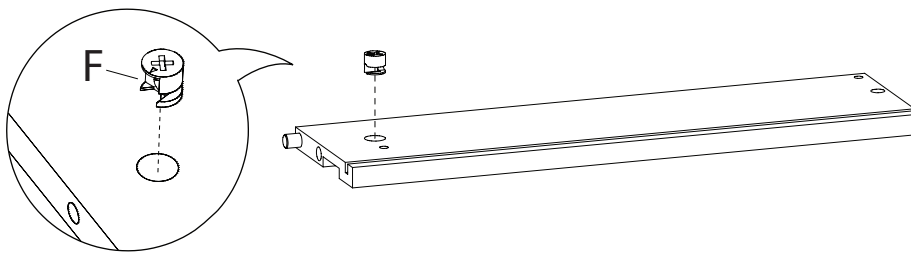
6. Slide back panel into groove. Make sure panel slides all the way into the bottom panel groove.



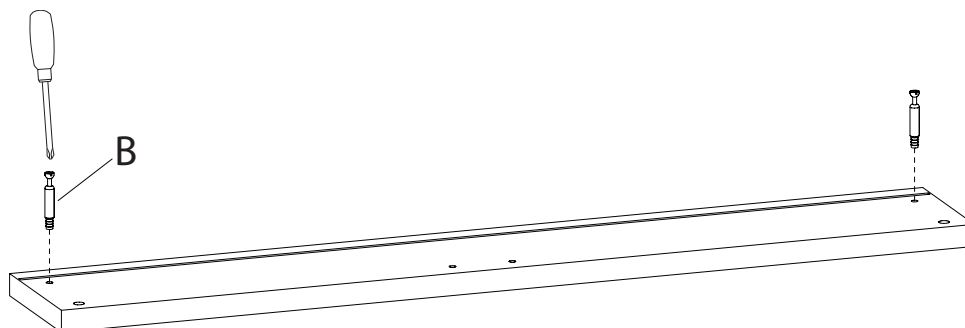
7. Fasten top panel to side panels. Fit cam screws into cam locks and tighten using phillips screwdriver. Attach felt pads (M) to base.



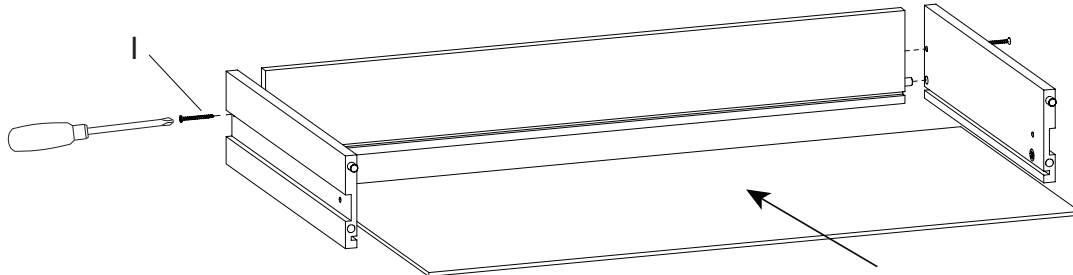
8. Insert small cam locks (F) into each drawer side. Make sure arrow on face of each cam lock is pointed in the direction of the hole on the edge of each panel as shown.



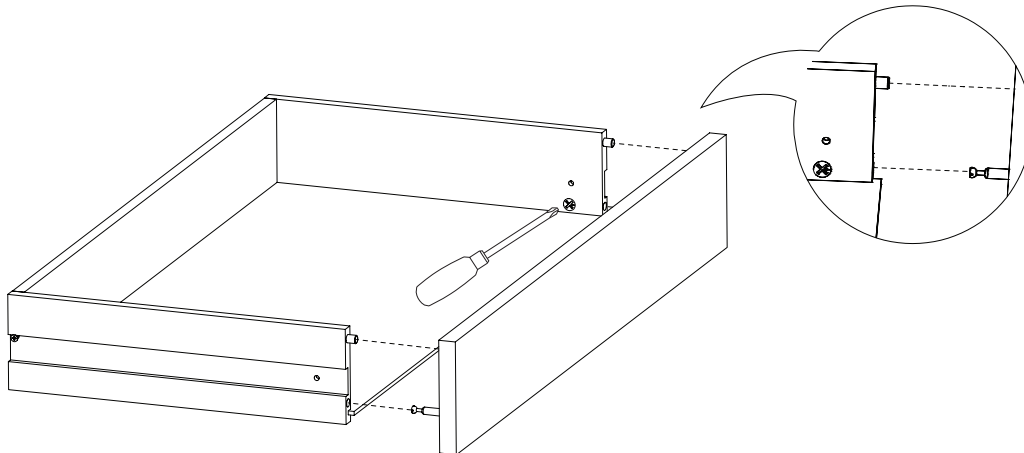
9. Insert cam screws (B) into drawer front panels as shown. Tighten with phillips screwdriver.



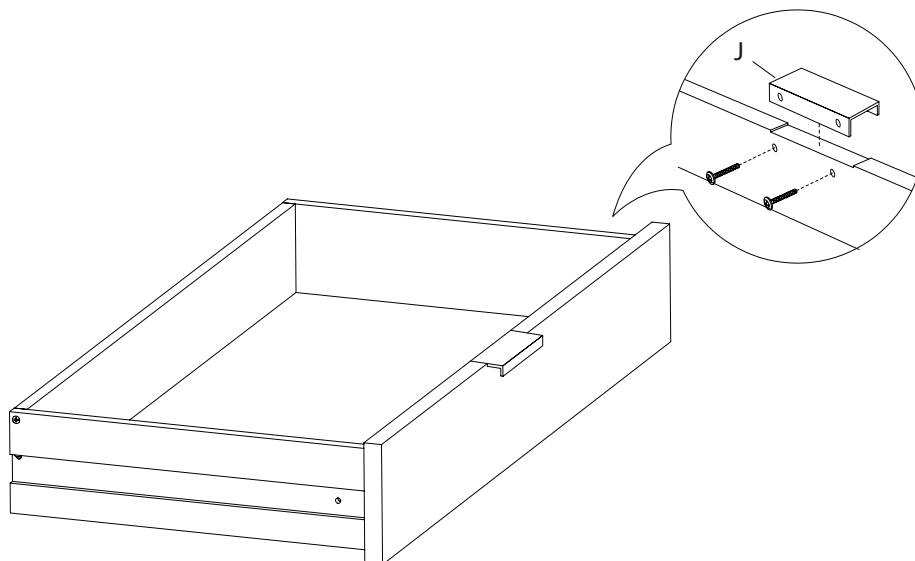
10. Attach drawer side panels to back panel using one large screw (I) per drawer side. Slide the bottom panel into the grooves.



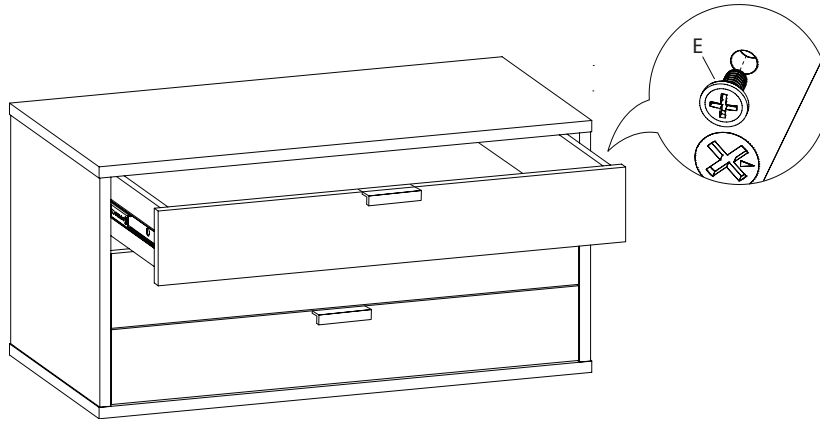
11. Attach drawer fronts to drawer sides. Fit cam screws into cam locks and tighten using phillips screwdriver.



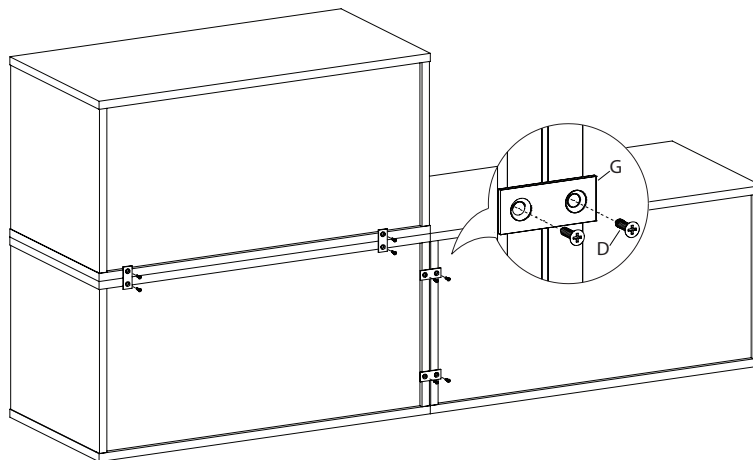
12. Attach drawer handles (J) to drawer fronts using the two screws provided with each handle. Tighten using a phillips screwdriver.



13. Slide drawers onto glides and fasten together with short dome screws (E) from inside the drawer into the hole in the glide. Tighten with a phillips screwdriver.



14. Multiple units can be attached together as shown using small screws (D) and mounting plates (G). If stacking units use felt pads (M) between units to minimize scratching.



#### CARE INSTRUCTIONS

Hardware may loosen over time. Periodically check that all connections are tight.

Wipe with a soft, dry cloth. To protect finish, avoid the use of chemicals and household cleaners.