

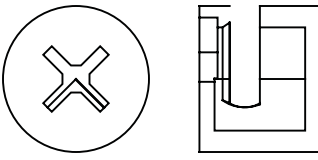
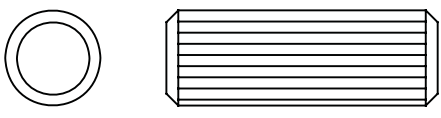
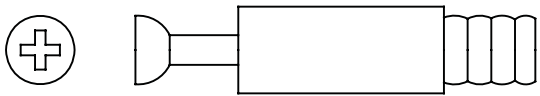

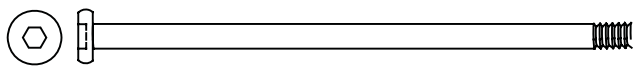
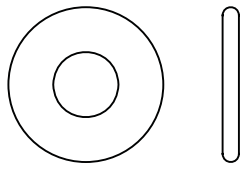
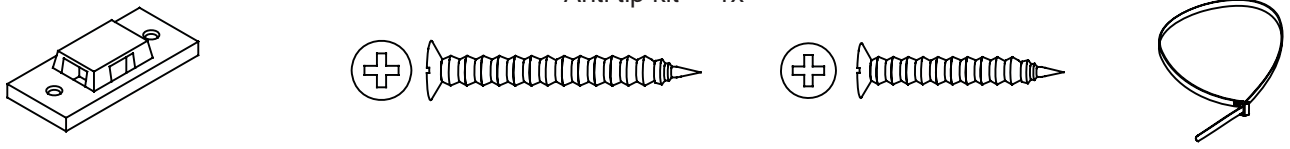
! Tools Required: 

! Do not throw away packaging materials until assembly is complete.

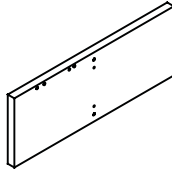
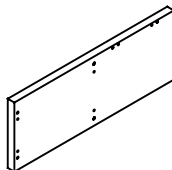
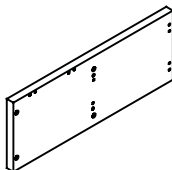
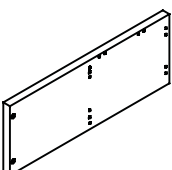
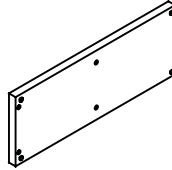
! Assemble this item on a soft surface, such as: cardboard or carpet to protect finish.

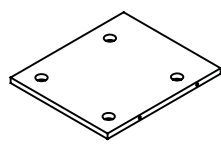
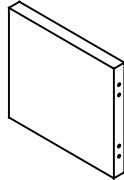
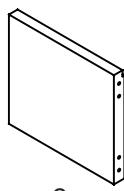
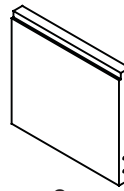
! Proper assembly of this item requires 2 people.

## Hardware

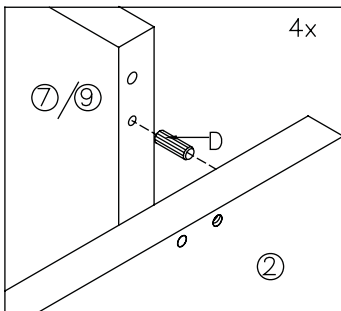
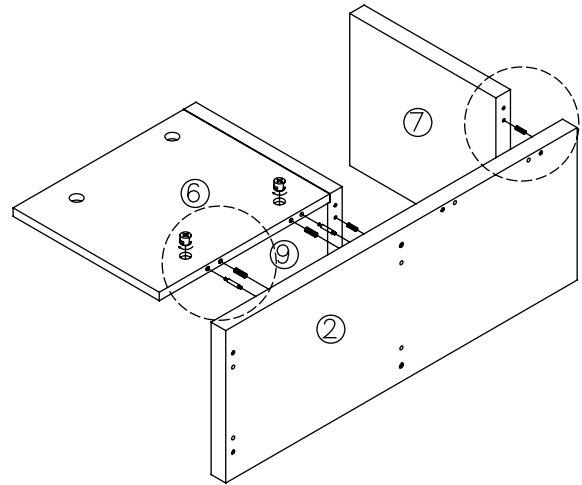
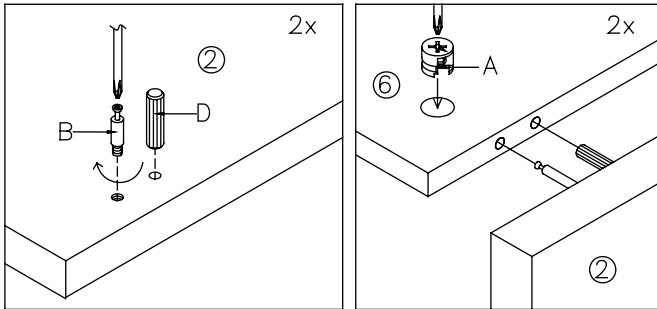
<p><b>A</b></p>  <p>cam lock: 15mm dia. x 12mm 16x</p>	<p><b>D</b></p>  <p>wood dowel: 10mm dia. x 30mm 48x</p>
<p><b>B</b></p>  <p>Cam bolt: 6mm dia. x 35mm dia. 16x</p>	<p><b>E</b></p>  <p>allen key 1x</p>
<p><b>C</b></p>  <p>bolt: 8mm dia. x 432mm 16x</p>	<p><b>F</b></p>  <p>metal washer 16x</p>
<p>Anti tip kit 1x</p>  <p>mounting plate 2x      large screw 4x      small screw 4x      nylon strap 1x</p>	

Parts

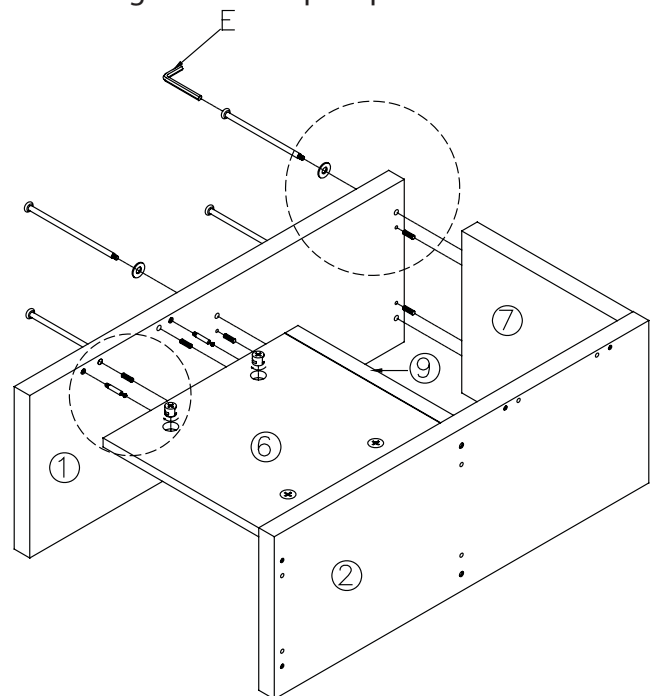
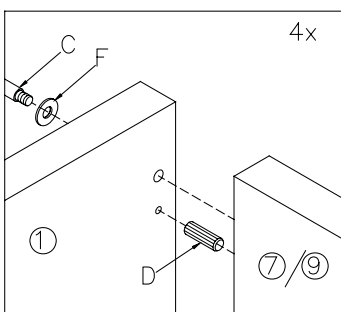
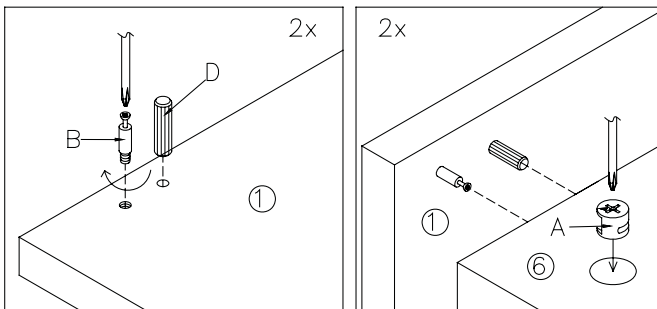
1		1x
2		1x
3		1x
4		1x
5		1x

6		4x
7		4x
8		2x
9		2x

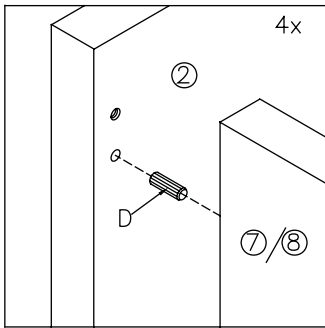
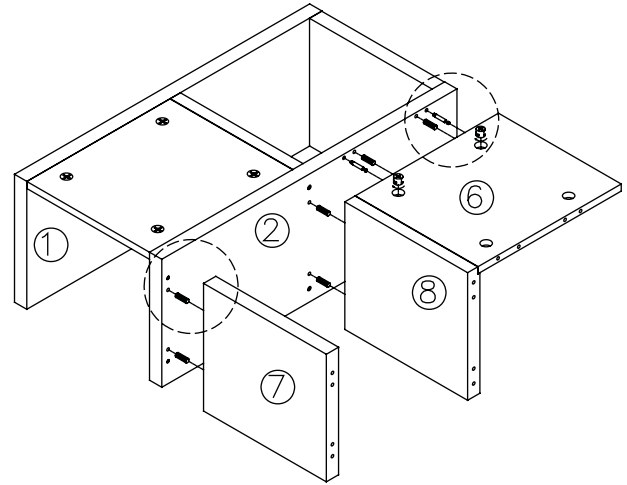
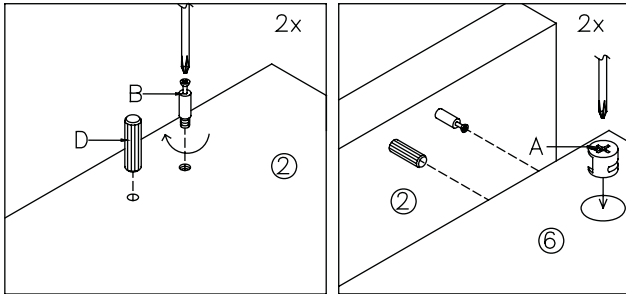
1. Insert cam bolts (B) and wood dowels (D) into the bottom of panel (2). Attach panels (6), (7), and (9) to panel (2) as shown below. Insert cam locks (A) into panel (6) and turn clockwise with a phillips head screwdriver to lock into place.



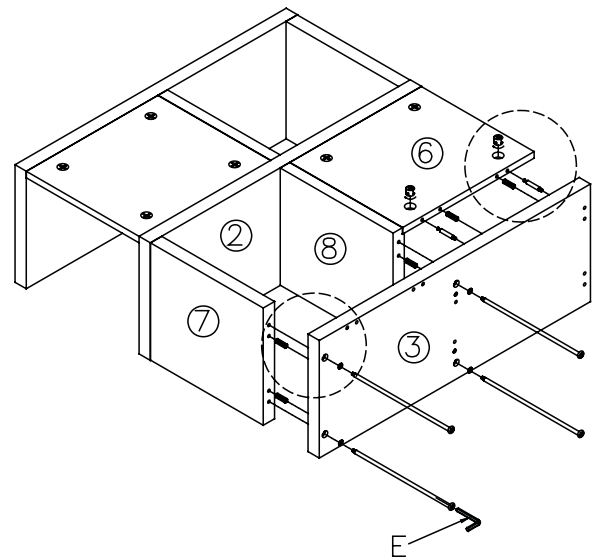
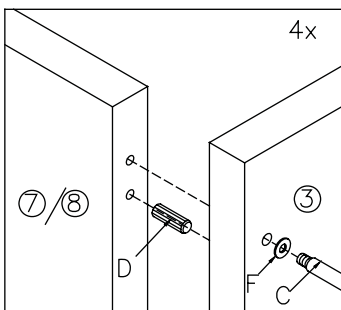
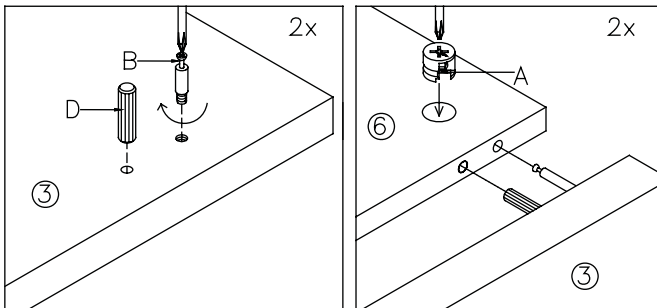
2. Insert cam bolts (B) and wood dowels (D) into the top of panel (1). Attach panel (1) to the completed assembly from step 1 by attaching metal washers (F) and bolts (C). Tighten with allen key (E). Complete assembly by inserting cam locks (A) into panel (6) as shown below. Tighten with a phillips head screwdriver.



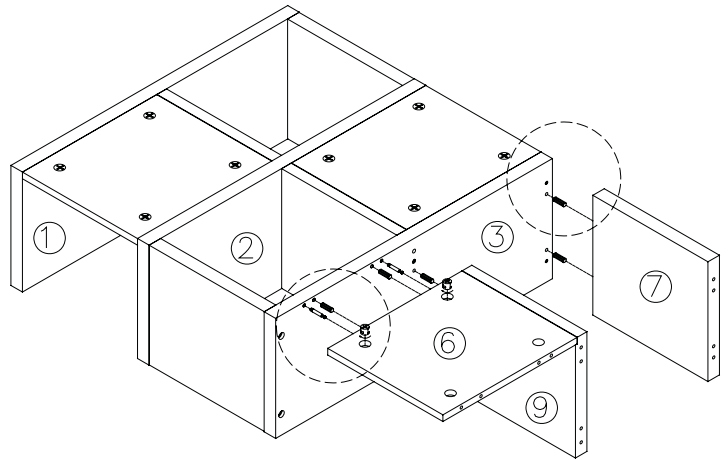
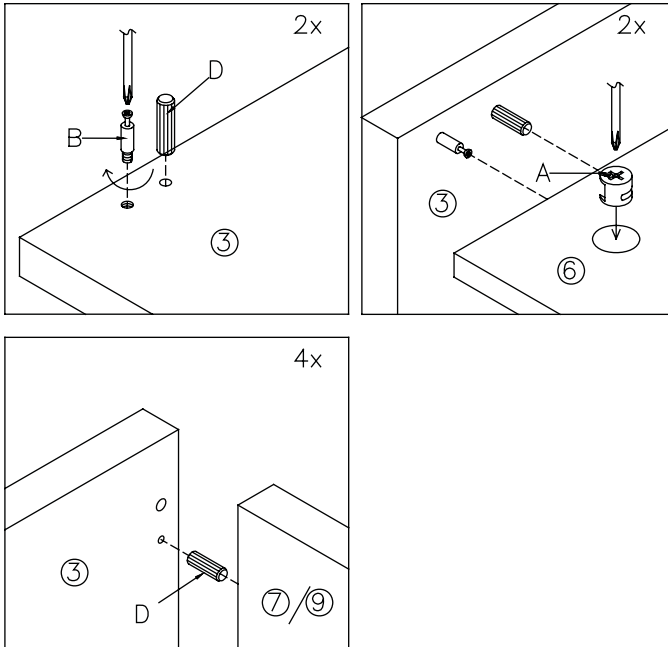
3. Insert cam bolts (B) and wood dowels (D) into the top of panel (2). Attach panels (6), (7), and (8) to panel (2) as shown below. Insert cam locks (A) into panel (6) and turn clockwise with a phillips head screwdriver to lock into place.



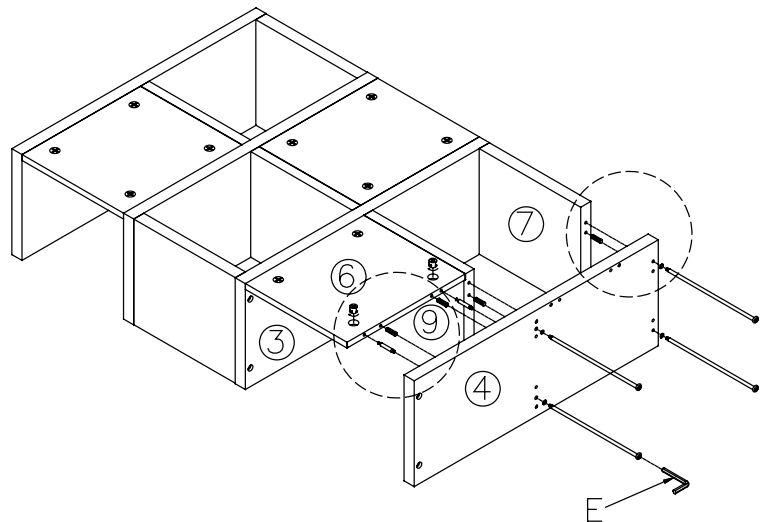
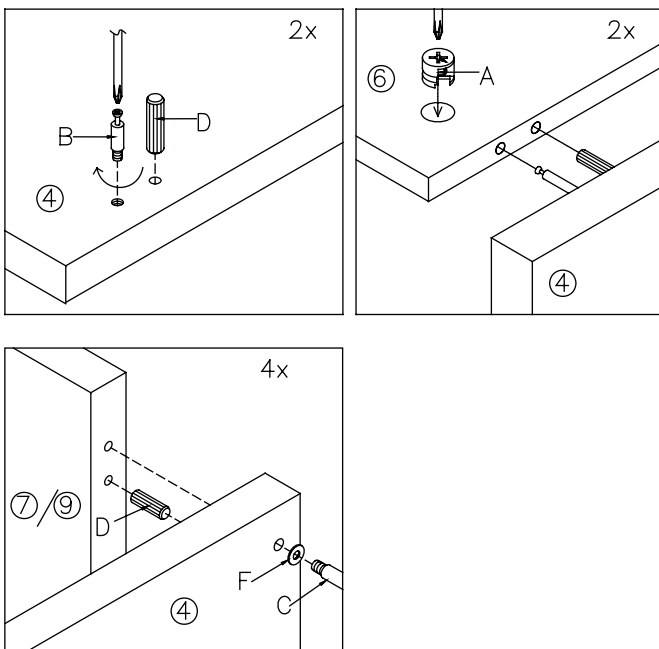
4. Insert cam bolts (B) and wood dowels (D) into the bottom of panel (3). Attach panel (3) to the completed assembly from step 3 by attaching metal washers (F) and bolts (C). Tighten with allen key (E). Complete assembly by inserting cam locks (A) into panel (6) as shown below. Tighten with a phillips head screwdriver.



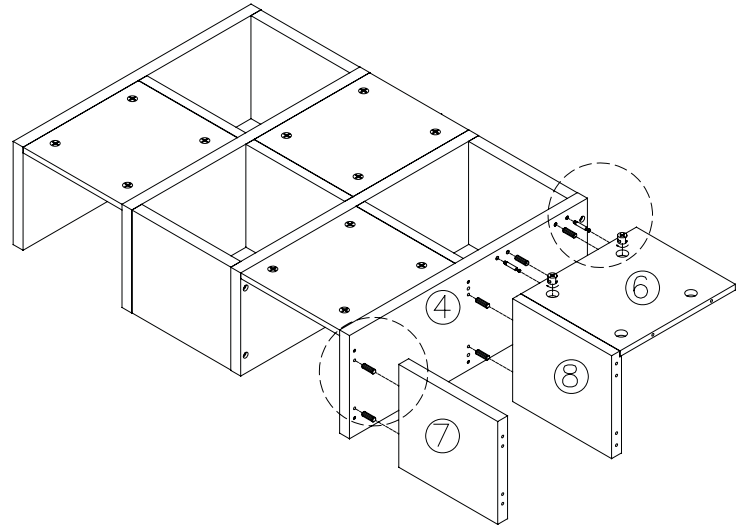
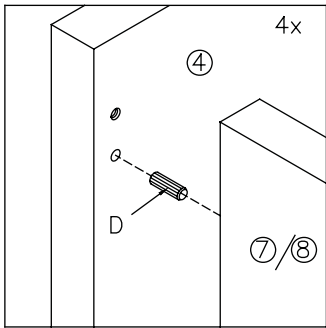
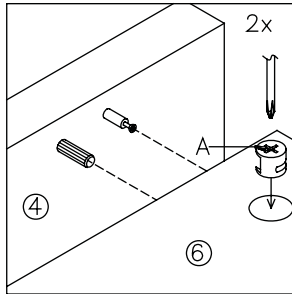
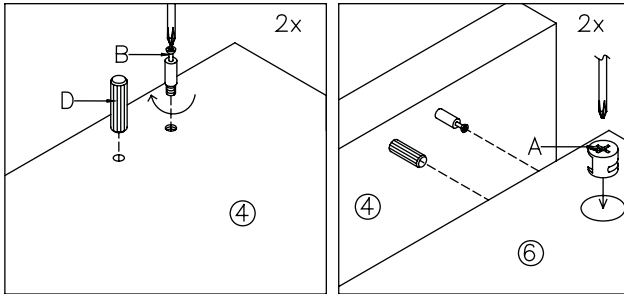
5. Insert cam bolts (B) and wood dowels (D) into the top of panel (3). Attach panels (6), (7), and (9) to panel (3) as shown below. Insert cam locks (A) into panel (6) and turn clockwise with a phillips head screwdriver to lock into place.



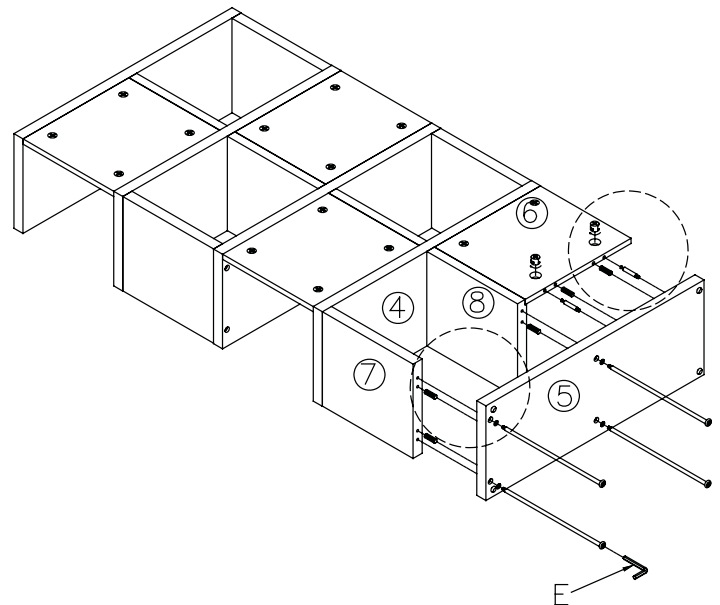
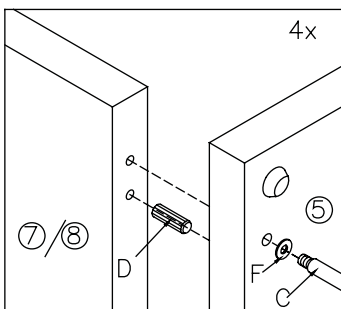
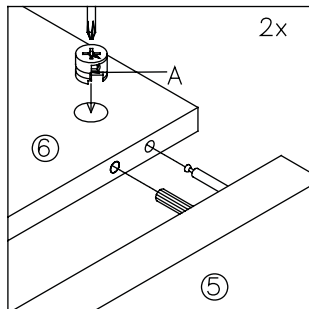
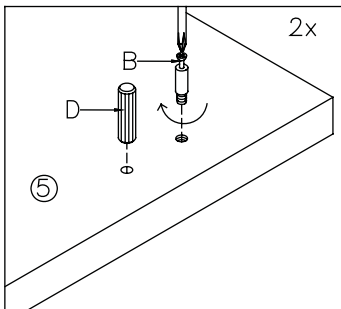
6. Insert cam bolts (B) and wood dowels (D) into the bottom of panel (4). Attach panel (4) to the completed assembly from step 5 by attaching metal washers (F) and bolts (C). Tighten with allen key (E). Complete assembly by inserting cam locks (A) into panel (6) as shown below. Tighten with a phillips head screwdriver.



7. Insert cam bolts (B) and wood dowels (D) into the top of panel (4). Attach panels (6), (7), and (8) to panel (4) as shown below. Insert cam locks (A) into panel (6) and turn clockwise with a phillips head screwdriver to lock into place.



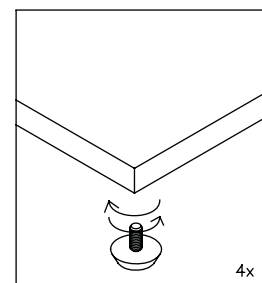
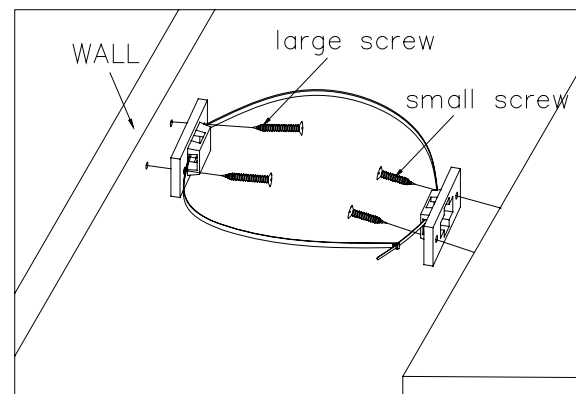
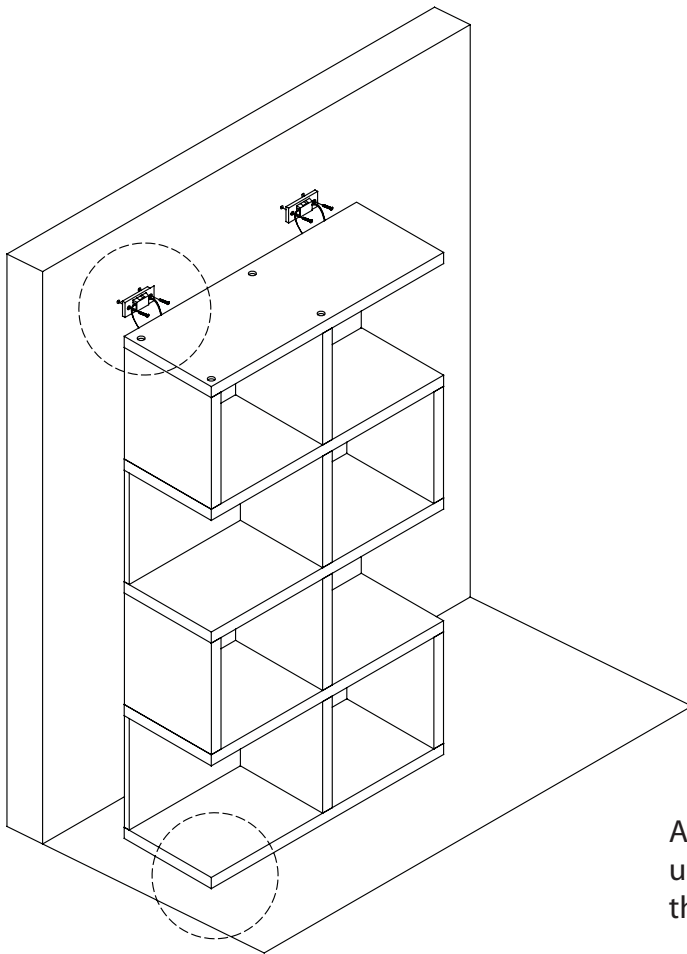
8. Insert cam bolts (B) and wood dowels (D) into the bottom of panel (5). Attach panel (5) to the completed assembly from step 7 by attaching metal washers (F) and bolts (C). Tighten with allen key (E). Complete assembly by inserting cam locks (A) into panel (6) as shown below. Tighten with a phillips head screwdriver. Stand checker bookcase tall unit upright.



**NOTICE:** To prevent injury and property damage from unexpected tipping of furniture, we highly recommend installation of the anti-tip kit included with this product.

Attaching unit to wall with anti-tip kits.

1. Determine where the unit is to be placed and mark location on the wall for the mounting bracket screw holes. They should be placed approximately 1" below the top on the back of the unit.
2. Attach the mounting bracket vertically to the wall by inserting the long screws provided through the holes in the bracket and tightening securely using screwdriver. Screws must penetrate wall studs for proper installation.
3. Next using the short screws attach the 2nd bracket to the back of the unit top.
4. Lace the nylon strap down through the brackets. Slide the thin end of the strap through the receiving end of the nylon strap. Pull to tighten tower snug against wall.



Adjustable levelers are installed to accommodate uneven flooring. To adjust these levelers, simply turn them counter clockwise.

#### CARE INSTRUCTIONS

Hardware may loosen over time. Periodically check that all connections are tight.

Wipe with a soft, dry cloth. To protect finish, avoid the use of chemicals and household cleaners.