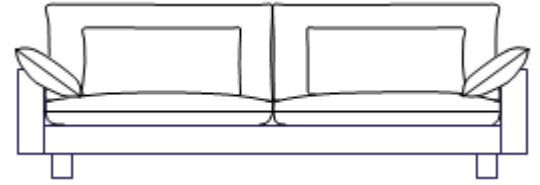
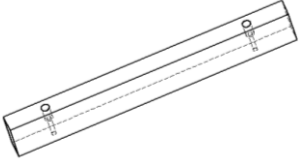
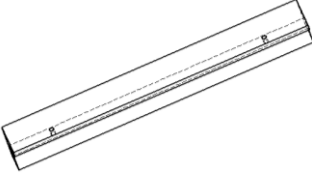
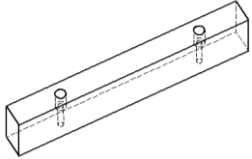
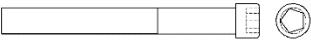

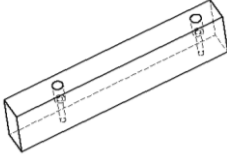
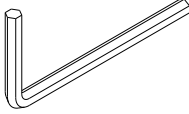
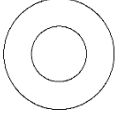


# west elm

## Harmony Collection assembly instructions

! Do not throw away packaging material until assembly is complete  
! Assemble this item on a soft surface, such as cardboard or carpet, to protect finish  
! Proper assembly of this item requires 2 people

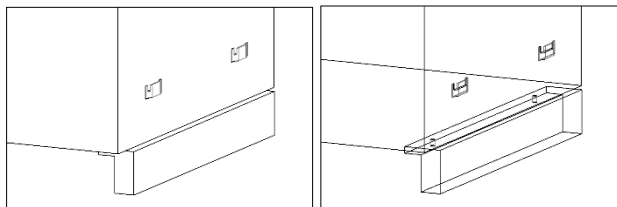


 <p>Reg. Leg SS-5377 (Req:2x Long Bolts) Harmony Deep Reg Leg SS-5380</p>	 <p>Shelf Leg SS-5378 (Req:2x Short Bolts) Harmony Deep Shelf Leg SS-5381</p>	 <p>Corner Leg A SS-5379 (Req:2x Long Bolts)</p>
 <p>Long Bolt 4 1/2" SS-5233</p>	 <p>Short Bolt 2 1/2" SS-5232</p>	 <p>Corner Leg B SS-5379 (Req:2x Long Bolts)</p>
 <p>Hex Key SS-5234</p>	 <p>Washer SS-1113</p>	<p><u>Corner Leg A &amp; B may also come preassembled. Please follow same instructions for assembly</u></p>

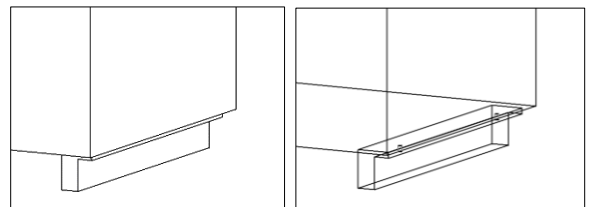
1. Choose the proper leg that matches the collection piece using the chart on back side.
2. Remove temporary shipping leg and layout wrapped legs from packaging.
3. Attach each leg by aligning it on the pre-drilled holes underneath the frame. Insert bolt with washer into the frame. Hand tighten bolts. Warning! Do not tighten until all bolts are secured.
4. Once all bolts are in, tighten completely using the hex key provided.

Additional information: Shelf Legs can be turned inwards to hide shelf or turned outwards to be used as a support for a sectional piece. See image below.

Warning! Armless Pieces need to be locked together using brackets and properly resting on shared leg.



A. Visible shelf leg and sectional brackets for connecting

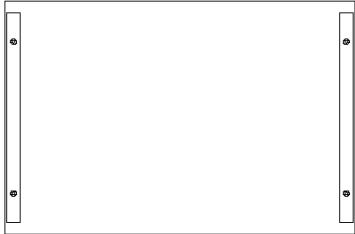
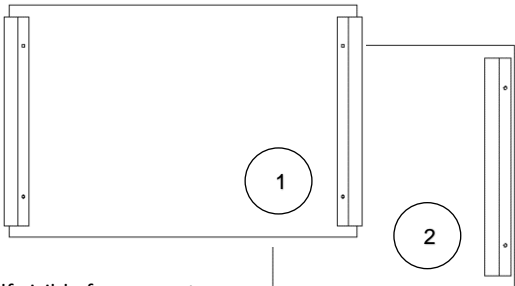
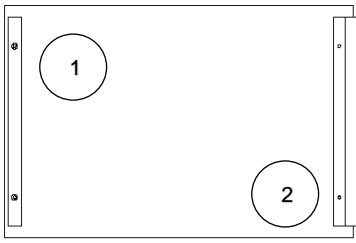
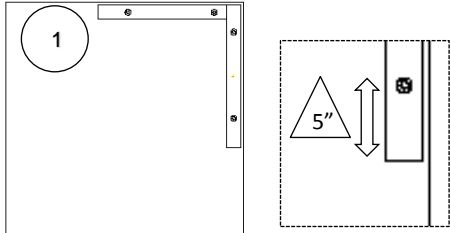
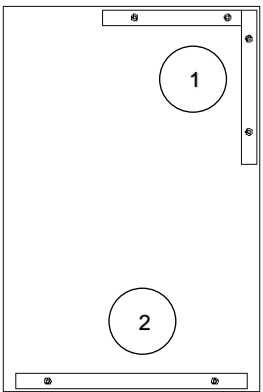
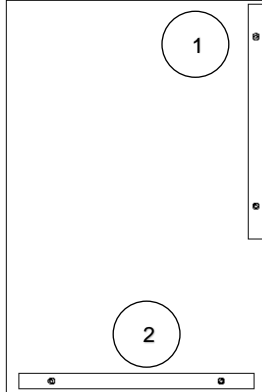


B. Invisible shelf leg for stand-alone unit

# west elm

## Harmony Collection assembly instructions

Chart 1. Harmony Leg Placement

<p><b>Sofa 82", Chair and Half, Apt Sofa, &amp; Grand Sofa</b></p> <p>2 Reg. Legs</p> <p>4 Long Bolts, 4 Washers, 1 Hex Key</p>	<p><b>Armless Double Sofa &amp; Ottoman</b></p> <p>2 Shelf Legs</p> <p>4 Short Bolts, 4 Washers, 1 Hex Key</p>
 <p>Place bolts in pre-drilled holes, hand tighten then use hex key to tighten completely.</p>	 <p>1: Shelf visible for support 2: Shelf hidden for stand-alone unit</p>
<p><b>1-Arm Chair, 1-Arm Sofa, 1-Arm 2.5 Sofa</b></p> <p>1 Reg. Leg + 1 Shelf Leg</p> <p>2 Long Bolts, 2 Short Bolts, 4 Washers, 1 Hex Key</p>	<p><b>Corner</b></p> <p>Corner Component (1 Long Leg (A) +1 Short Leg (B))</p> <p>4 Long Bolts, 4 Washers, 1 Hex Key</p>
 <p>1: Regular Leg positioned under Arm Side 2: Shelf visible for support. Use Interlocking connectors.</p>	 <p>1: Short Leg sits against Long Leg 2: Distance from hole to end of leg is 5" (for both A and B)</p>
<p><b>Terminal Chaise ONLY</b></p> <p>1 Reg. Leg + Corner Component (1 Long Leg (A) +1 Short Leg (B))</p> <p>6 Long Bolts, 6 Washers, 1 Hex Key</p>	<p><b>Chaise</b></p> <p>2 Reg. Legs</p> <p>4 Long Bolts, 4 Washers, 1 Hex Key</p>
 <p>1: Repeat procedure for Corner Leg Assembly 2: Place bolts in pre-drilled holes, hand tighten then use hex key to tighten completely.</p>	 <p>1: Regular Leg along arm side of chaise 2: Regular Leg at the front of chaise</p>