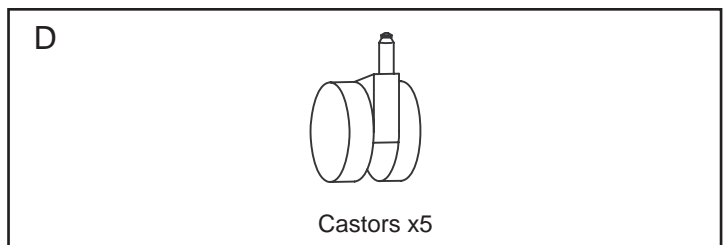
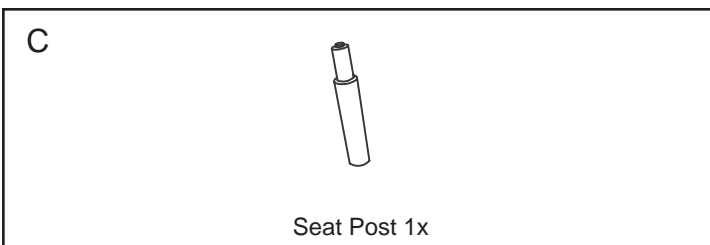
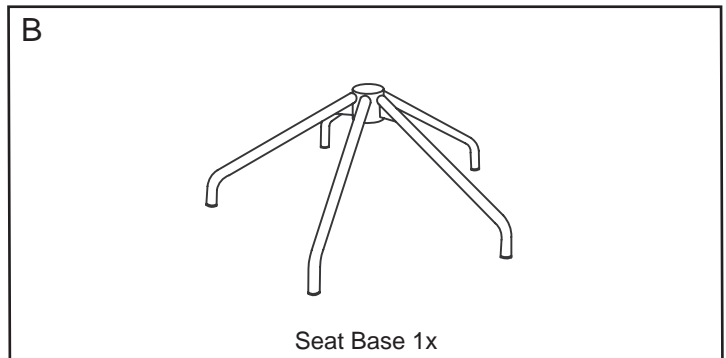
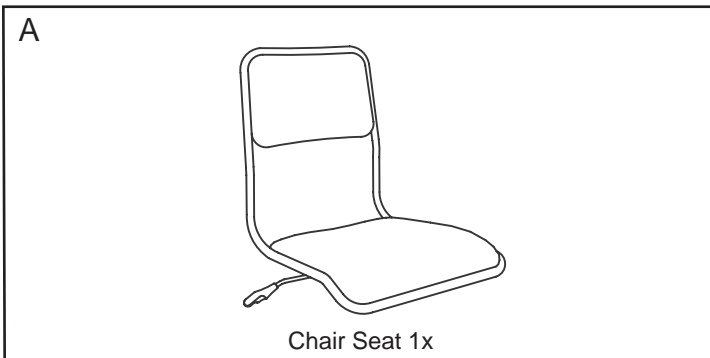




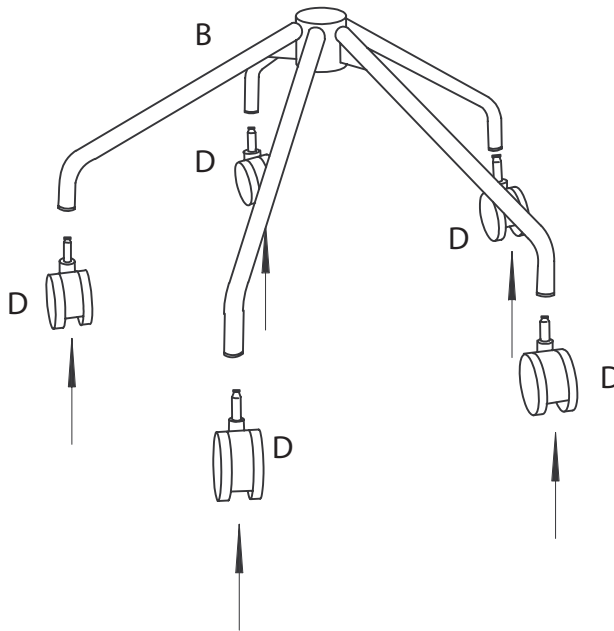
! Do not throw away packaging materials until assembly is complete.

! Assemble this item on a soft surface, such as cardboard or carpet, to protect finish.

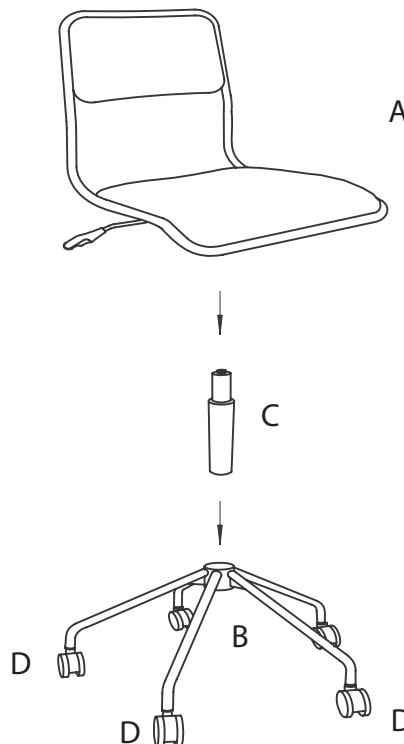
Parts



1. Align castors (D) with holes in bottom of seat base (B). Firmly press castors (D) into base (B).



2. Align bottom of seat (A) with seat post (C) and press together. Next align seat (A) and post (C) with the seat base (B) and press together.



CARE INSTRUCTIONS

Hardware may loosen overtime. Periodically check that all connections are tight.
Wipe with a soft, dry cloth. To protect finish, avoid the use of chemicals and household cleaners.
Upholstery: Spot clean only.