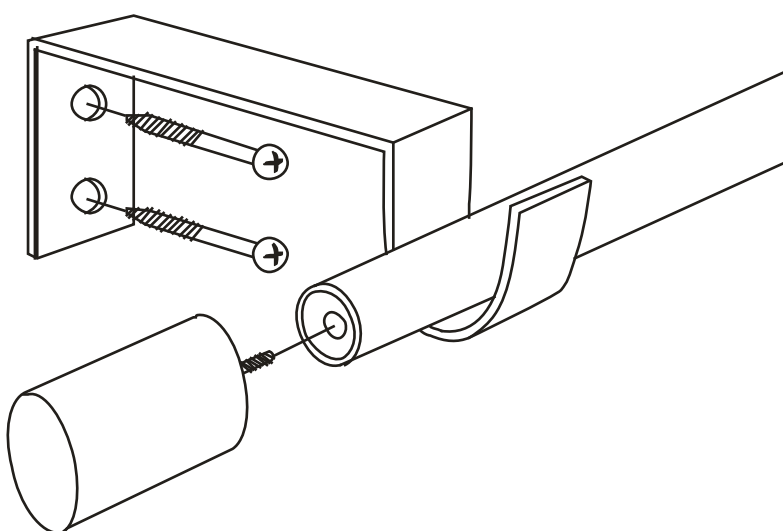


NOTE:

Stud mounting is recommended. Use proper hardware for your wall type (such as anchors for drywall). When in doubt, consult your local hardware store. For your safety, installation by two people is recommended.

Wipe with a soft, dry cloth. To protect the finish, avoid the use of all chemicals and household cleaners.



Also available:

