

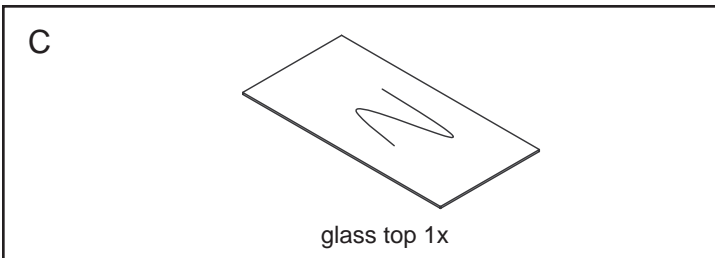
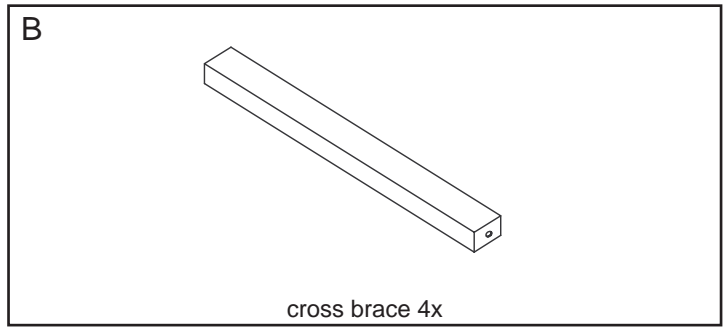
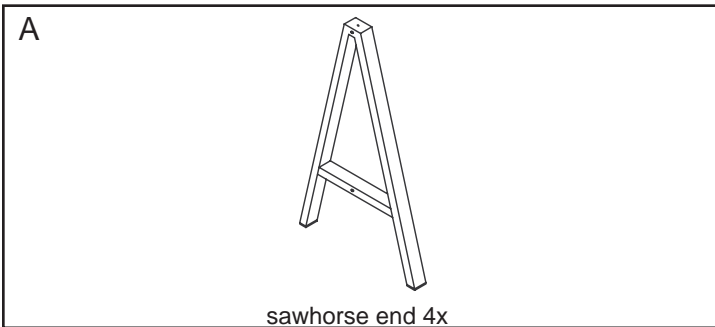
! Tools required: (Supplied)

! Do not throw away packaging materials until assembly is complete.

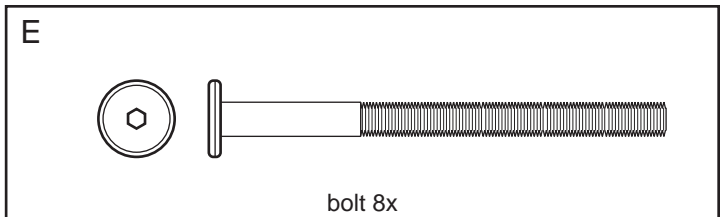
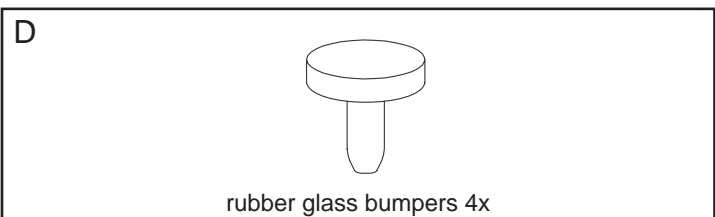
! Assemble this item on a soft surface, such as cardboard or carpet, to protect finish.

! Proper assembly of this item requires 2 people.

Parts

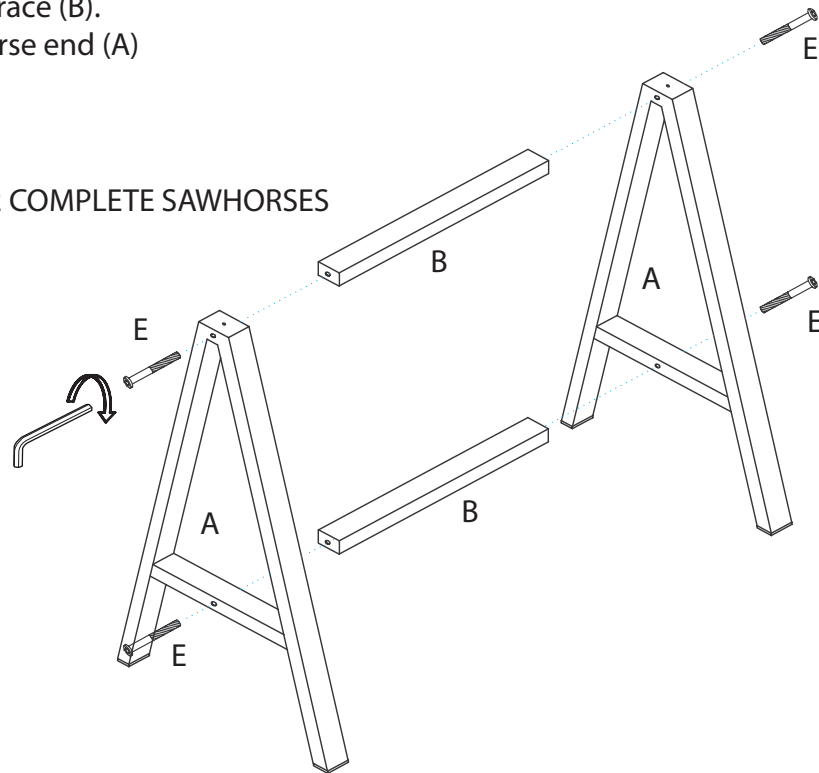


Hardware

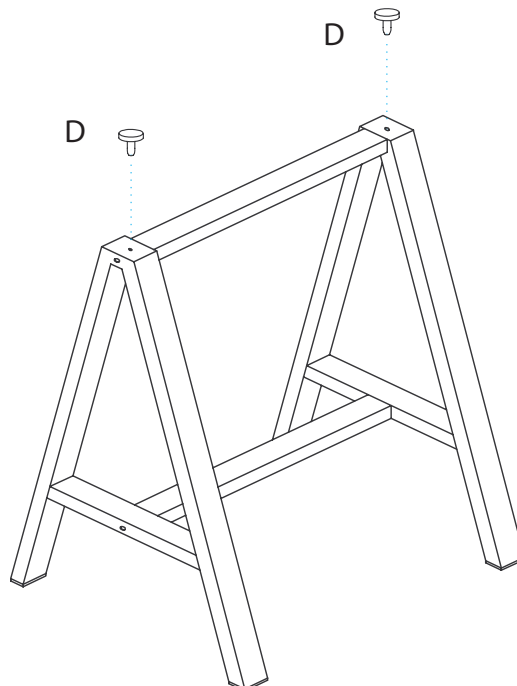


1. Stand 1 sawhorse end (A) upright and align one center brace (B) by the holes in the end. Insert 1 bolt (E) thru the sawhorse end (A) into the center brace (B) and tighten with supplied allen key. Repeat on other end of center brace (B). Repeat step at bottom of sawhorse end (A)

DO THIS STEP TWICE TO CREATE 2 COMPLETE SAWHORSES

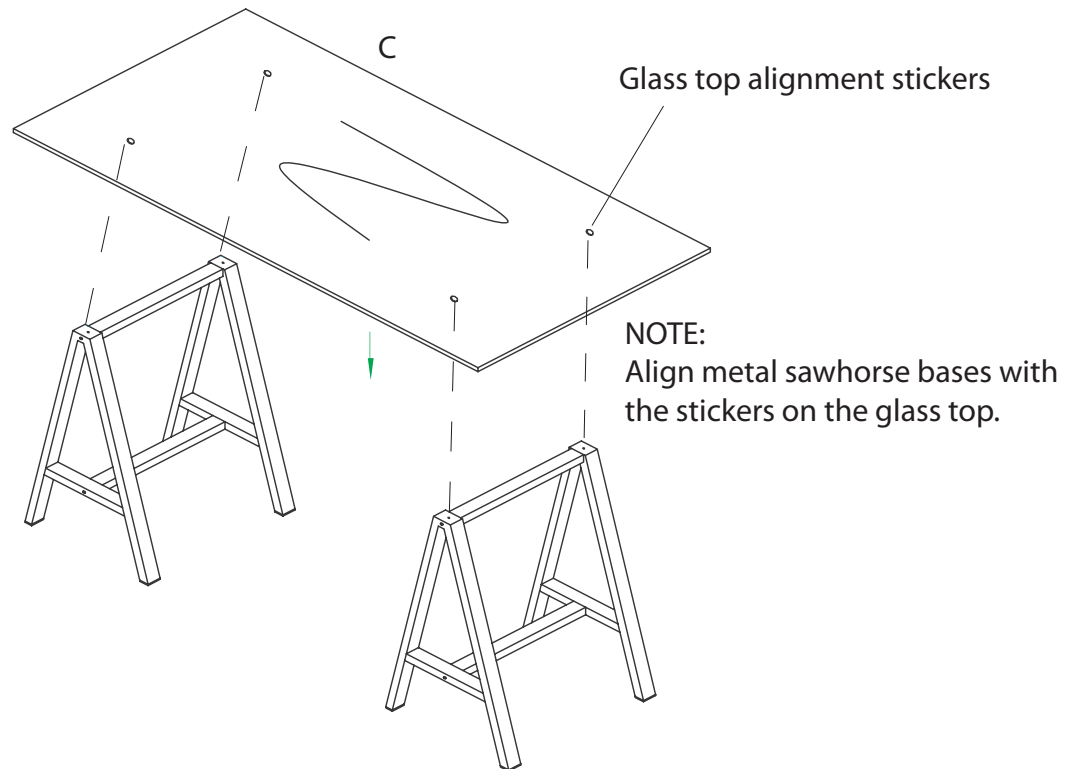
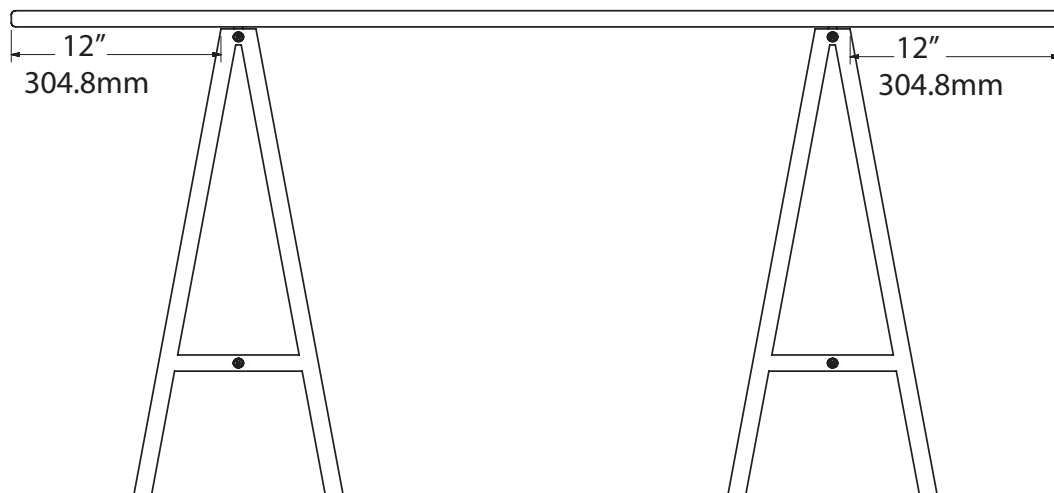


2. Align 2 rubber glass bumpers (D) with the holes in the top of the sawhorses (A) and press firmly into place. Repeat for both sawhorses (A)



3. THIS STEP REQUIRES AT LEAST 2 PEOPLE

Carefully lay glass top (C) on top of metal sawhorses.

**4. Sawhorse ends must be no more than 12" from end of glass.****CARE INSTRUCTIONS**

Hardware may loosen overtime. Periodically check that all connections are tight.
wipe with a soft, dry cloth. To protect finish, avoid the use of chemicals and household cleaners.