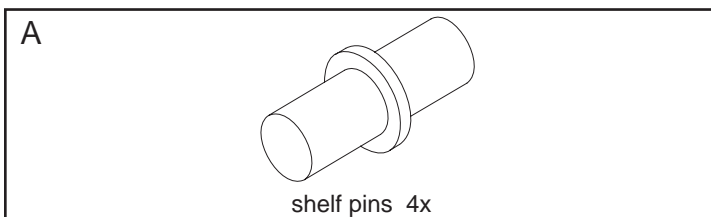


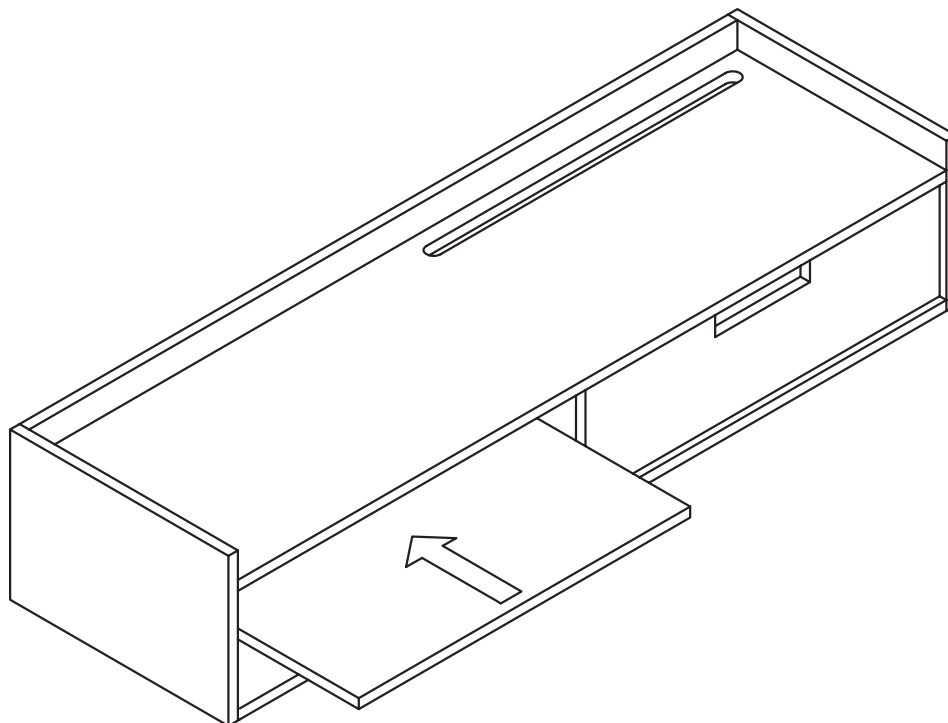
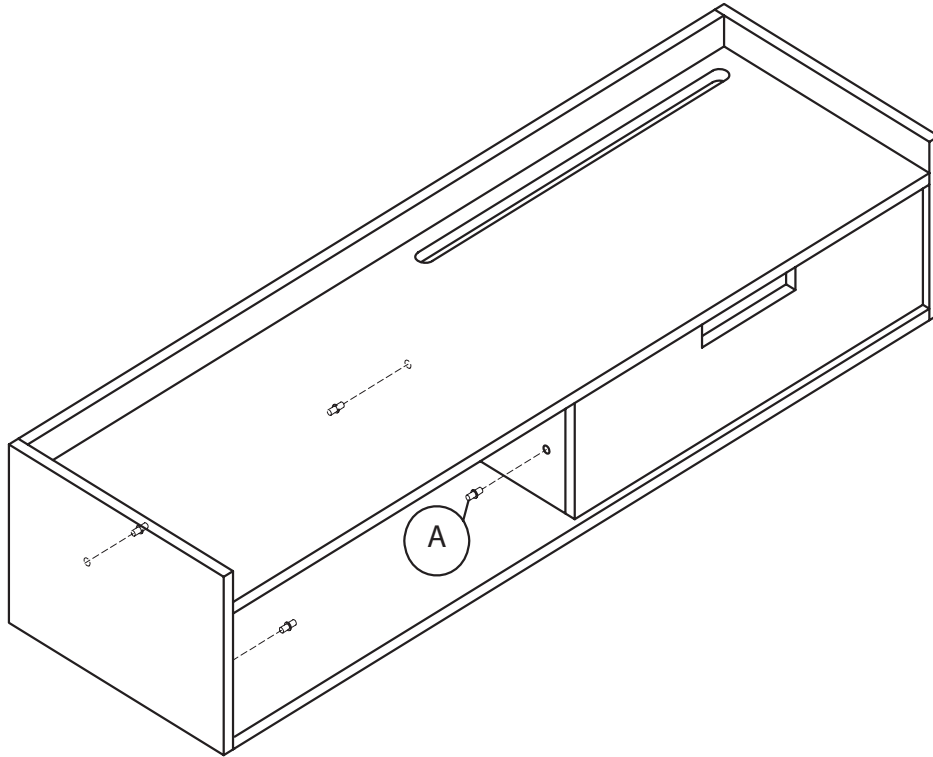
! Do not throw away packaging materials until assembly is complete.

! Assemble this item on a soft surface, such as cardboard or carpet, to protect finish.

Hardware



1. Insert shelf pins (A) into holes. Carefully slide shelf onto pins.



CARE INSTRUCTIONS

Hardware may loosen overtime. Periodically check that all connections are tight.

Wipe with a soft, dry cloth. To protect finish, avoid the use of chemicals and household cleaners.