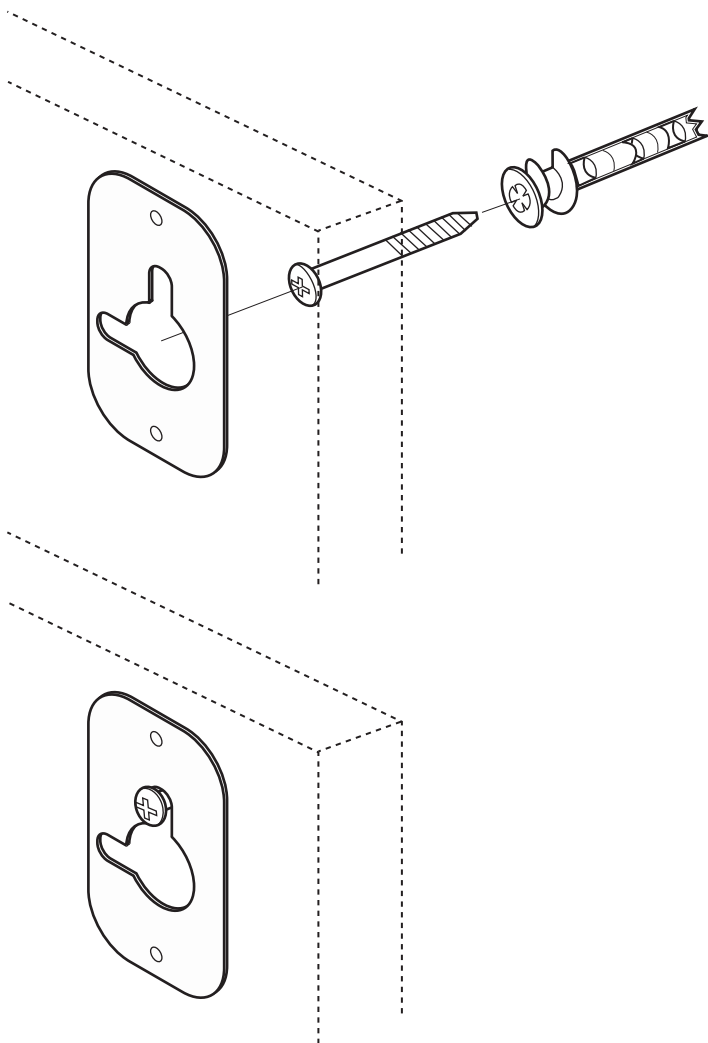
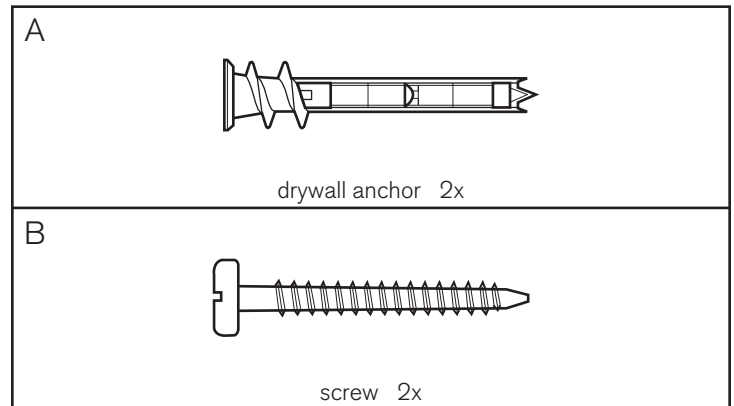


NOTE

- Stud mounting is recommended. When in doubt, consult your local hardware store. For your safety, installation by two people is strongly recommended.
- Wipe frame with a soft, dry cloth. To protect the finish, avoid the use of all chemicals and household cleaners.



! For drywall mounting, use anchors with screws.
! For stud mounting, use screws only.

1. Place the template at the desired location on wall and ensure that the template is level. Using a pencil, mark the locations on the wall as shown. This is where the hardware will be inserted.
2. For stud mounting: skip to step 3. For drywall mounting: using a Philip's head screwdriver, insert the drywall anchors (A) into the wall at the insertion points. Press and turn clockwise until anchors are flush with the wall.
3. Insert screws (B) into the anchors or at the insertion points, leaving approximately 1/2" between the back of the screw head and the wall.
4. Align keyhole notches over the screw heads.
5. Slide the mirror down until it rests on the screws. Tighten or loosen screws as needed to fit the shelf snugly against the wall.