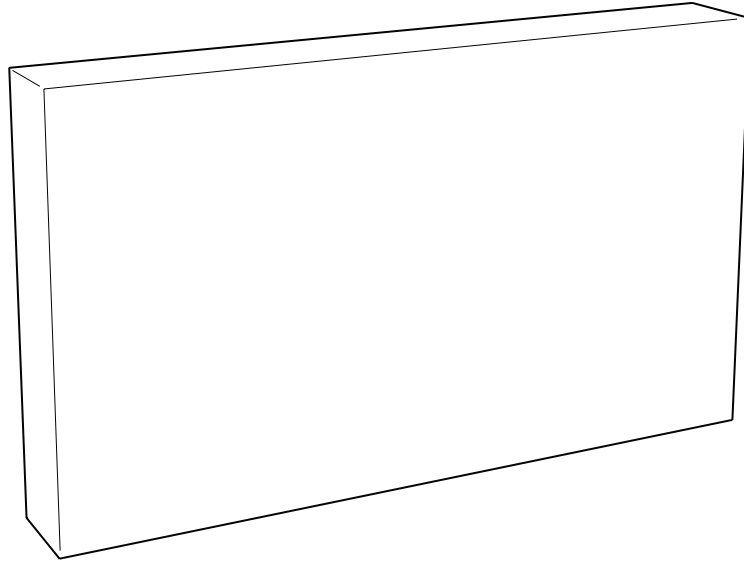


west elm

# upholstered block platform headboard

full, king, queen, california king

assembly instructions

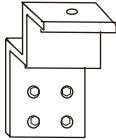

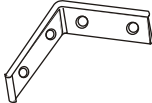
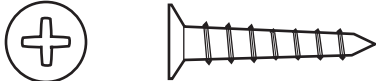
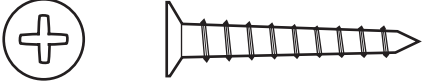



! Tools required: 

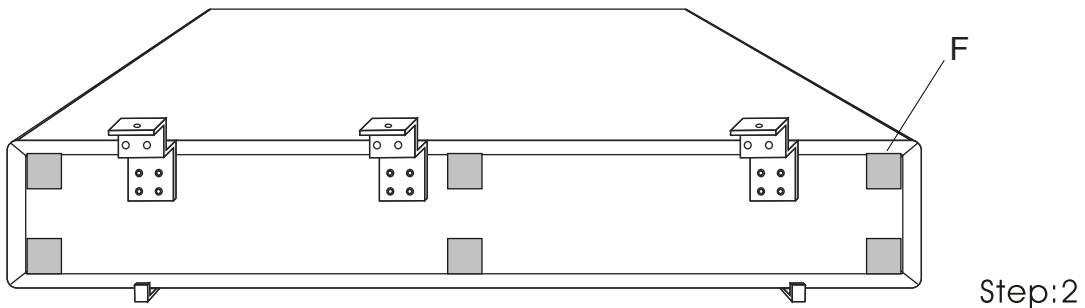
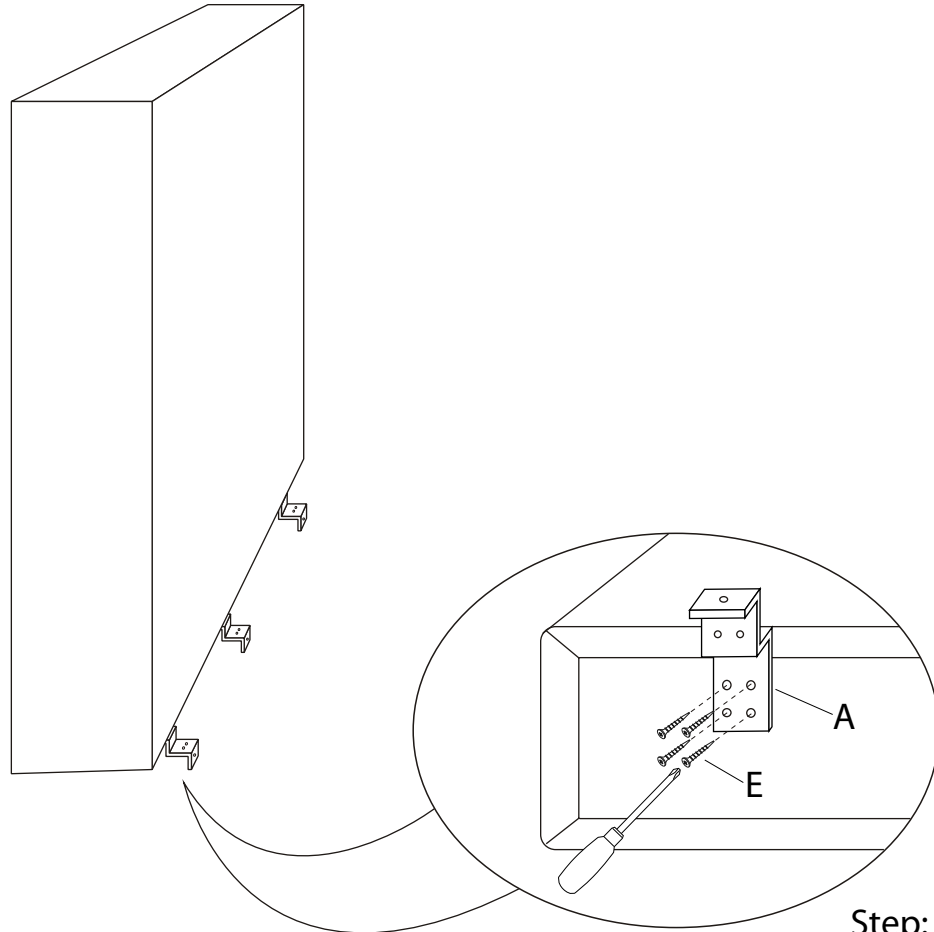
! Do not throw away packaging materials until assembly is complete.

! Assemble this item on a soft surface, such as cardboard or carpet, to protect finish.

! Proper assembly of this item requires 2 people.

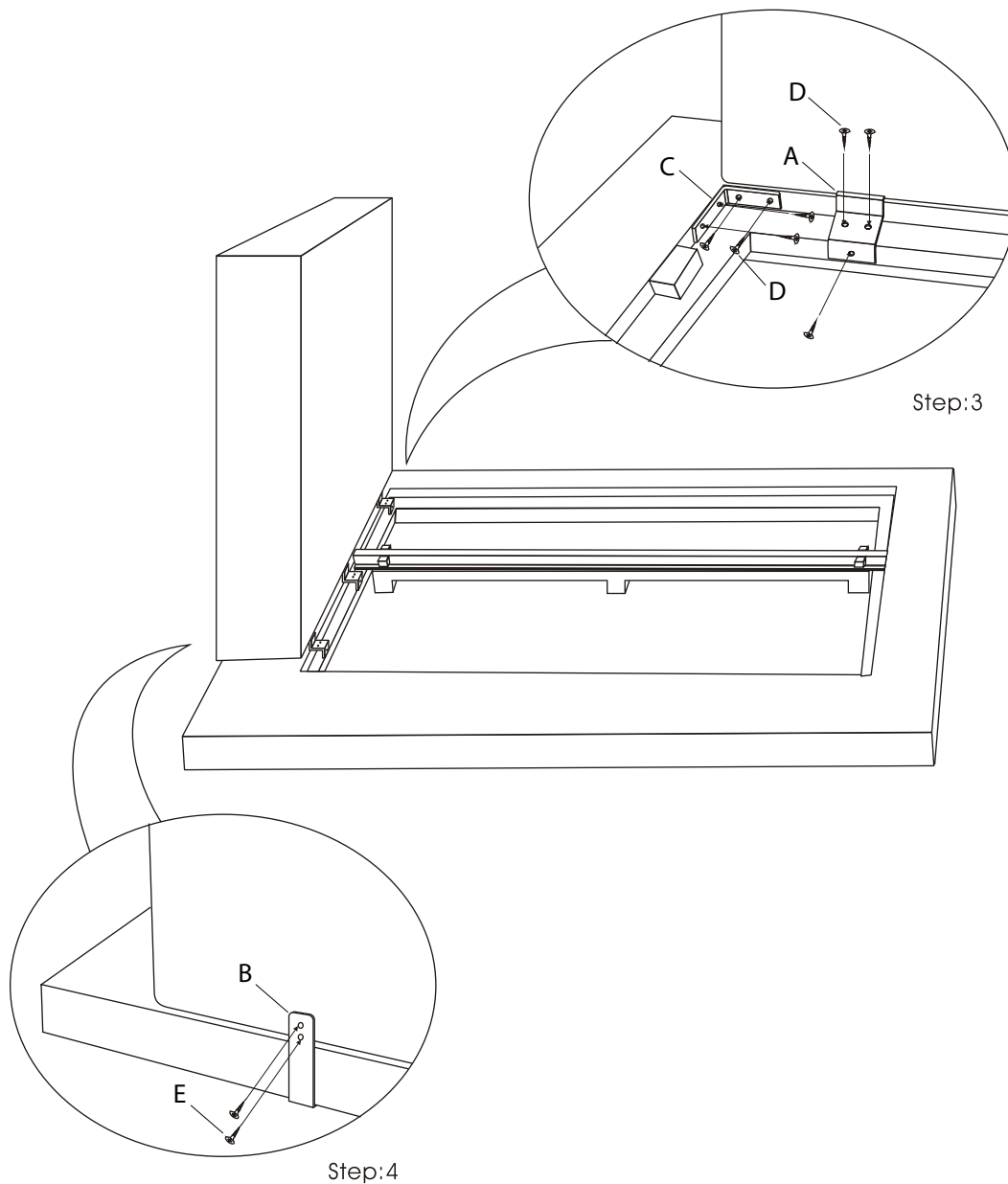
<p>A</p>  <p>bent bracket 3x</p>	<p>B</p>  <p>L bracket 2x</p>
<p>C</p>  <p>angle bracket 2x</p>	<p>D</p>  <p>short screw 17x</p>
<p>E</p>  <p>long screw 16x</p>	<p>F</p>  <p>rubber pad 6x</p>

1. Fasten bent brackets (A) to headboard using long screws (E) as shown.
2. Apply rubber pads (F) to bottom as shown.



3. Place headboard upright on bed frame and fasten angle brackets (C) and bent brackets (A) to top bed corners using short screws (D) as shown.

4. Fasten L brackets (B) to headboard using long screws (E) as shown.



#### CARE INSTRUCTIONS

Hardware may loosen over time. Periodically check that all connections are tight.

Regularly vacuum or brush with nonmetallic stiff-bristle brush to remove dust and grime.

Protect from direct sunlight to prevent fading.