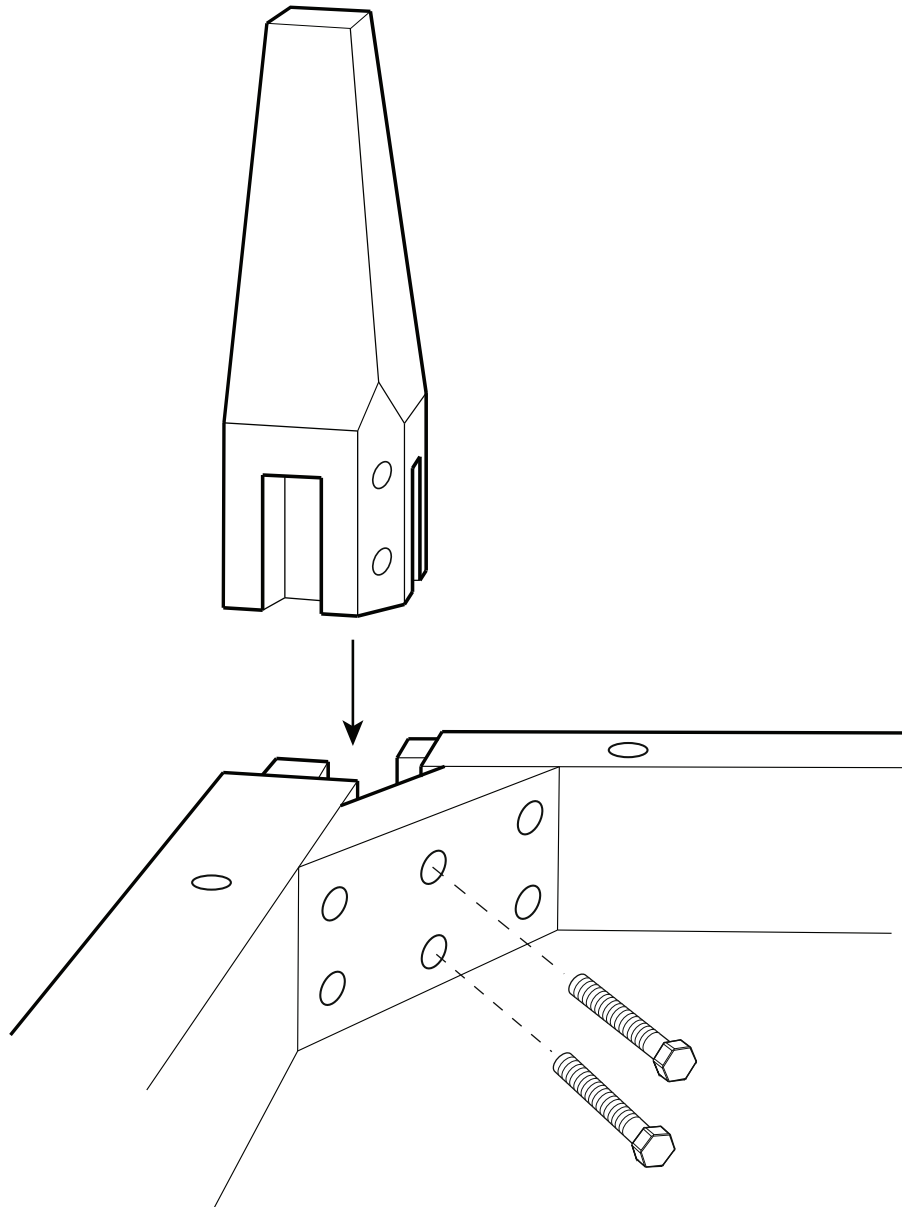


1. Slide legs onto frame as shown.
2. Insert bolts into holes and tighten with wrench.



CARE INSTRUCTIONS

Hardware may loosen over time. Periodically check that all connections are tight.

Wipe with a soft, dry cloth. To protect finish, avoid the use of chemicals and household cleaners.

Upholstery: Spot clean only.