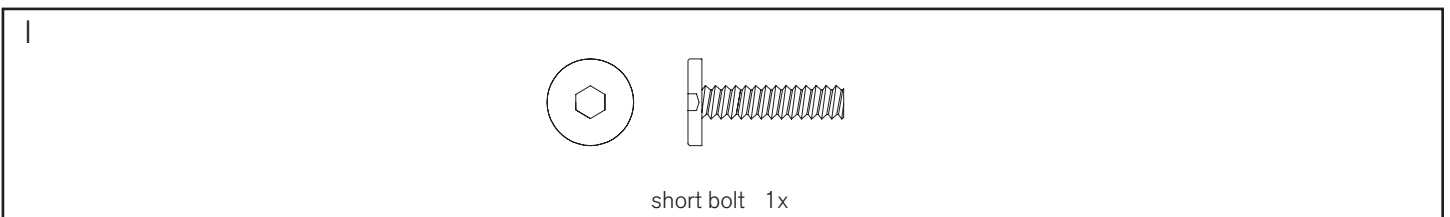
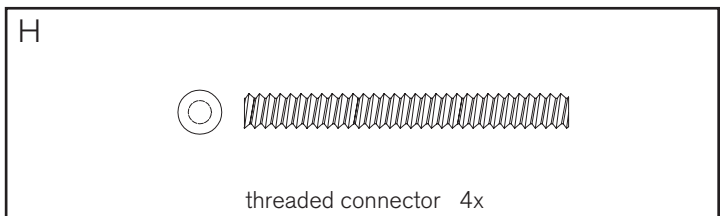
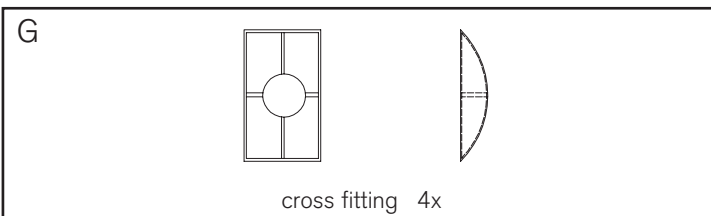
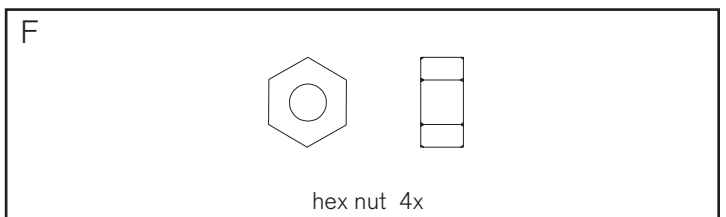
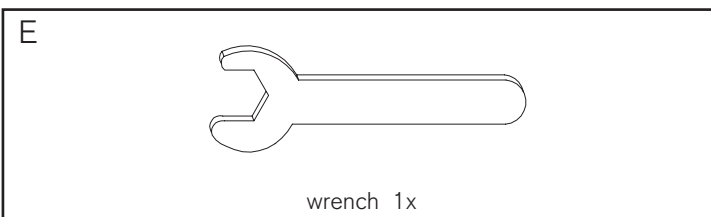
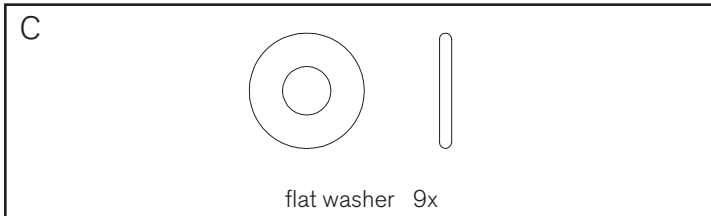
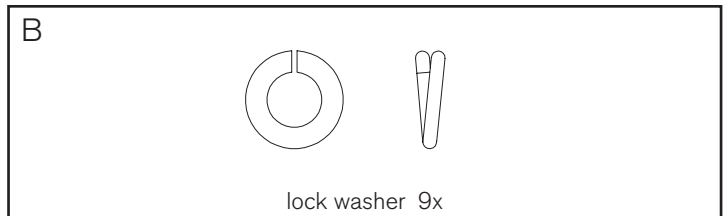
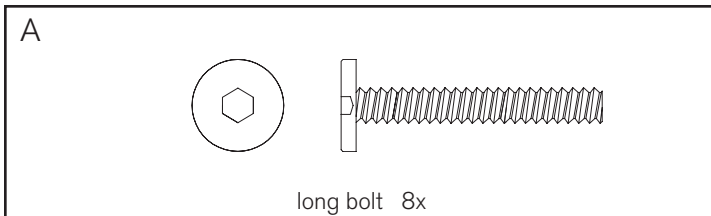


! Tools required: 

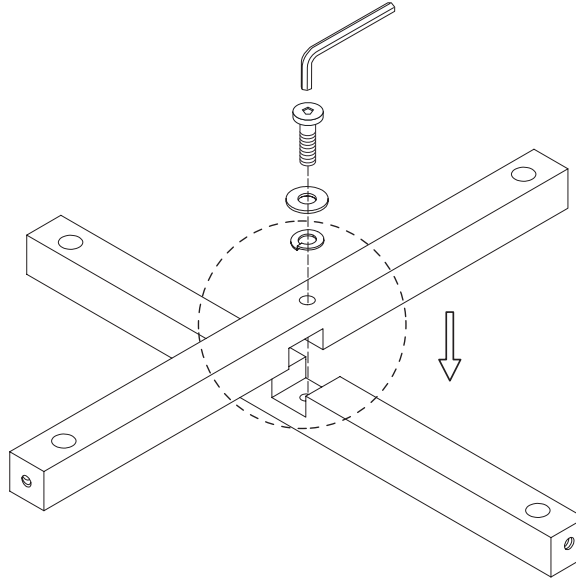
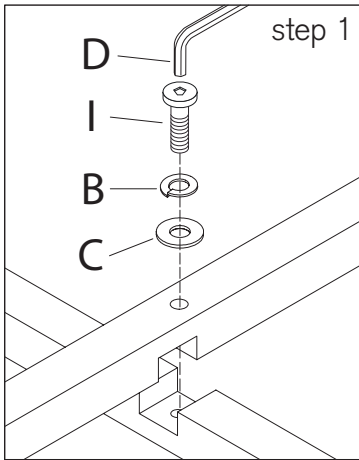
! Do not throw away packaging materials until assembly is complete.

! Assemble this item on a soft surface, such as cardboard or carpet, to protect finish.

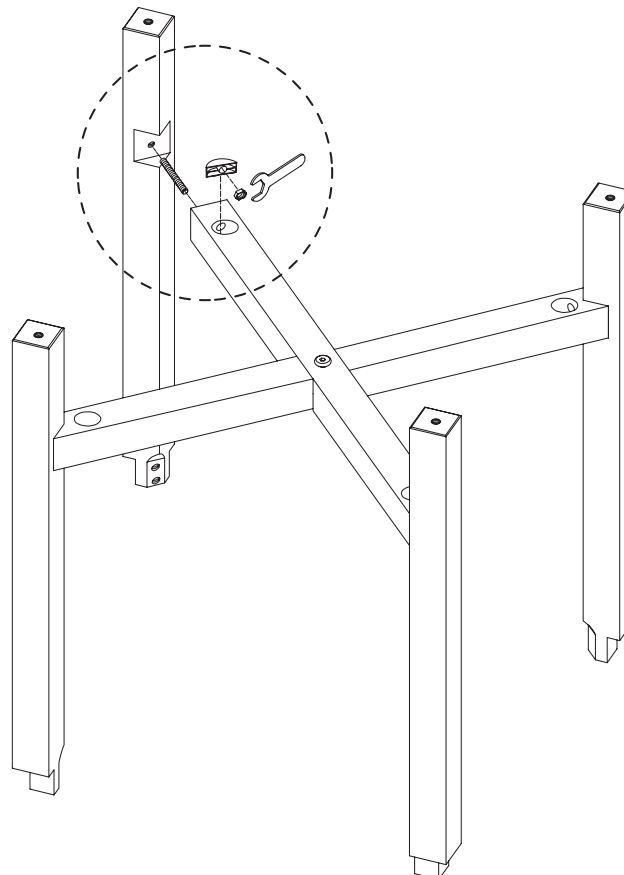
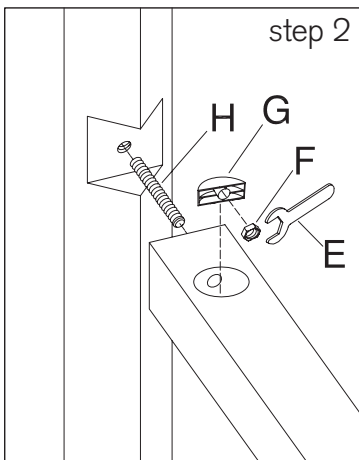
! Proper assembly of this item requires 2 people.



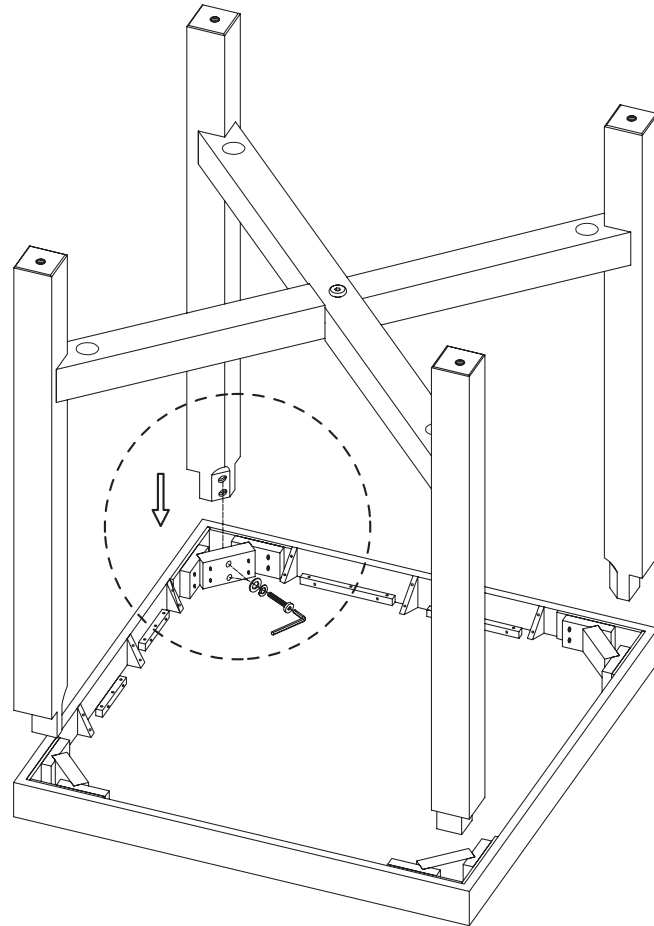
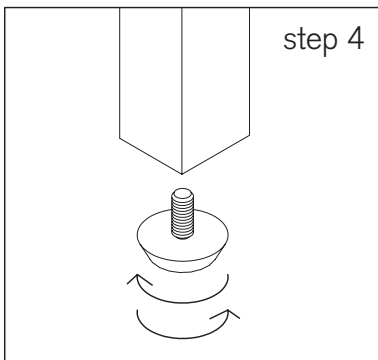
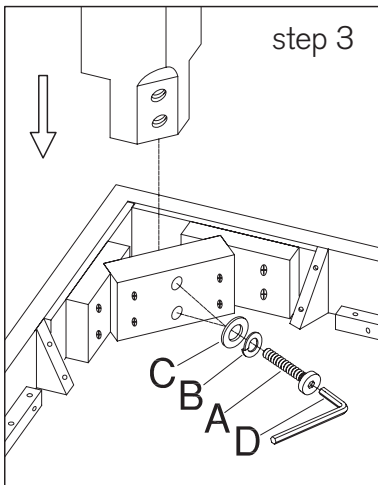
1. Fasten cross brace together using flat washer (C), lock washer (B), and short bolt (I) in order as shown. Tighten bolt using allen key (D).



2. Fasten threaded connectors (H) into legs as shown. Set cross fittings (G) into holes in cross brace and insert threaded connectors through cross fittings. Turn hex nuts (F) onto threaded connectors and tighten using wrench (E).



3. Fasten legs to top using flat washer (C), lock washer (B), and long bolt (A) in order as shown. Tighten bolt using allen key (D).
4. Adjust levelers as needed to prevent tipping.



CARE INSTRUCTIONS

Hardware may loosen over time. Periodically check that all connections are tight.

Wipe with a soft, dry cloth. To protect finish, avoid the use of chemicals and household cleaners.