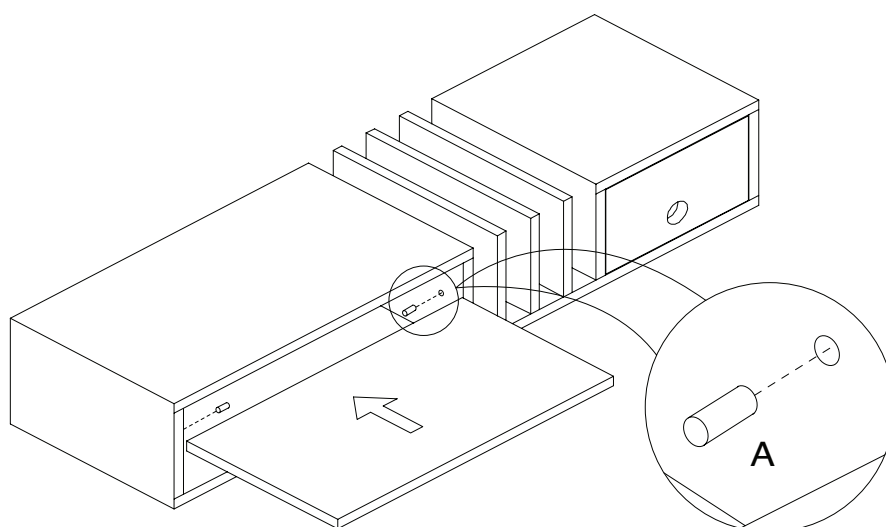


1. Insert 4 shelf pins (A) into holes as shown. Set shelf on pins.



CARE INSTRUCTIONS

Wipe with a soft, dry cloth. To protect finish, avoid the use of chemicals and household cleaners.