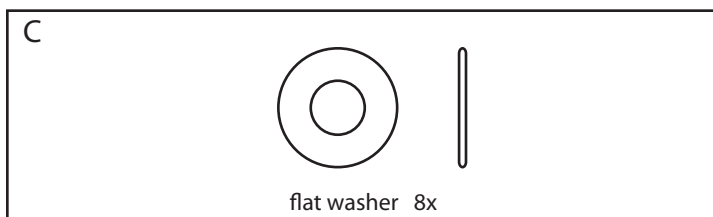
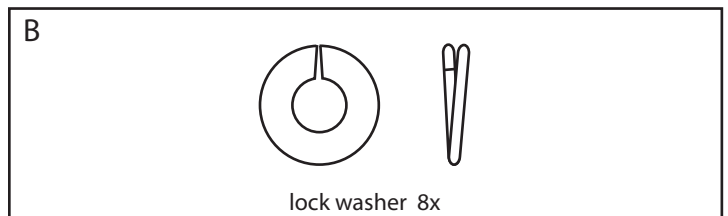
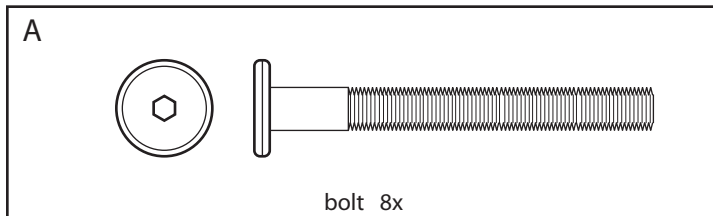
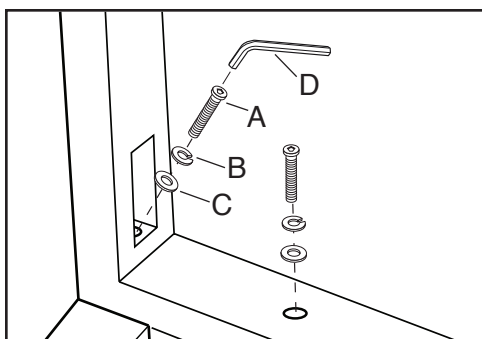
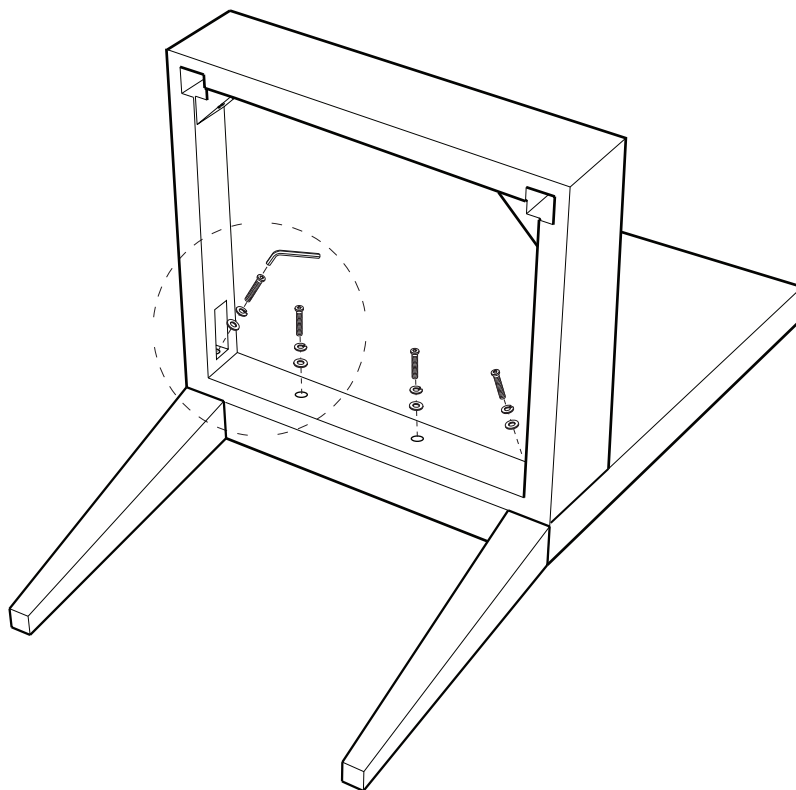


! Do not throw away packaging materials until assembly is complete.

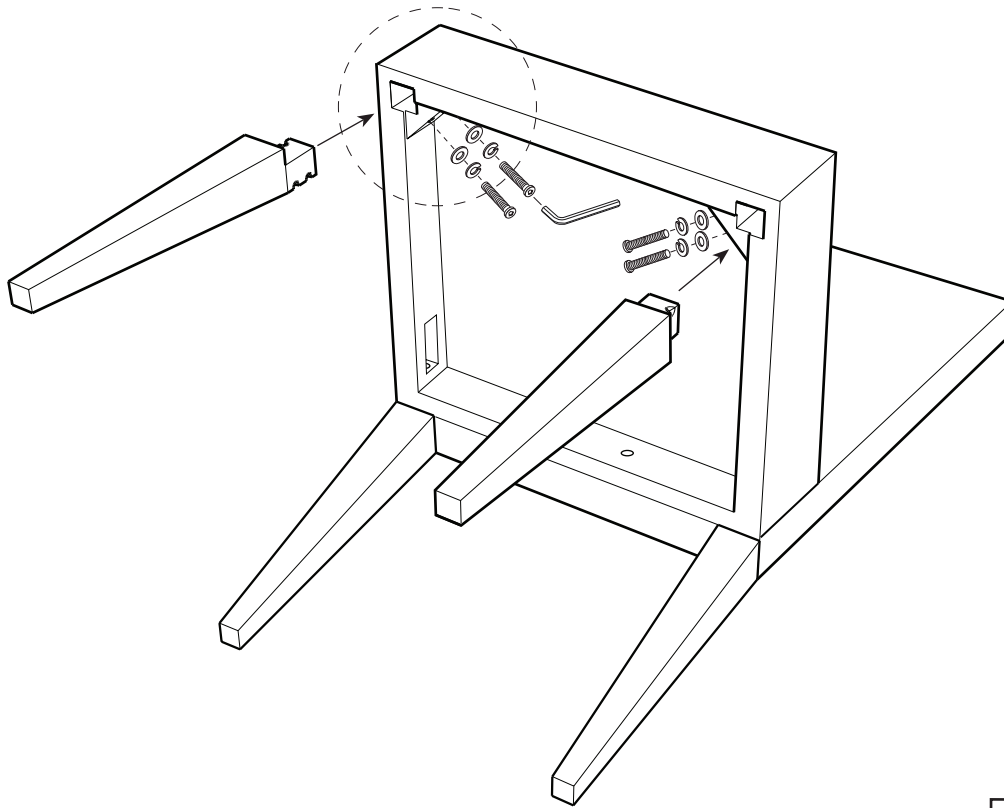
! Assemble this item on a soft surface, such as cardboard or carpet, to protect finish.



1. Lay back frame on the floor and locate seat as shown. Fasten seat to back through holes using 4 bolts (A), lock washers (B), and flat washers (C) in order as shown. Tighten with allen key (D).

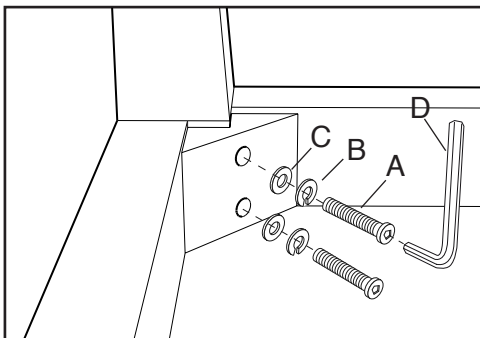


2. Insert left and right front legs into seat frame, orienting each leg as shown. Fasten legs to chair through holes using 4 bolts (A), lock washers (B), and flat washers (C) in order as shown. Tighten with allen key (D).



outside corner

inside edge



CARE INSTRUCTIONS

Hardware may loosen over time. Periodically check that all connections are tight.

Wipe with a soft, dry cloth. To protect finish, avoid the use of chemicals and household cleaners.

Upholstery: Spot clean only.