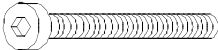
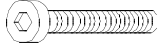
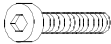




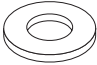




! Tools required: 

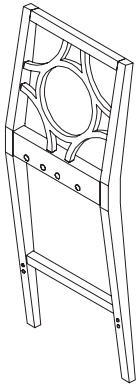
! Do not throw away packaging materials until assembly is complete.

! Assemble this item on a soft surface, such as cardboard or carpet, to protect finish.

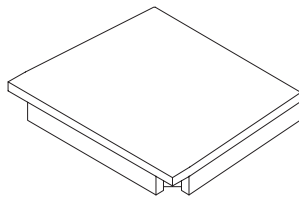
! Proper assembly of this item requires 2 people.

<p>A</p>  <p>long bolt 5/16" x 3 -1/2" 4x</p>	<p>B</p>  <p>medium bolt 5/16" x 2 -1/2" 4x</p>
<p>C</p>  <p>short bolt 5/16" x 1 -3/4" 2x</p>	<p>D</p>  <p>smallest bolt 1/4" x 1 -1/2" 6x</p>
<p>E</p>  <p>large lock washer 10x</p>	<p>F</p>  <p>large flat washer 10x</p>
<p>G</p>  <p>small lock washer 6x</p>	<p>H</p>  <p>small flat washer 6x</p>
<p>I</p>  <p>large allen key 1x</p>	<p>J</p>  <p>small allen key 1x</p>

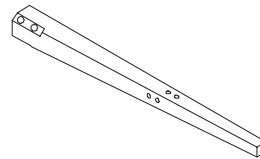
parts provided:



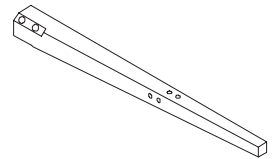
1- chair back



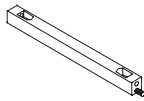
2- seat



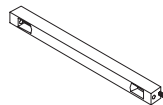
3- left front leg



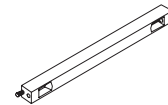
4- right front leg



5- front stretcher

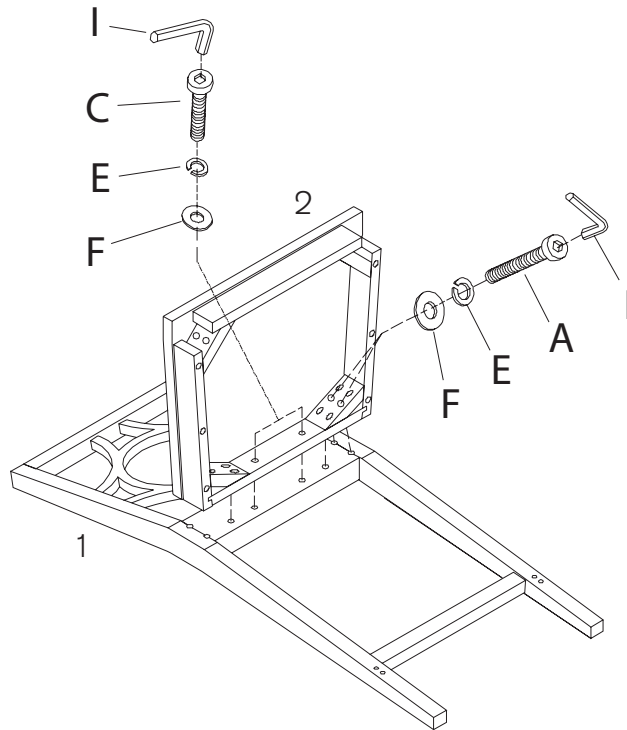


6- left side stretcher

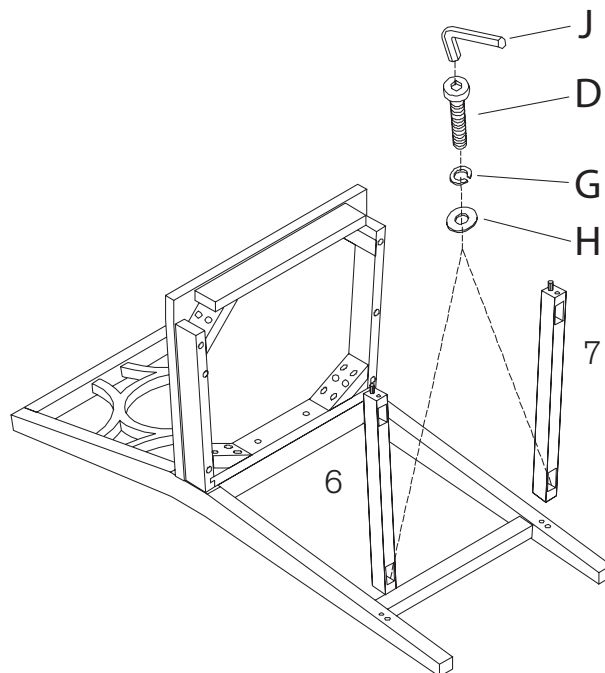


7- right side stretcher

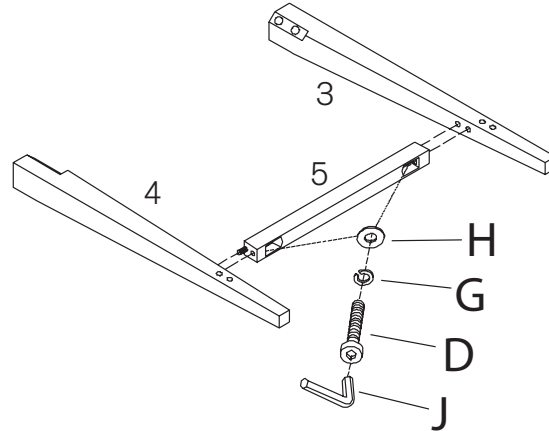
1. Fasten the seat (2) to the chair back (1) through center holes using short bolts (C), large lock washers (E), and large flat washers as shown. Tighten bolts using large allen key (I).
2. Fasten the seat to the chair back through corner blocks using long bolts (A), large lock washers (E), and large flat washers as shown. Tighten bolts using large allen key (I).



3. Fasten the left side stretcher (6) and right side stretcher (7) to the back legs using smallest bolts (D), small lock washers (G), and small flat washers (H) as shown. Tighten bolts using small allen key (J).

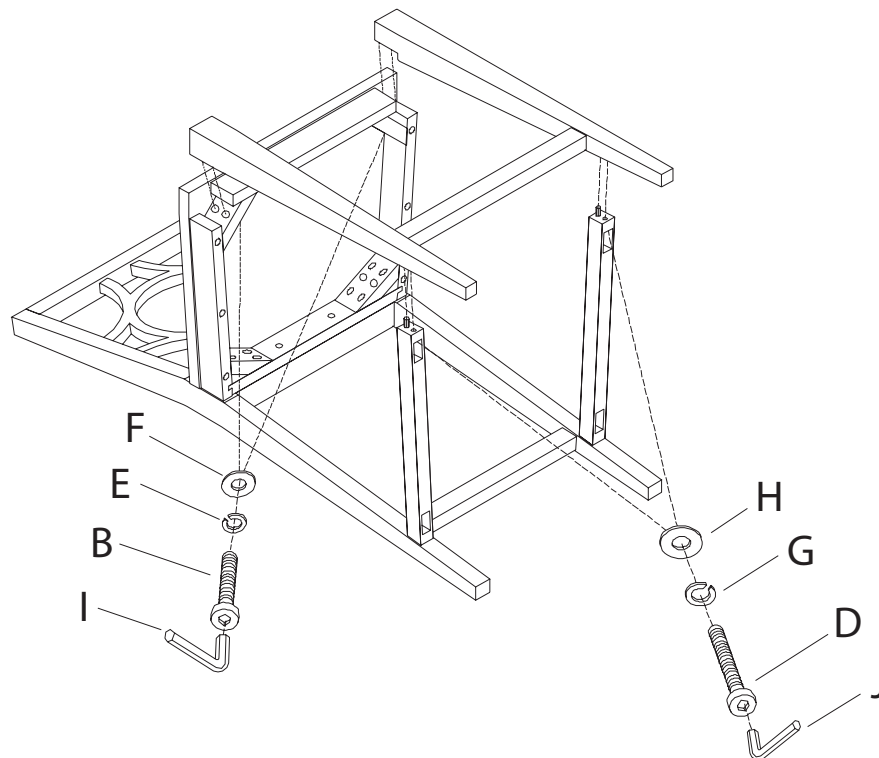


4. Fasten the front stretcher (5) to the left front leg (3) and right front leg (4) using smallest bolts (D), small lock washers (G), and small flat washers (H) as shown. Tighten bolts using small allen key (J).



5. Fasten the front legs to the seat using medium bolts (B), large lock washers (E), and large flat washers (F) as shown. Tighten bolts using large allen key (I).

6. Fasten the side stretchers to the front legs using smallest bolts (D), small lock washers (G), and small flat washers (H) as shown. Tighten bolts using small allen key (J).



CARE INSTRUCTIONS

Hardware may loosen over time. Periodically check that all connections are tight.

Wipe with a soft, dry cloth. To protect finish, avoid the use of chemicals and household cleaners.