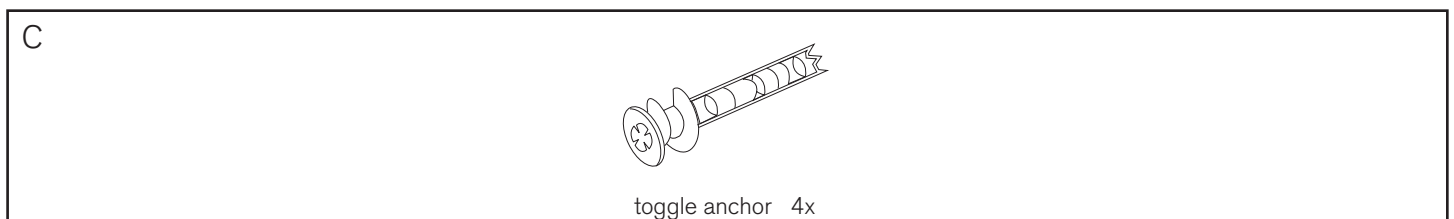
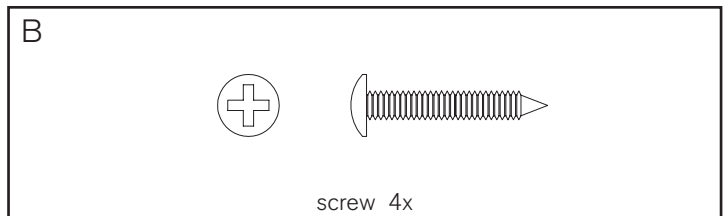
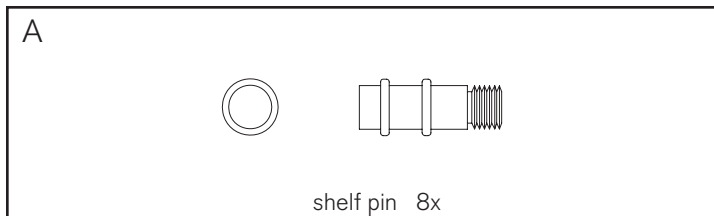


! Tools required: 

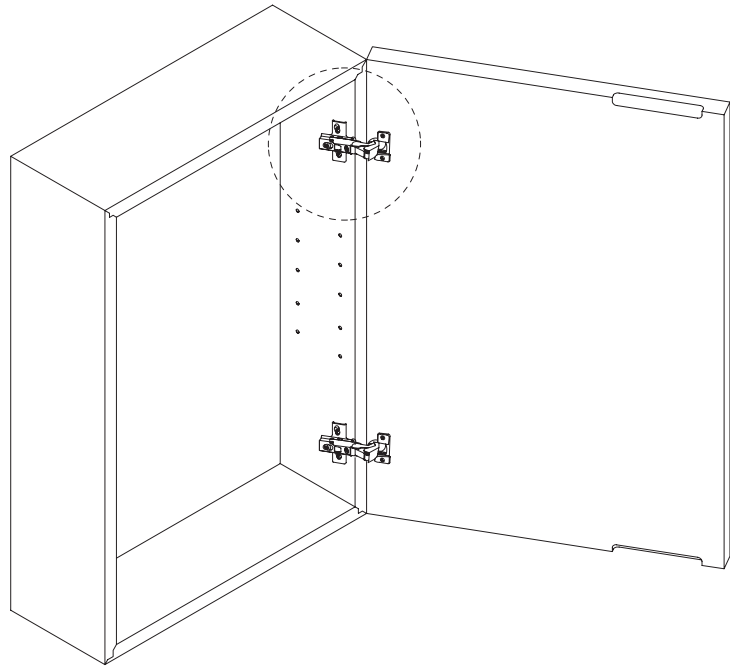
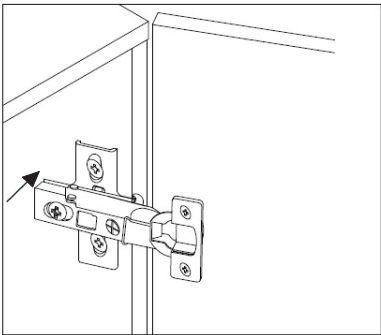
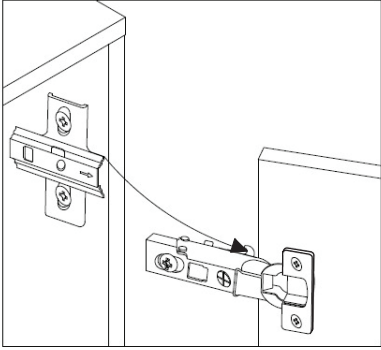
! Do not throw away packaging materials until assembly is complete.

! Assemble this item on a soft surface, such as cardboard or carpet, to protect finish.

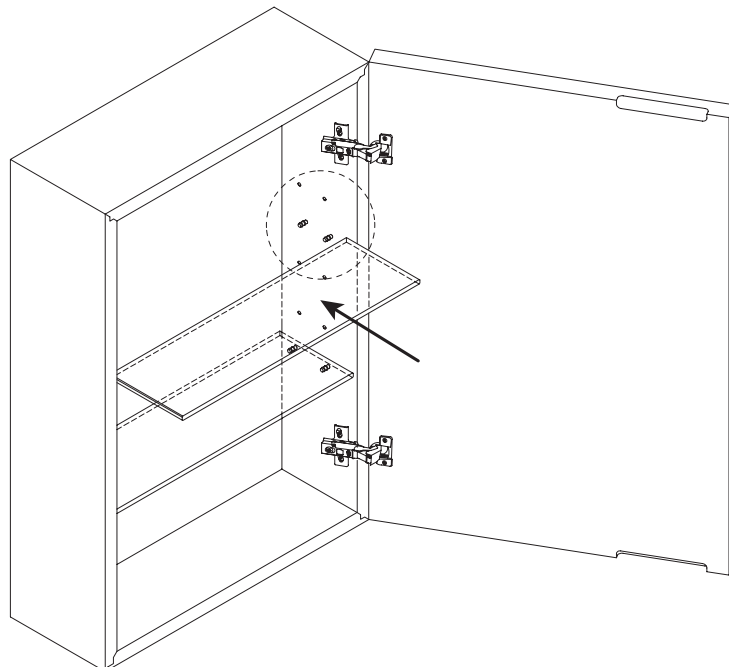
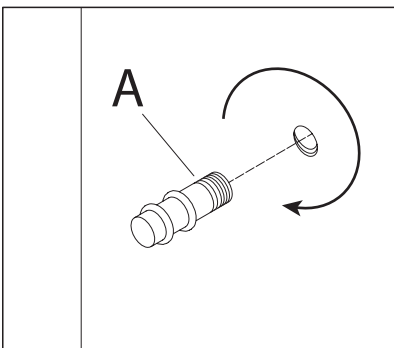
! Proper assembly of this item requires 2 people.



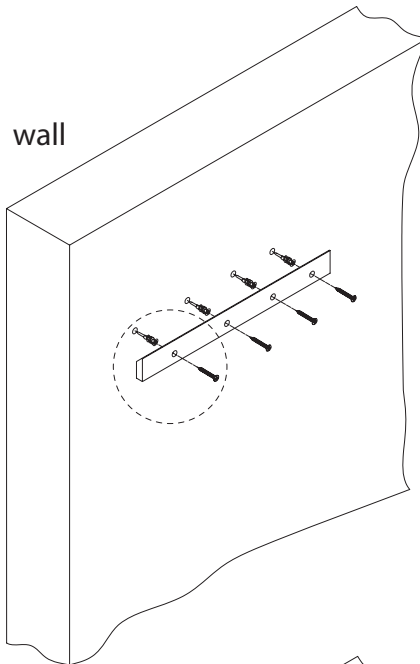
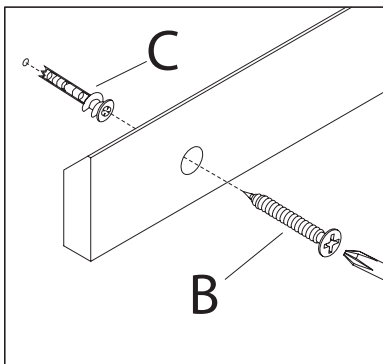
1. Connect door to cabinet panel by snapping hinges together as shown.



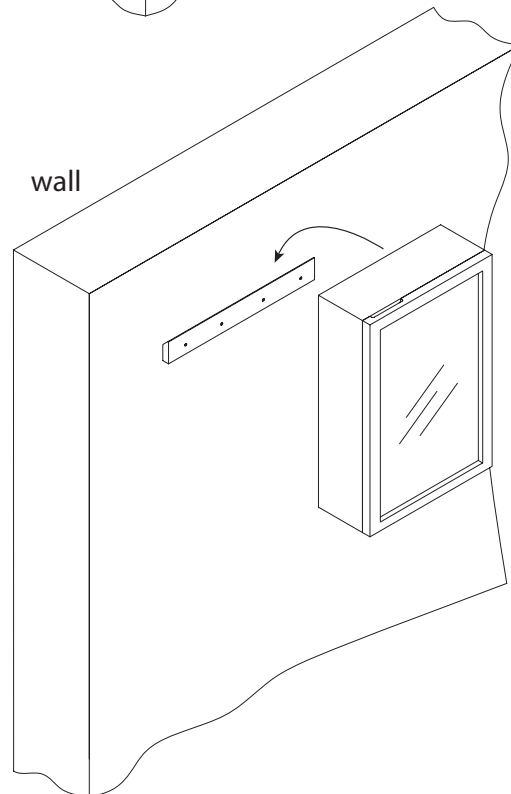
2. Screw in shelf pins (A) at desired locations inside cabinet. Set glass shelves onto shelf pins.



4. Hold cleat at desired location and mark through holes in cleat onto wall to locate anchor insertion points.
5. Insert toggle anchors (C) into marked insertion points in wall using a phillips screwdriver.
6. Fasten cleat into wall anchors using screws (B). Tighten screws using a phillips screwdriver.



7. Hang cabinet onto cleat.



CARE INSTRUCTIONS

Hardware may loosen over time. Periodically check that all connections are tight.

Wipe with a soft, dry cloth. To protect finish, avoid the use of chemicals and household cleaners.