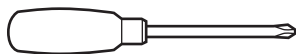


! Tools required:



! Do not throw away packaging materials until assembly is complete.

! Assemble this item on a soft surface, such as cardboard or carpet, to protect finish.

HARDWARE

A		LARGE SCREWS	4 PCS
B		SMALL SCREW	4 PCS
C		ALLEN KEY	1 PCS

PARTS

① KEYBOARD TRAY X 1



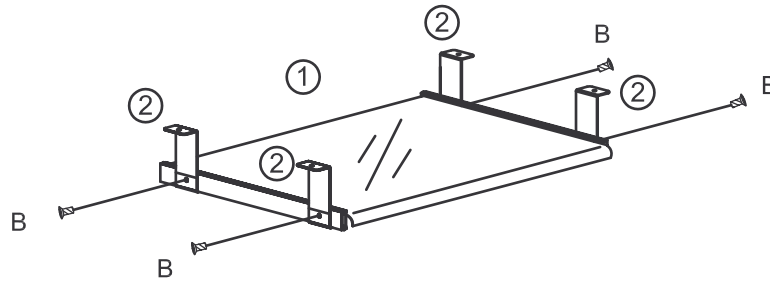
② BRACKET X 4



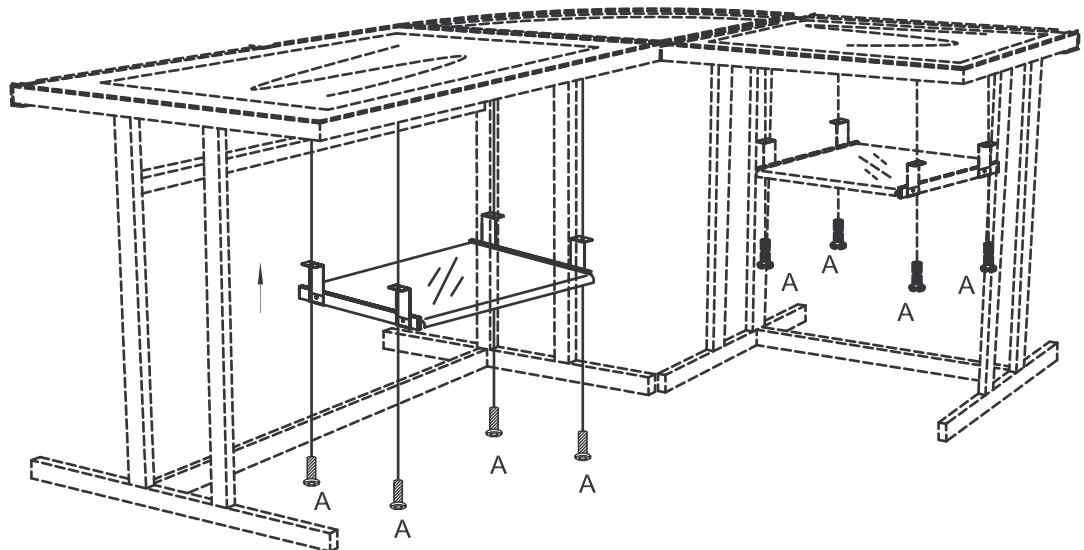
NOTE: SMALL AND LARGE DESKS SOLD SEPARATELY

Step1

ATTACH BRACKET ② TO KEYBOARD TRAY ① USING SCREW (B)

**Step2**

ATTACH THE KEYBOARD TRAY TO METAL & GLASS LARGE OR SMALL WORKSTATION USING SCREW (A)

**CARE INSTRUCTION**

Hardware may loosen over time. Periodically check that all connections are tight.

Wipe with a soft, dry cloth. To protect finish, avoid the use of chemicals and household cleaners.