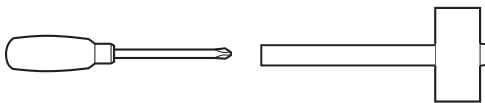


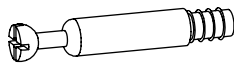
! Tools required:



! Do not throw away packaging materials until assembly is complete.

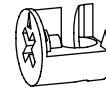
! Assemble this item on a soft surface, such as cardboard or carpet, to protect finish.

A



cam screw 8x

B



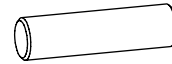
cam lock 8x

C



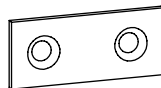
shelf bracket 2x

D



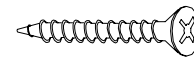
wooden dowel 8x

E



mounting plate 1x

F



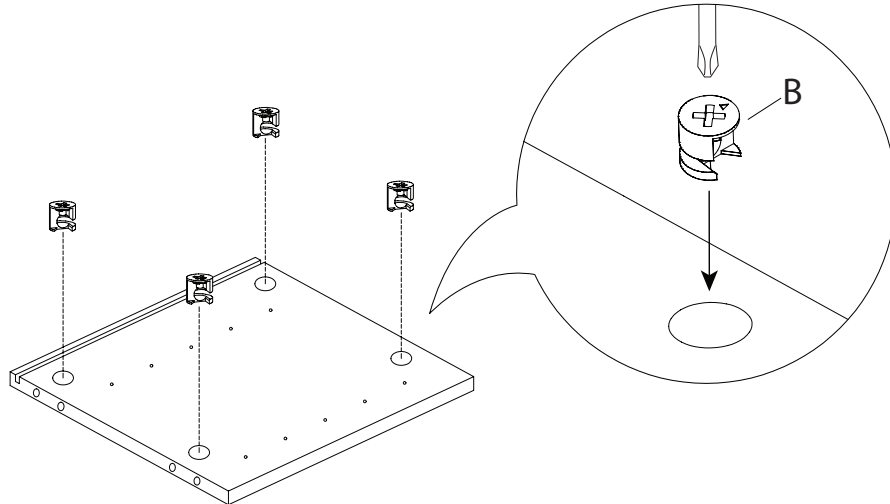
screw 2x

G

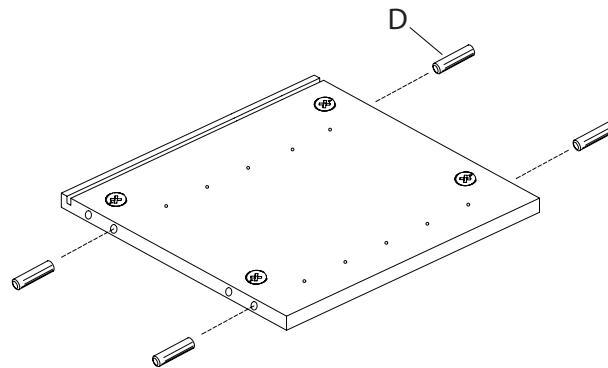


felt pad 6x

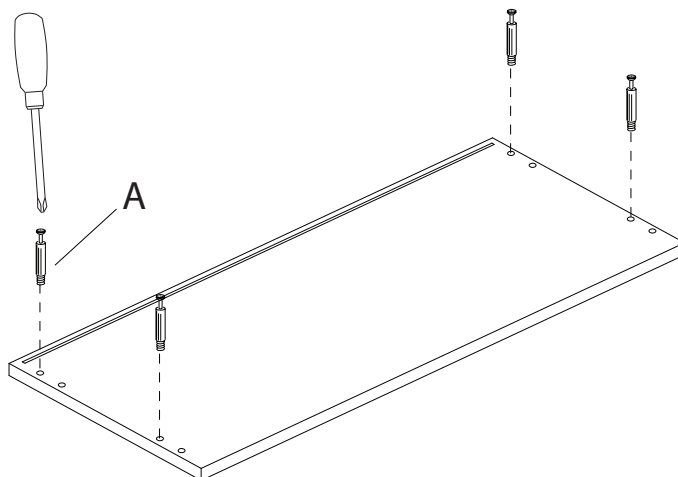
1. Insert cam locks (B) into holes of side panels. Turn cam locks with a phillips screwdriver so that the arrow on top is pointing out as shown.



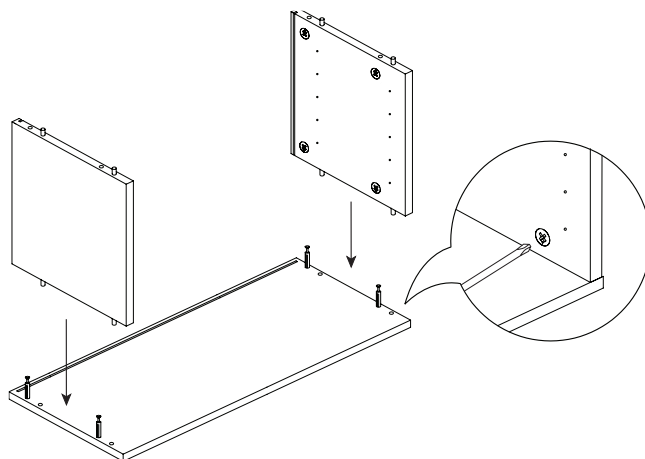
2. With a hammer gently tap wooden dowels (D) into holes in side of panels as shown.



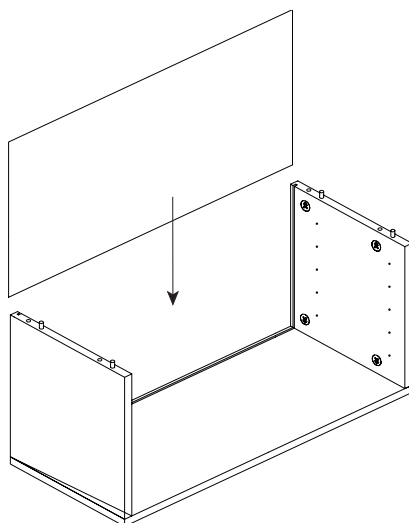
3. Insert cam screws (A) into top and bottom panels as shown and tighten with a phillips screwdriver.



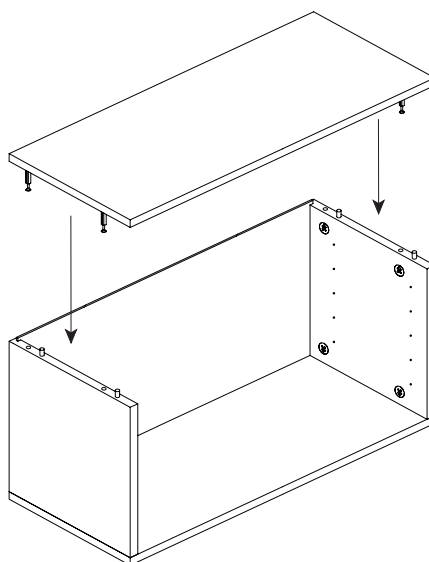
4. Fasten side panels to bottom panel. Fit cam screws into cam locks and tighten using phillips screwdriver.



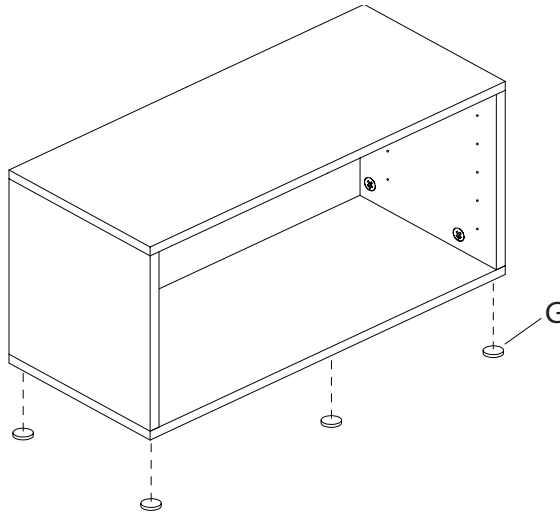
5. Slide back panel into groove. Make sure panel slides all the way into the bottom panel groove.



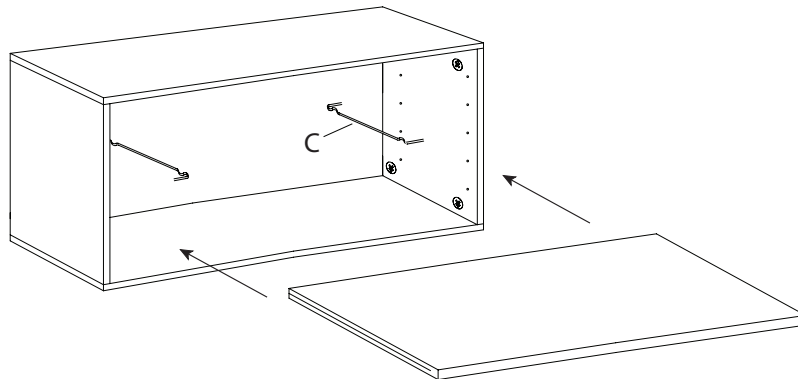
6. Fasten top panel to side panels. Fit cam screws into cam locks and tighten using phillips screwdriver.



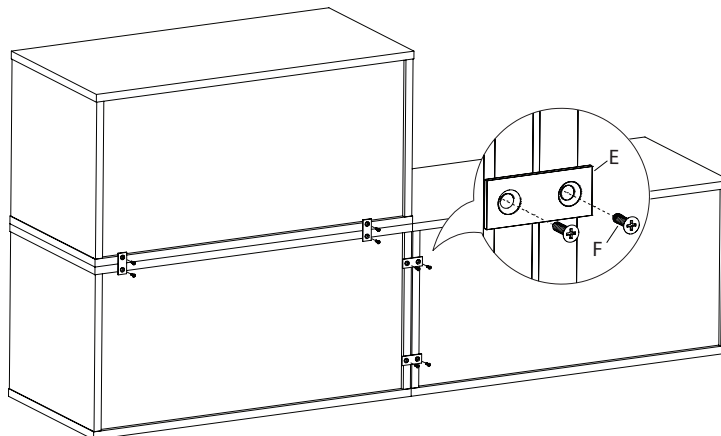
7. Attach felt pads (G) to base of unit.



8. Insert shelf brackets (C) into holes at desired position. Slide shelf over brackets into cabinet.



9. Multiple units can be attached together as shown using screws (F) and mounting plate (E).



CARE INSTRUCTIONS

Hardware may loosen over time. Periodically check that all connections are tight.

Wipe with a soft, dry cloth. To protect finish, avoid the use of chemicals and household cleaners.