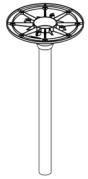


Scene Single Base Assembly Instructions

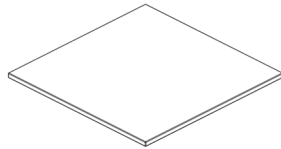
Component List



Column [x1]



Base [x1]



Worksurface [x1]



#12 x 1" Pan Head [x12]

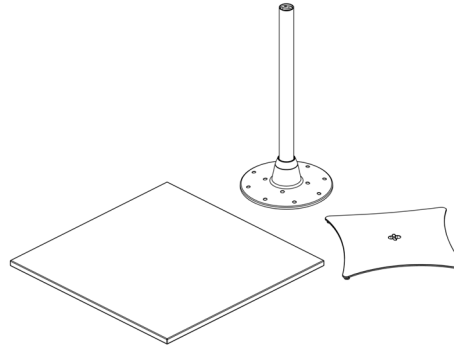


3/8-16 x 1 1/2" SHCS [x2]

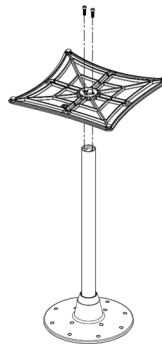


Allen Wrench 5/16" [x1]

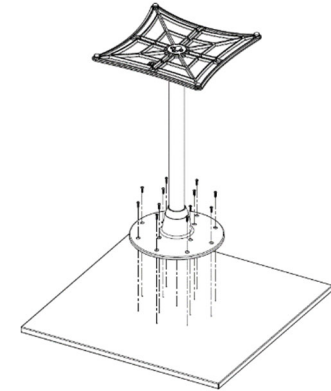
Step 1: Remove column, worksurface, and base from shipping carton.



Step 2: Assemble Base aligning holes in column assembly and fasten securely using enclosed 3/8-16 x 1 1/2" SHCS [x2]



Step 3: Flip the worksurface over onto its face with pilot holes facing upwards. Place the assembly onto the worksurface aligning the holes on the worksurface and fasten using enclosed #12 x 1" Pan Head [x12]



Step 4: Flip the table over onto the base. Finished.

