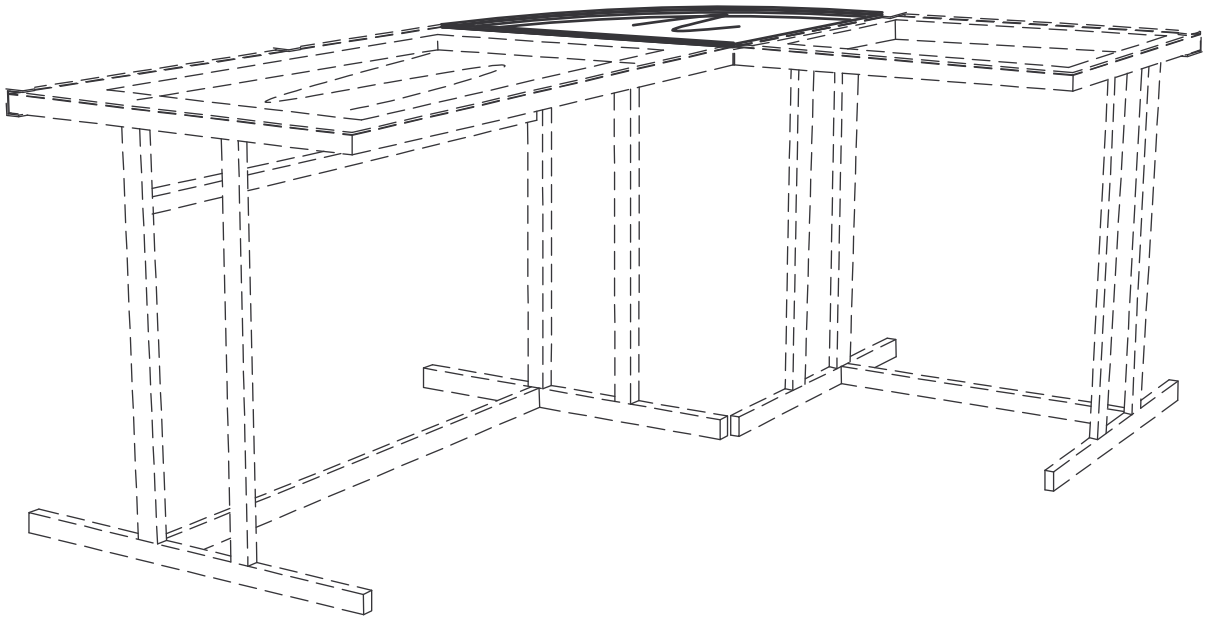


west elm

cadman metal and glass corner piece




assembly instructions



! Do not throw away packaging materials until assembly is complete.

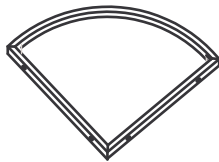
! Assemble this item on a soft surface, such as cardboard or carpet, to protect finish.

HARDWARE

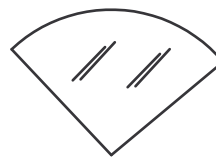
A		SCREWS	4 PCS
B		ALLEN KEY	1 PCS
C		GLASS PAD	6 PCS

PARTS

① TOP FRAME X 1



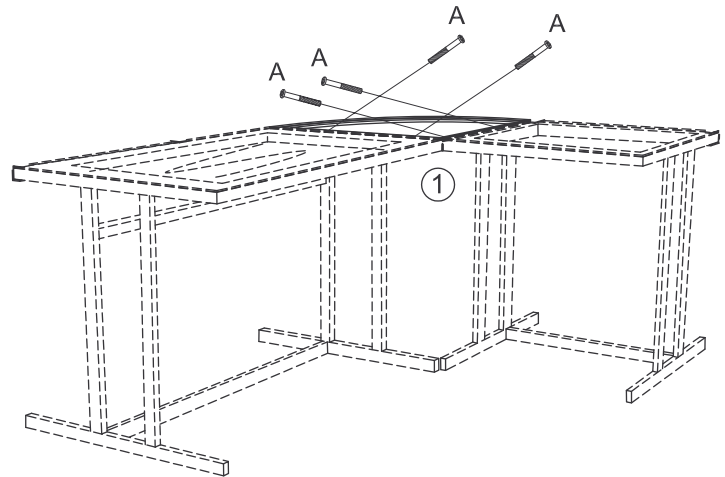
② GLASS TOP X 1



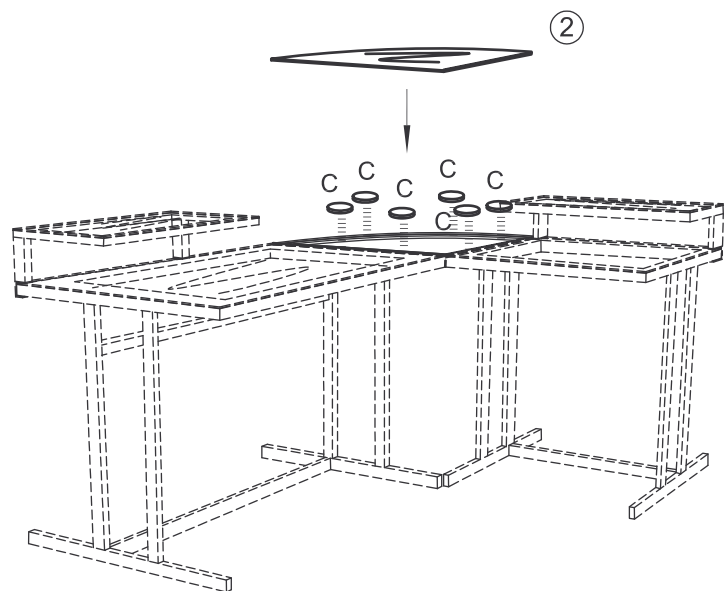
NOTE: SMALL AND LARGE DESKS SOLD SEPARATELY

Step 1

ATTACH TOP FRAME ① TO METAL & GLASS LARGE AND SMALL WORKSTATION USING SCREW (A)

**Step 2**

ATTACH GLASS PAD (C) TO TOP FRAME ① THEN PLACE THE GLASS TOP ② ONTO THE TOP FRAME ①

**CARE INSTRUCTION**

Hardware may loosen over time. Periodically check that all connections are tight.

Wipe with a soft, dry cloth. To protect finish, avoid the use of chemicals and household cleaners.