

# west elm: modular wall shelf

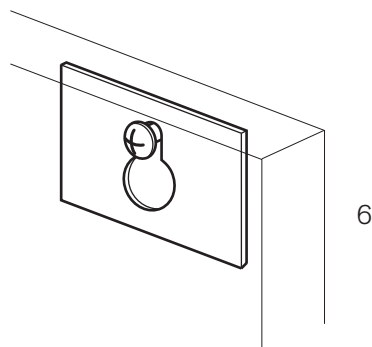
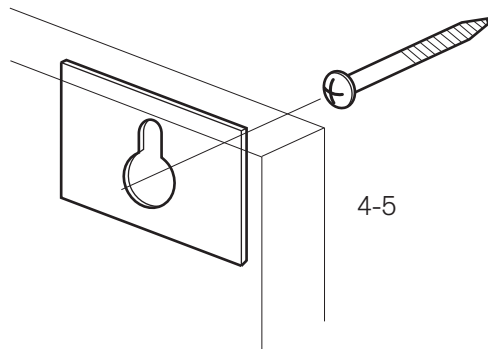
## mounting instructions

! Stud mounting recommended. Use proper hardware for your wall type (such as plastic anchors for drywall). When in doubt, consult your local hardware store. For your safety, assembly by two people is strongly recommended.

! Designed to be used for decorative items only.

! This shelf can be mounted in two different orientations.

! Wipe with a soft, dry cloth. Avoid cleaners and abrasives as they may damage the finish.



1. Hold shelf at desired location. With a pencil, mark on wall the top outside corners. These marks will be used to determine the location of your mounting hardware.
2. Measure down from the top of the shelf to the top of both keyhole notches. Record these measurements on the wall, using the marks in step one as a guide.
3. Measure in from the side of the shelf to the top of both keyhole notches. Again, record these measurements on the wall. Align the two measurements until they intersect. This is the insertion point of your mounting hardware. Use a carpenter's level to ensure the item will be level.
4. Insert screws into wall, leaving approximately 1/2" between the back of the screw head and the wall.
5. Align keyhole notches over the screw heads.
6. Slide shelf down until the top of the keyholes rests on the screws. Tighten or loosen screws as needed to fit item snugly against the wall.