

Important Safety Instructions:

- These instructions are provided for your safety. It is very important that they are read carefully and completely before beginning the assembly and installation of this lighting fixture.
- This portable luminaire has a polarized plug (one blade is wider than the other) as a safety feature to reduce the risk of electric shock. This plug will fit in a polarized outlet only one way. If the plug does not fit fully in the outlet, reverse the plug. If it still does not fit, contact a qualified electrician. Never use with an extension cord unless plug can be fully inserted. Do not alter the plug. Do not attempt to defeat this safety feature.
- This fixture has been rated for up to five (5) **40-watt maximum TYPE G standard incandescent light bulb** (not included) or five (5) **9-watt compact fluorescent light bulb** (not included) or five (5) **5-watt SBLED light bulb** (included). To avoid the risk of fire, do not exceed the recommended lamp wattage.
- The lamp is meant for indoor use.
- **Save these instructions.**

WARNING:

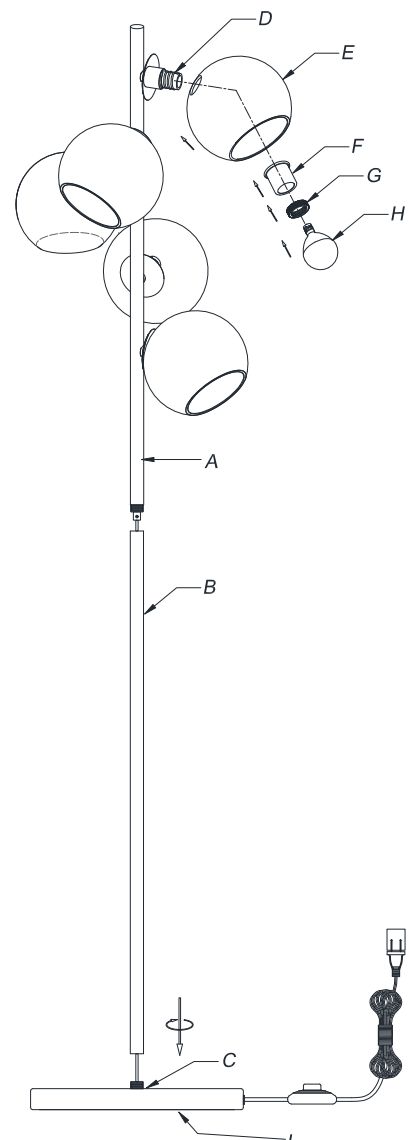
- **To reduce the risk of fire, electrical shock or personal injury, always turn off and unplug the light fixture and allow it to cool prior to replacing the light bulb.**
- **Do not touch bulb when fixture is turned on. Do not look directly at lit bulb.**
- **Keep flammable materials away from lit bulb.**

Pre-assembly:

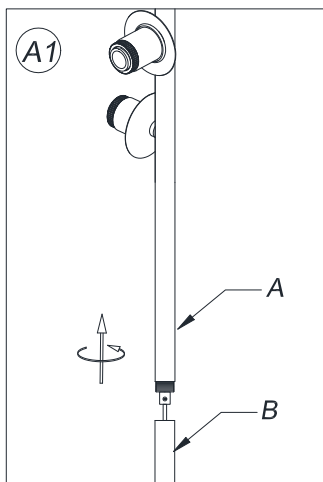
- Remove all parts and hardware from box along with any plastic protective packaging.
- Do not discard any contents until after assembly is complete to avoid accidentally discarding small parts or hardware.

Parts Included:

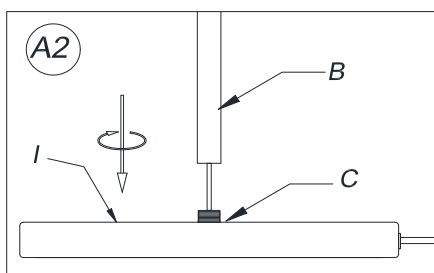
- (A) Upper Tube (1)
- (B) Lower Tube (1)
- (C) Threaded Nipple (1)
- (D) Sockets (5)
- (E) Glass Shades (5)
- (F) Spacers (5)
- (G) Socket Rings (5)
- (H) Light Bulbs (5)
- (I) Base (1)



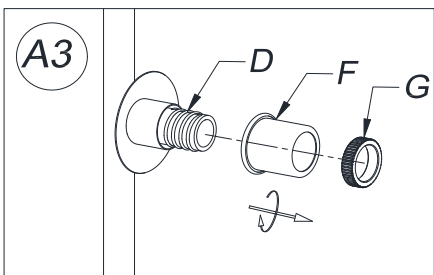
To Assemble:



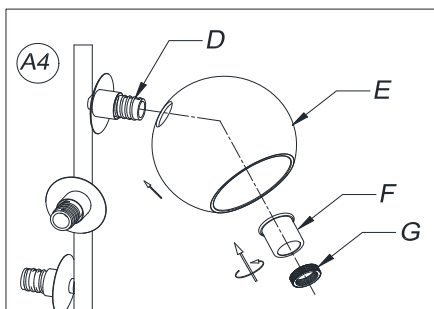
1. Attach the Lower Tube (B) onto the Upper Tube (A) by rotating the Lower Tube (B) in a clockwise direction until tight.



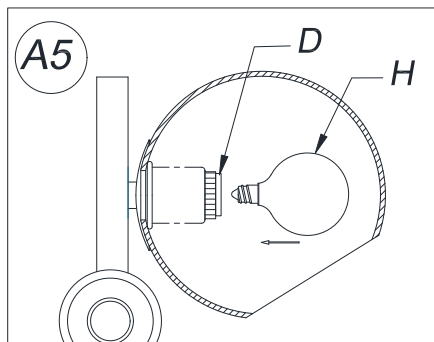
2. Gently pull the excess power cord out from the Base (I). Attach the bottom end of Lower Tube (B) onto Thread Nipple (C) of Base (I) by rotating the Lower Tube (B) in a clockwise direction until tight.



3. Unscrew the Socket Ring (G) and Spacer (F) from each Socket (D) by rotating the Socket Rings (G) in a counter-clockwise direction.



4. Attach the Glass Shades (E) onto the Sockets (D). Place the Spacers (F) onto the Sockets (D) and then secure Glass Shades (E) and Spacers (F) by rotating the Socket Rings (G) in a clockwise direction until tight.



5. Insert the specified light bulbs into the Sockets (D). DO NOT EXCEED THE SPECIFIED WATTAGE.

Care Instructions:

- Wipe clean with a soft, dry cloth or static duster.
- Always avoid the use of harsh chemicals or abrasive cleaners as they may cause damage to the fixture's finishing.

Thank you for your purchase
Stores | catalog | www.westelm.com
USA 888-922-4119

US/CN