

CAUTION:

- **BEFORE INSTALLING FIXTURE, MAKE SURE THE POWER TO THE CIRCUIT IS TURNED OFF AT THE MAIN FUSE BOX / CIRCUIT BREAKER UTILITY BOX.**

Important Safety Instructions:

- These instructions are provided for your safety. It is very important that they are read carefully and completely before beginning the assembly and installation of this lighting fixture.
- The external flexible cable or cord of this luminaire cannot be replaced, If the flexible cable or cord is damaged, the luminaire shall be destroyed.
- The Plastic Anchors (A) is meant for concrete wall mounting only. If the wall is made from wood or other materials, please consult your local hardware store for assistance. Use proper hardware for your wall type.
- A qualified person must be used to install the product.
- THIS PRODUCT MUST BE INSTALLED IN ACCORDANCE WITH THE APPLICABLE INSTALLATION CODES BY A PERSON FAMILIAR WITH THE CONSTRUCTION AND OPERATION OF THE PRODUCT AND THE HAZARDS INVOLVED.
- For your safety, it is strongly recommended that two people install the lighting fixture.
- This fixture has been rated for up to two (2) E27 **40-watt maximum TYPE B light bulbs** (not included). To avoid the risk of fire, do not exceed the recommended wattage.
- The lighting fixture is meant for indoor use.
- **Save these instructions.**

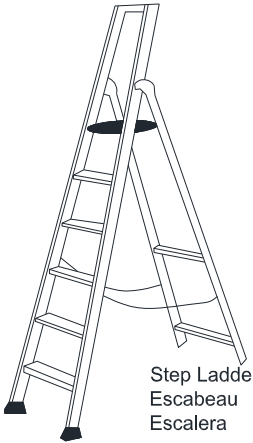
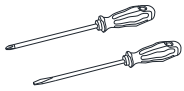

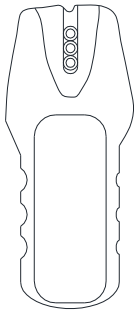
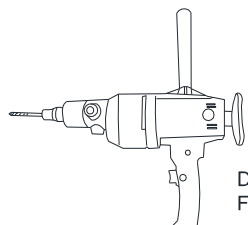

WARNING:

- **To reduce the risk of fire, electrical shock or personal injury, always turn off light fixture and allow it to cool prior to replacing light bulb.**
- **Do not touch bulb when fixture is turned on. Do not look directly at lit bulb.**
- **Keep flammable materials away from lit bulb.**

Pre-assembly:

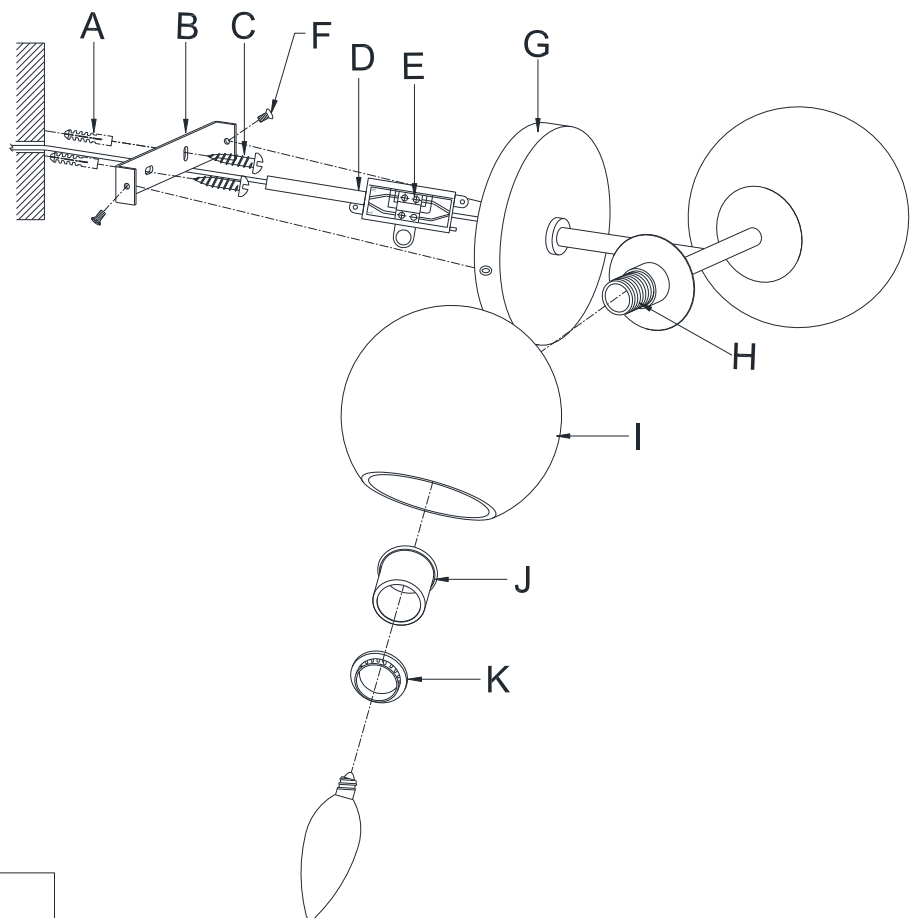
- Remove all parts and hardware from box along with any plastic protective packaging.
- Do not discard any contents until after assembly is complete to avoid accidentally discarding small parts or hardware.
- For your safety and convenience, assembly by two people is recommended.

TOOLS REQUIRED (not included):

 <p>Step Ladder Escabeau Escalera</p>	 <p>Phillips head, Flat Blade Screwdrivers Tournevis à tête Phillips et à tête plate Destornilladores Cabeza Pilleps y Destornilladores Cabeza Plana</p>	 <p>Plier Pince Alicates</p>	 <p>Stud Finder</p>
	 <p>Drill and Drill Bit Foret et Perceuse</p>	 <p>Pencil Crayon Lapiz</p>	



Parts Included:

- (B) Mounting Plate (1)
- (D) Plastic Junction Box (1)
- (E) Terminal Block (2)
- (F) Canopy Screws (2)
- (G) Canopy (1)
- (H) Sockets (2)
- (I) Glass Shades (2)
- (J) Spacers (2)
- (K) Socket Rings (2)



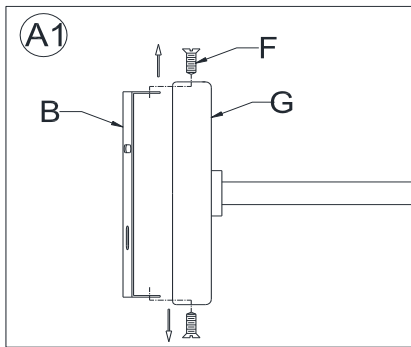
Hardware Enclosed:

- (A) Plastic Anchors (2)
- (C) Mounting Screws (2)

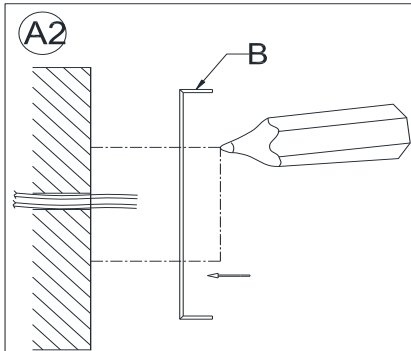
<p>A</p>  <p>2x</p>	<p>C</p>  <p>2x</p>
---	---

Assembly & Installation Instructions:

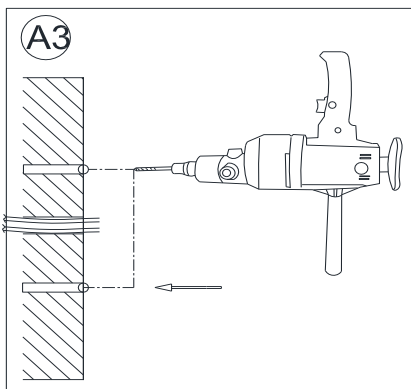
- **SHUT OFF THE MAIN ELECTRICAL SUPPLY FROM THE MAIN FUSE BOX/CIRCUIT BREAKER.**
- Carefully unpack all fixture parts and hardware and lay them on a clear workspace.



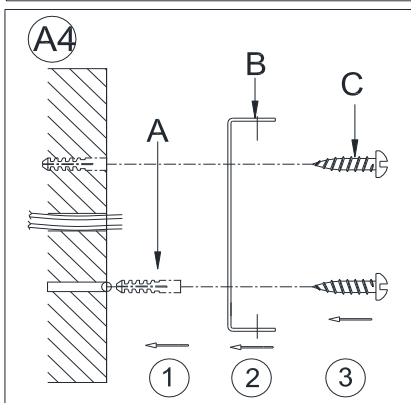
1. Separate the Mounting Plate (B) from the Canopy (G) by removing the 2 Canopy Screws (F). Do not discard the Canopy Screws (F) as these will be used later.



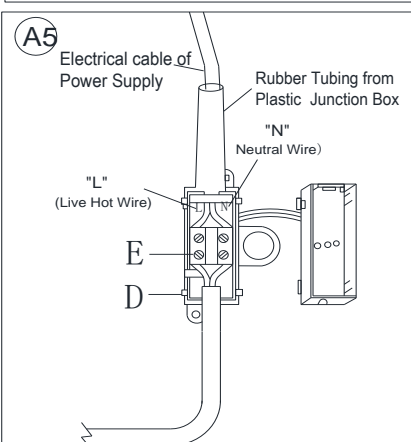
2. Determine your desired hanging location and then place the Mounting Plate (B) against the wall and mark the location of the holes of the Mounting Plate (B) onto the wall using a pencil.



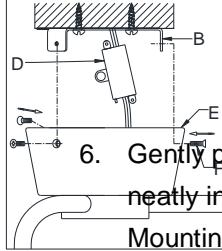
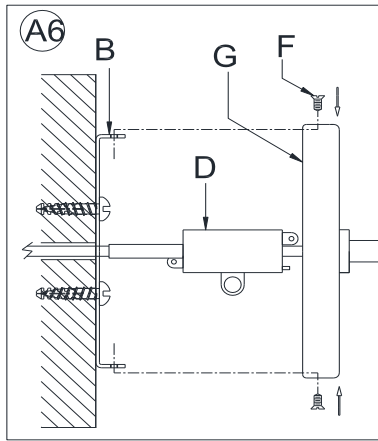
3. Using the drill with the appropriate size drill bit (just large enough to make hole that will allow passage of the Plastic Anchor (A) assemblies), drill the hole in the wall at each marked hole location for the Plastic Anchor (A).



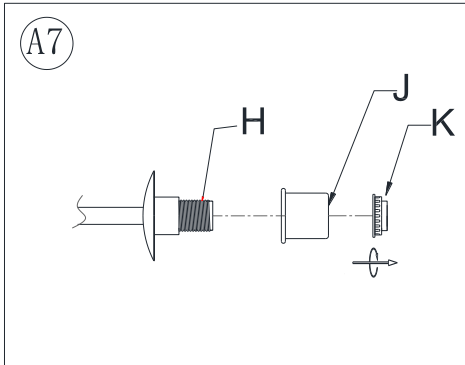
- 4.1 Insert each Plastic Anchor (A) into each drilled hole on wall.
- 4.2 Attach the Mounting Plate (B) against the wall aligning the 2 slots on Mounting Plate (B) with the 2 installed Plastic Anchors (A).
- 4.3 Insert the 2 Mounting Screws (C) and tighten each to secure the Mounting Plate (B) firmly onto the wall.



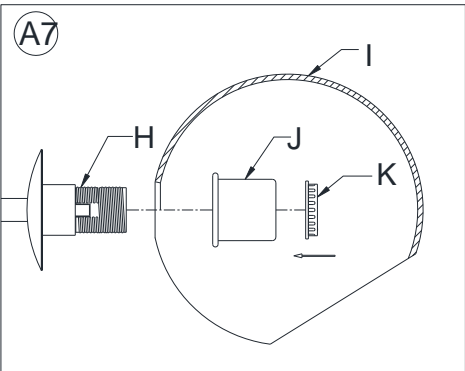
5. Find the Terminal Block (E) by opening the cover of Plastic Junction Box (D) inside the Canopy (G). Carefully inspect the Terminal Block (E), the terminal marked "L" is to connect to Live/Hot wire of power supply cable and the terminal marked "N" is to connect to Neutral wire of power supply cable. Insert the electrical wire of power supply cord through the rubber tubing of Plastic Junction Box (D) and correctly connect the wires of power supply cable to the Terminal Block (E). Seal the Plastic Junction Box (D) by putting its cover back after completing electrical wire connections.



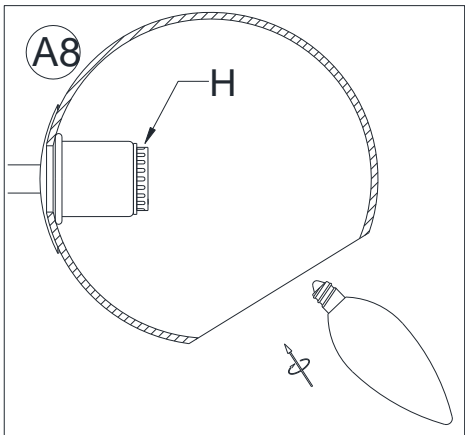
6. Gently place the Plastic Junction Box (D) and electrical wires neatly into the Canopy (G). Position the Canopy (G) over the Mounting Plate (B) aligning the 2 holes on the sides of Canopy (G) with the 2 holes from the Mounting Plate (B). Insert the Canopy Screws (F) and tighten to secure the Canopy (G) in place.



7. Unscrew the Socket Rings(K) and Spacers (J) from the Sockets (H) by rotating the Socket Rings (K) in a counter-clockwise direction.



8. Attach Glass Shades (I) onto the Sockets (H), making sure the opening of the Glass Shades (I) is downward. Then place the Spacers (J) onto the Sockets (H). Secure Glass Shades (I) and Spacers (J) by rotating the Socket Rings(K) in a clockwise direction until secure. Do not over tight



8. Insert the specified light bulbs into the Sockets (H). DO NOT EXCEED THE SPECIFIED WATTAGE.

Care Instructions:

- Wipe clean with a soft, dry cloth or static duster.
- Always avoid the use of harsh chemicals or abrasive cleaners as they may cause damage to the fixture's finishing.