

### CAUTION:

- **BEFORE INSTALLING FIXTURE, MAKE SURE THE POWER TO THE CIRCUIT IS TURNED OFF AT THE MAIN FUSE BOX / CIRCUIT BREAKER UTILITY BOX.**

### Important Safety Instructions:

- These instructions are provided for your safety. It is very important that they are read carefully and completely before beginning the assembly and installation of this lighting fixture.
- We strongly recommend that a professional electrician install all direct wire fixtures.
- THIS PRODUCT MUST BE INSTALLED IN ACCORDANCE WITH THE APPLICABLE INSTALLATION CODES BY A PERSON FAMILIAR WITH THE CONSTRUCTION AND OPERATION OF THE PRODUCT AND THE HAZARDS INVOLVED.
- The lighting fixture is meant for indoor use. It must be connected only to 3-wire, single-phase electrical supply systems (provided with Ground wire or equivalent protection system).
- For your safety, it is strongly recommended that two people install the lighting fixture.
- This fixture has been rated for up to one (1) **60-Watt maximum TYPE G standard incandescent light bulbs** (not included) or one (1) **7-Watt maximum Self-Ballasted LED bulb** (not included). To avoid the risk of fire, do not exceed the recommended lamp wattage.
- It is recommended to use white bulbs. If clear bulbs are used, then there will be streaks/shadows in the glass shade.
- This lighting fixture is intended for indoor or protected/covered outdoor areas. Do not expose to direct rainfall. **SUITABLE FOR EITHER DRY OR DAMP LOCATIONS.**
- **Save these instructions.**

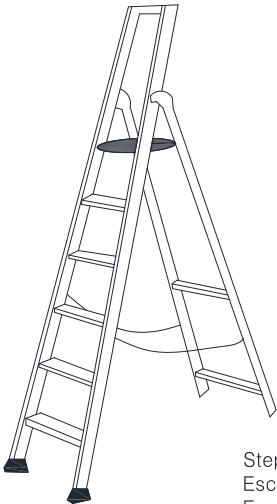
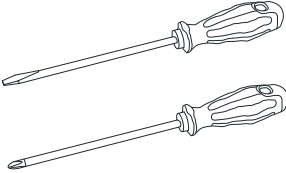
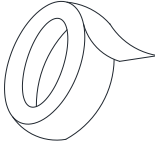
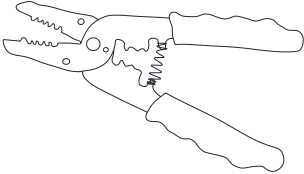
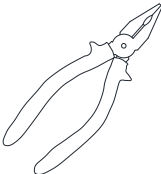
### WARNING:

- **To reduce the risk of fire, electrical shock or personal injury, always turn off light fixture and allow it to cool prior to replacing light bulb.**
- **Do not touch bulb when fixture is turned on. Do not look directly at lit bulb.**
- **Keep flammable materials away from lit bulb.**

### Pre-assembly:

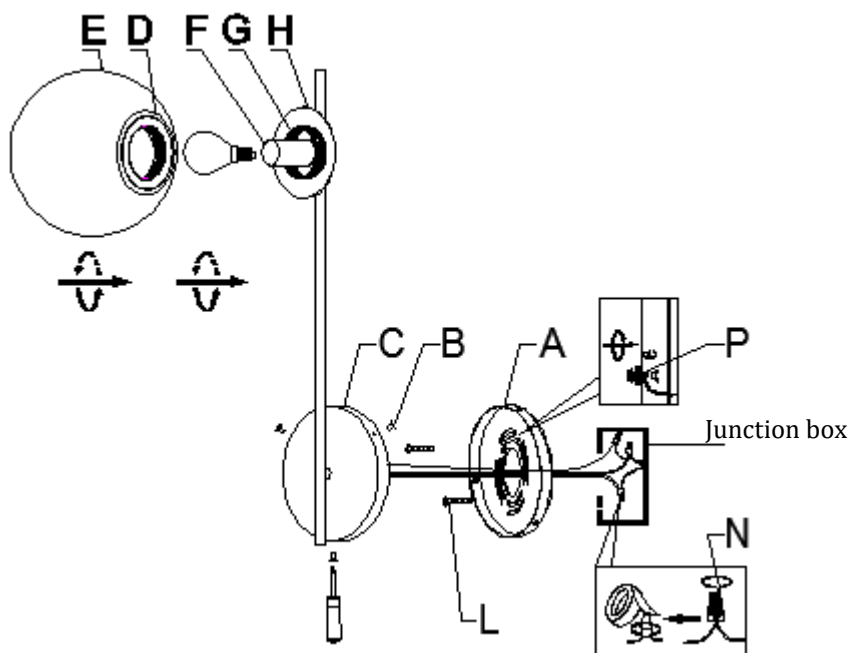
- Remove all parts and hardware from box along with any plastic protective packaging.
- Do not discard any contents until after assembly is complete to avoid accidentally discarding small parts or hardware.

**TOOLS REQUIRED (not included):**

 <p>Step Ladder Escabeau Escalera</p>	 <p>Phillips Head, Flat Blade Screwdrivers Tournevis à tête Phillips et à tête plate Destornilladores Cabeza Phillips y Destornilladores Cabeza Plana</p>	 <p>Electrical tape Ruban isolant Cinta Electrica.</p>
	 <p>Wire Cutter/Stripper Pince coupe-fil/ à dénudé Cortador de Cable</p>	 <p>Plier Pince Alicates</p>

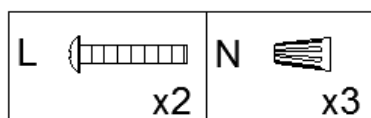
**Parts Included:**

- (A) Mounting Plate (1)
- (B) Canopy Screws (3)
- (C) Canopy (1)
- (D) Shade Thread-Ring (1)
- (E) Glass Shade (1)
- (F) Socket (1)
- (G) Socket Thread-Ring (1)
- (H) Shade Cap (1)
- (P) Green Ground Screw (1)



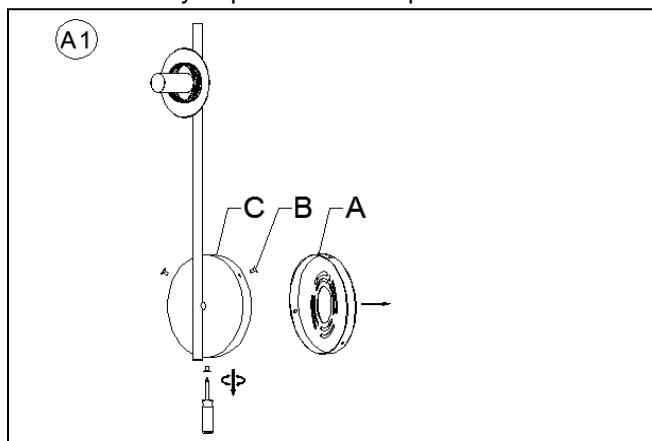
**Hardware Enclosed:**

- (L) Mounting Screws (2)
- (N) Plastic Wire Nut Connectors (3)

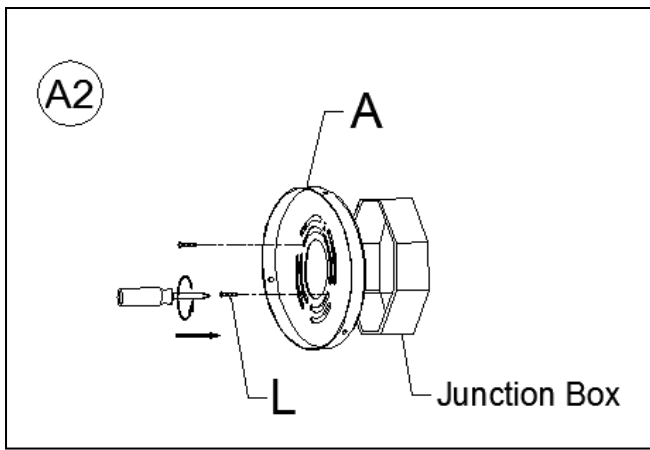


**Assembly & Installation Instructions:**

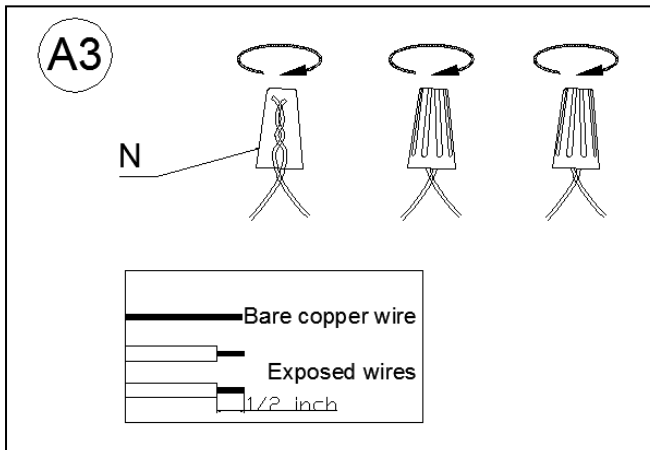
- **SHUT OFF THE MAIN ELECTRICAL SUPPLY FROM THE MAIN FUSE BOX/CIRCUIT BREAKER.**
- Carefully unpack all fixture parts and hardware and lay them on a clear workspace.



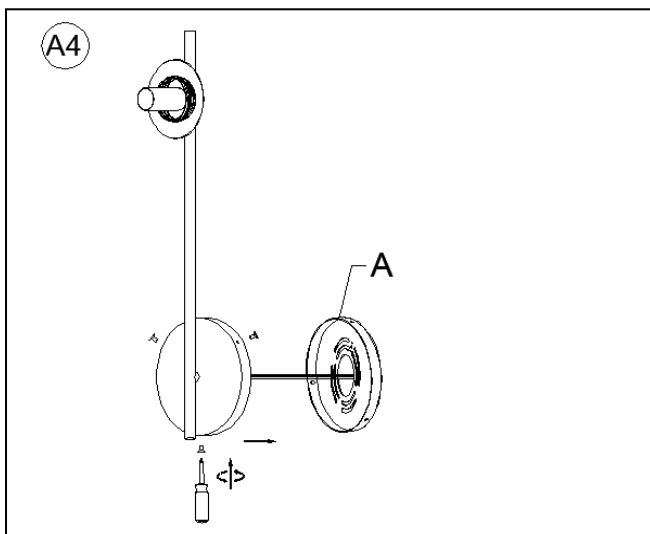
1. Separate the Mounting Plate (A) from the Canopy (C) by removing the 3 Canopy Screws (B). Do not discard the Canopy Screws (B) as these will be used later.



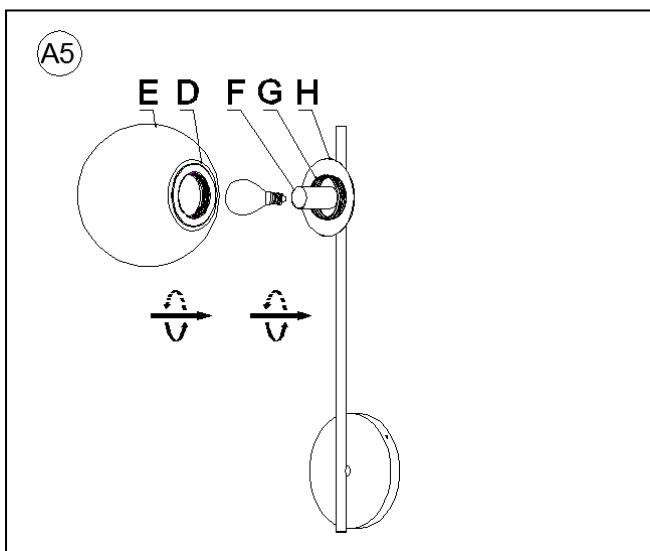
2. Insert the J-box wires through the center opening of the Mounting Plate (A). Attach the Mounting Plate (A) to the junction box using the two J-Box Mounting Screws (L). \*Make sure the arrow mark on the mounting plate is oriented upward. Tighten each screw clockwise until the Mounting Plate (A) is firmly secured to the J-Box.



3. Please read the section "**To Make the Wire connections**" below.



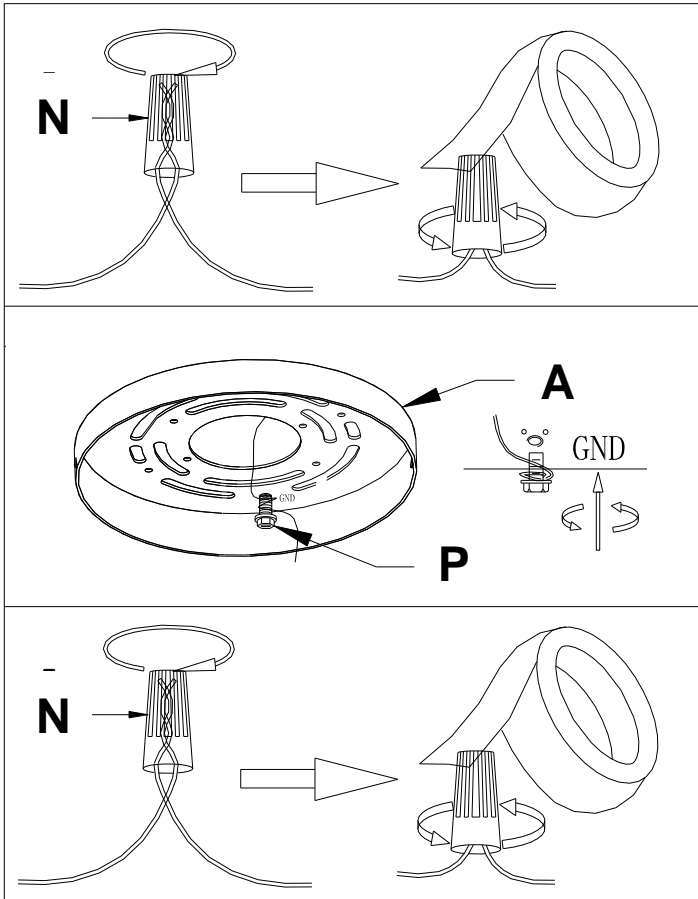
4. Align the **3** holes on the Mounting Plate (A) with the **3** holes on the side of the Canopy (C). Insert the **3** Canopy Screws (B) and tighten with a screwdriver.



- 5.1 Insert the specified light bulbs into the Sockets (F). DO NOT EXCEED THE SPECIFIED WATTAGE.
- 5.2 Attached Shade Thread-Ring (D) onto the Socket Thread-Ring (G), turning the Glass Shade (E) in a clockwise direction until tight.

## To Make the Wire Connections:

1. Gently pull the wiring from the junction box and allow wires to hang. The HOT or LIVE wire is usually black. The NEUTRAL wire is usually white. Check to see if there is a ground wire that is usually green or green with a yellow stripe or exposed copper metal wire. If needed, use a pair of wire strippers to remove about 1/2 inch of insulation from each wire.
2. Carefully inspect the fixtures wires. The NEUTRAL FIXTURE WIRES is White. The HOT FIXTURE WIRES is Black. The BARE COPPER WIRE is the GROUND WIRE. If you have any doubt and cannot identify the power-supply wires with confidence, then we recommend that you ask an electrician and that you not continue with the installation.
3. With the help of another person to hold the weight of the fixture, attach the fixture wires to the junction box wires as shown in the illustrations.



Connect the GROUND FIXTURE WIRES to the GROUND J-BOX WIRE using the Plastic Wire Nut Connector (N) and wrap the connection with electrical tape. Be sure that no wire strands are exposed.

If the junction box DOES NOT have a GROUND WIRE, wrap the fixture's bare ground wire around the Green Ground Screw (P) and insert the screw into the Mounting Plate (A), marked as "G", and tighten screw to secure the wire.

Connect the NEUTRAL FIXTURE WIRES to the NEUTRAL J-BOX WIRE first and then connect the HOT FIXTURE WIRES to the HOT J-BOX WIRE using the Plastic Wire Nut Connectors (N). Wrap these connections with electrical tape. Be sure that no wire strands are exposed.

### NOTE:

**IT IS IMPERATIVE THAT THE JUNCTION BOX IN YOUR HOME BE PROPERLY GROUNDED!**

**DO NOT REVERSE THE HOT AND NEUTRAL CONNECTIONS OR SAFETY WILL BE COMPROMISED.**

4. Check the wiring connections and if all looks good, gently tuck the wire connections neatly into the junction box.

### Care Instructions:

- Wipe clean with a soft, dry cloth or static duster.
- Always avoid the use of harsh chemicals or abrasive cleaners as they may cause damage to the fixture's finishing.

Thank you for your purchase  
Stores | catalog | [www.westelm.com](http://www.westelm.com)  
USA 888-922-4119