

Tripod Wood Floor Lamp Assembly Instructions

Important Safety Instructions:

- These instructions are provided for your safety. It is very important that they are read carefully and completely before beginning the assembly and installation of this lighting fixture.
- This portable luminaire has a polarized plug (one blade is wider than the other) as a safety feature to reduce the risk of electric shock. This plug will fit in a polarized outlet only one way. If the plug does not fit fully in the outlet, reverse the plug. If it still does not fit, contact a qualified electrician. Never use with an extension cord unless plug can be fully inserted. Do not alter the plug. Do not attempt to defeat this safety feature.
- This fixture has been rated for up to one (1) **100-watt maximum TYPEA standard incandescent light bulb** (not included) or one (1) **23-watt maximum compact fluorescent light bulb** (included). To avoid the risk of fire, do not exceed the recommended wattage.
- Use with approved West Elm Shades only, having a minimum opening diameter of 4 inches and a minimum lamp-to-shade spacing of 3-1/2 inches
- This lamp is meant for indoor use.
- **Save these instructions.**

WARNING:

- **To reduce the risk of fire, electrical shock or personal injury, always turn off and unplug the light fixture and allow it to cool prior to replacing the light bulb.**
- **Do not touch bulb when fixture is turned on. Do not look directly at lit bulb.**
- **Keep flammable materials away from lit bulb.**

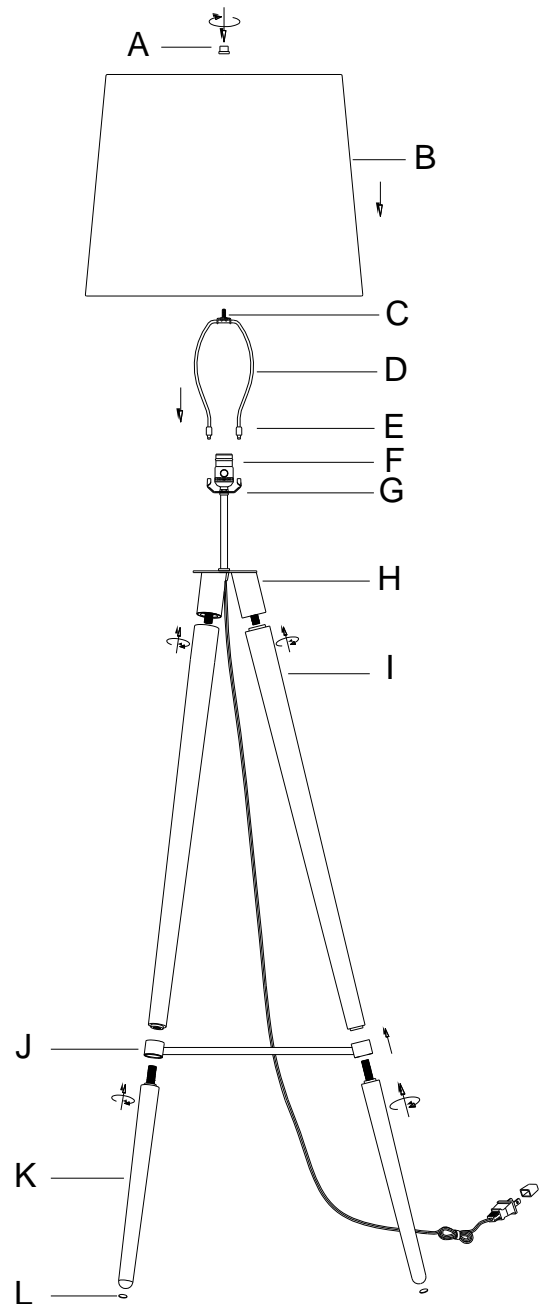
Pre-assembly:

- Remove all parts and hardware from box along with any plastic protective packaging.
- Do not discard any contents until after assembly is complete to avoid accidentally discarding small parts or hardware.

Tripod Wood Floor Lamp Assembly Instructions

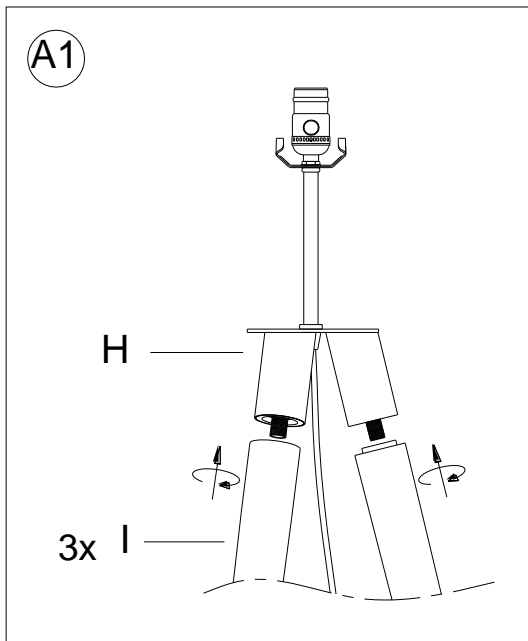
Parts Included:

- (A) Finial (1)
- (B) Shade (1) (Pack Separately)
- (C) Harp Top (1)
- (D) Harp (1)
- (E) Harp Caps (2)
- (F) Socket (1)
- (G) Saddle (1)
- (H) Metal Tubes (3)
- (I) Wood Tubes (3)
- (J) Metal Triangle Bracket (1)
- (K) Wood Legs (3)
- (L) Felt Pads (3)

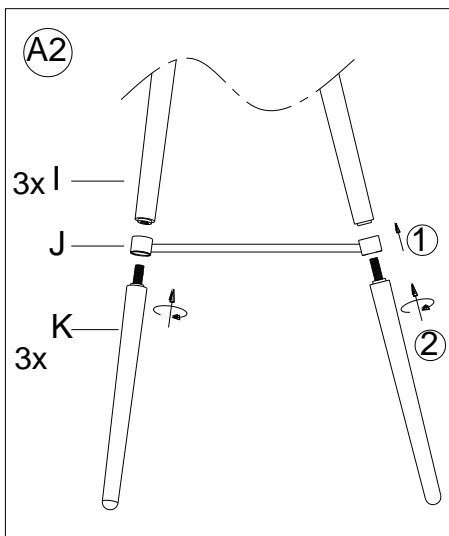


Tripod Wood Floor Lamp Assembly Instructions

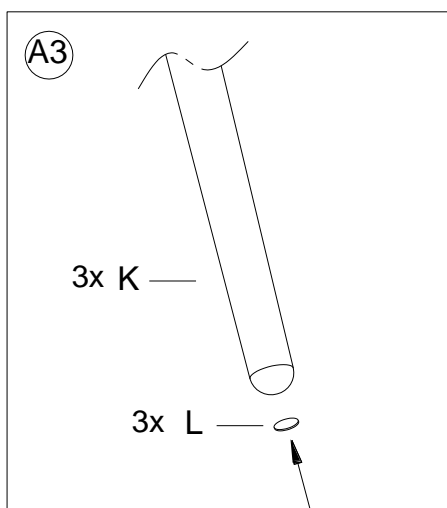
Assembly & Installation Instructions:



1. Attach the large end of one Wood Tube (I) onto the bottom end of the one Metal Tube (H) by rotating the two parts in a clockwise direction by hand until tight. Assemble the remaining 2 Wood Tubes (I) onto the remaining 2 Metal Tubes (H) using the same procedure.

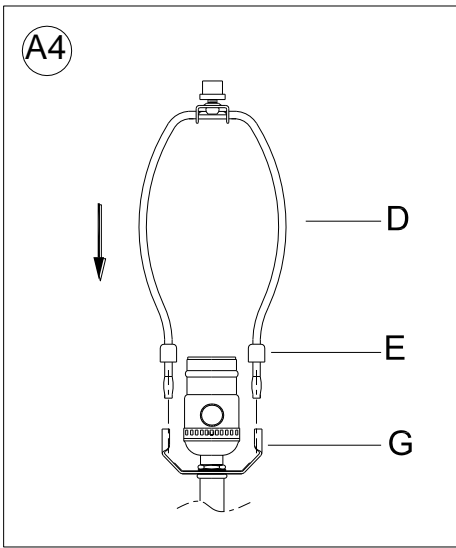


2. Position the Metal Triangle Bracket (J) onto the bottom ends of each Wood Tube (I), aligning 3 holes on the Metal Triangle Bracket (J) with the bottom threaded holes of each Wood Tube (I). Insert the threaded end of the Wood Legs (K) through the metal rings of the Metal Triangle Bracket (J) first and then into the bottom ends of the Wood Tubes (I), turning each Wood Leg (K) in a clockwise direction by hand until tight.

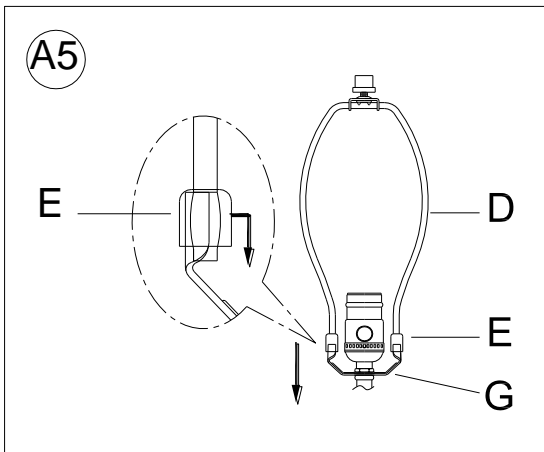


3. Attach each Felt Pad (L) onto the bottom side of each Wood Leg (K) making sure each Felt Pad (L) contacts with the floor surface when the lighting product is placed on.

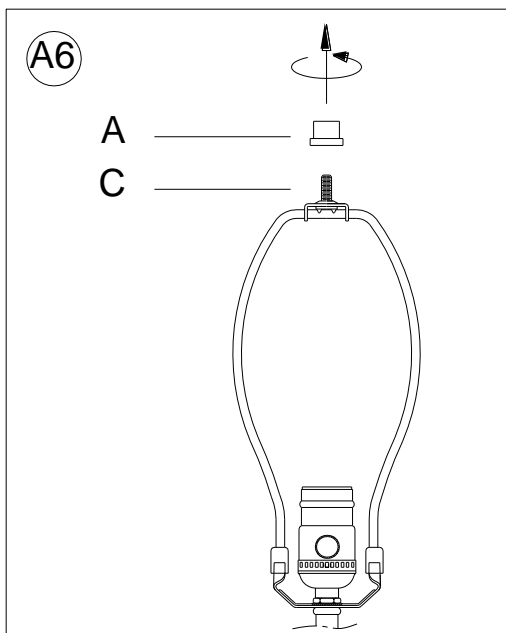
Tripod Wood Floor Lamp Assembly Instructions



4. Raise the Harp Caps (E) and insert the bottom ends of Harp (D) into the Saddle (G)

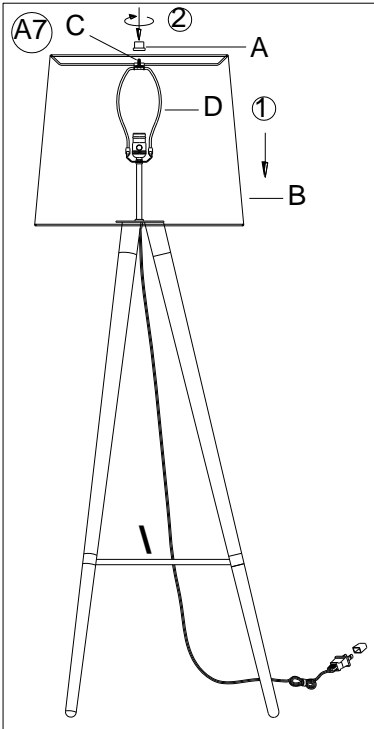


5. Lower the Harp Caps (E) until they cover the two-pronged Saddle (G)

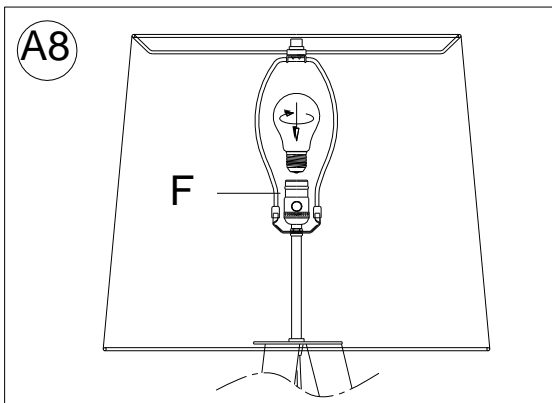


6. Unscrew the Finial (A) from the Harp Top (C)

Tripod Wood Floor Lamp Assembly Instructions



7. Place the Shade (B) (Pack Separately) over the Harp (D) making sure the Harp Top (C) extends through the top ring of Shade (B) (Pack Separately). Secure the Shade (B) (Pack Separately) by turning the Finial (A) onto the Harp Top (C) clockwise until tight.



1. Insert the specified light bulb into the Socket (F).
DO NOT EXCEED THE SPECIFIED WATTAGE.

Care instructions:

- Wipe clean with a soft, dry cloth or static duster.
- Always avoid the use of harsh chemicals or abrasive cleaners as they may cause damage to the fixture's finish.

Thank you for your purchase
Stores | catalog | www.westelm.com
USA 888-922-4119