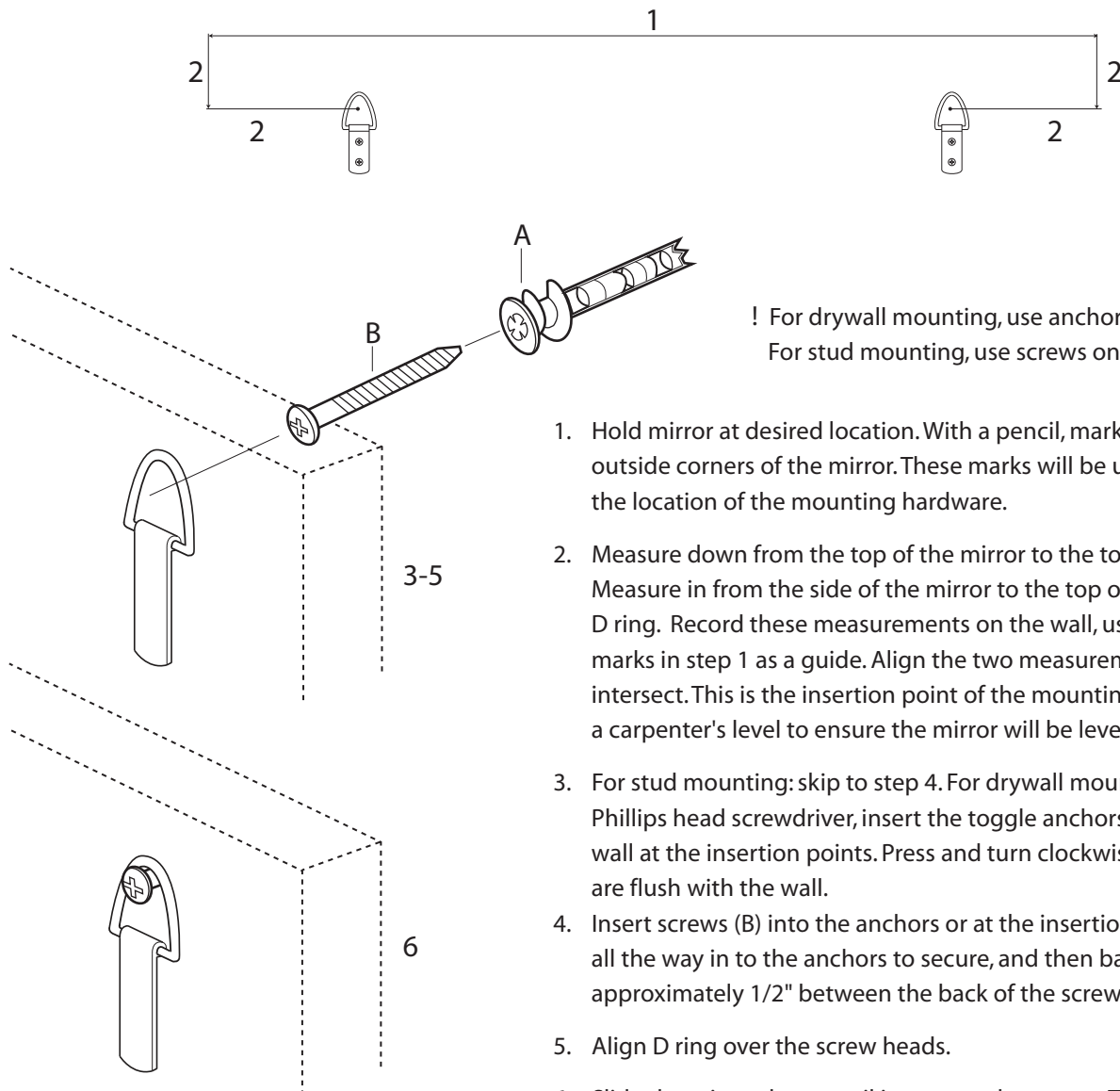
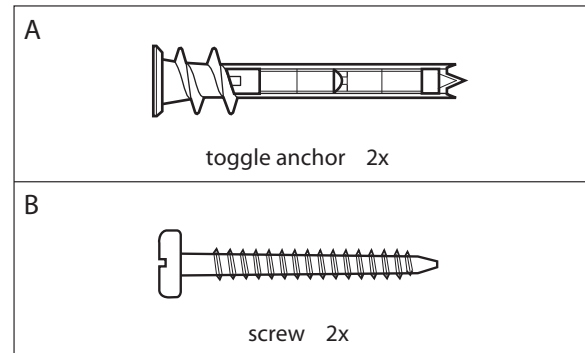


west elm : rustic wood frame floor mirror

mounting instructions

NOTE:

- Stud mounting is recommended. Use proper hardware for your wall type (such as anchors for drywall). When in doubt, consult your local hardware store. For your safety, installation by two people is recommended.
- Wipe with a soft, dry cloth. To protect the finish, avoid the use of all chemicals and household cleaners.



! For drywall mounting, use anchors with screws.
For stud mounting, use screws only.

1. Hold mirror at desired location. With a pencil, mark on wall the top outside corners of the mirror. These marks will be used to determine the location of the mounting hardware.
2. Measure down from the top of the mirror to the top of the D ring. Measure in from the side of the mirror to the top of the D ring. Record these measurements on the wall, using the marks in step 1 as a guide. Align the two measurements until they intersect. This is the insertion point of the mounting hardware. Use a carpenter's level to ensure the mirror will be level.
3. For stud mounting: skip to step 4. For drywall mounting: using a Phillips head screwdriver, insert the toggle anchors (A) into the wall at the insertion points. Press and turn clockwise until anchors are flush with the wall.
4. Insert screws (B) into the anchors or at the insertion points. Turn the screws all the way in to the anchors to secure, and then back out leaving approximately 1/2" between the back of the screw head and the wall.
5. Align D ring over the screw heads.
6. Slide the mirror down until it rests on the screws. Tighten or loosen screws as needed to fit the mirror snugly against the wall.

west elm: rustic wood frame floor mirror

anti-tip kit for floor standing

OVER BALANCE. To prevent injury and property damage from unexpected tipping of furniture, we highly recommend installation of the anti-tip kit included with this product when leaning against wall.

1. Determine where the furniture is to be placed and mark location on the wall for the mounting bracket screw holes. They should be placed approximately 1" below the D-ring on the back of the mirror frame.
2. Attach the mounting bracket vertically to the wall by inserting the long screws provided through the holes in the bracket and tightening securely using screwdriver.
3. Place the furniture so the D-ring on the back edge is in line with the bracket on the wall.
4. Lace an end of the nylon restraint strap down through the bracket. Bring both ends together and slide the thin end of the strap through the receiving end of the strap until snug.
5. Check to make sure the strap is securely laced and locked to the bracket and D-ring.

