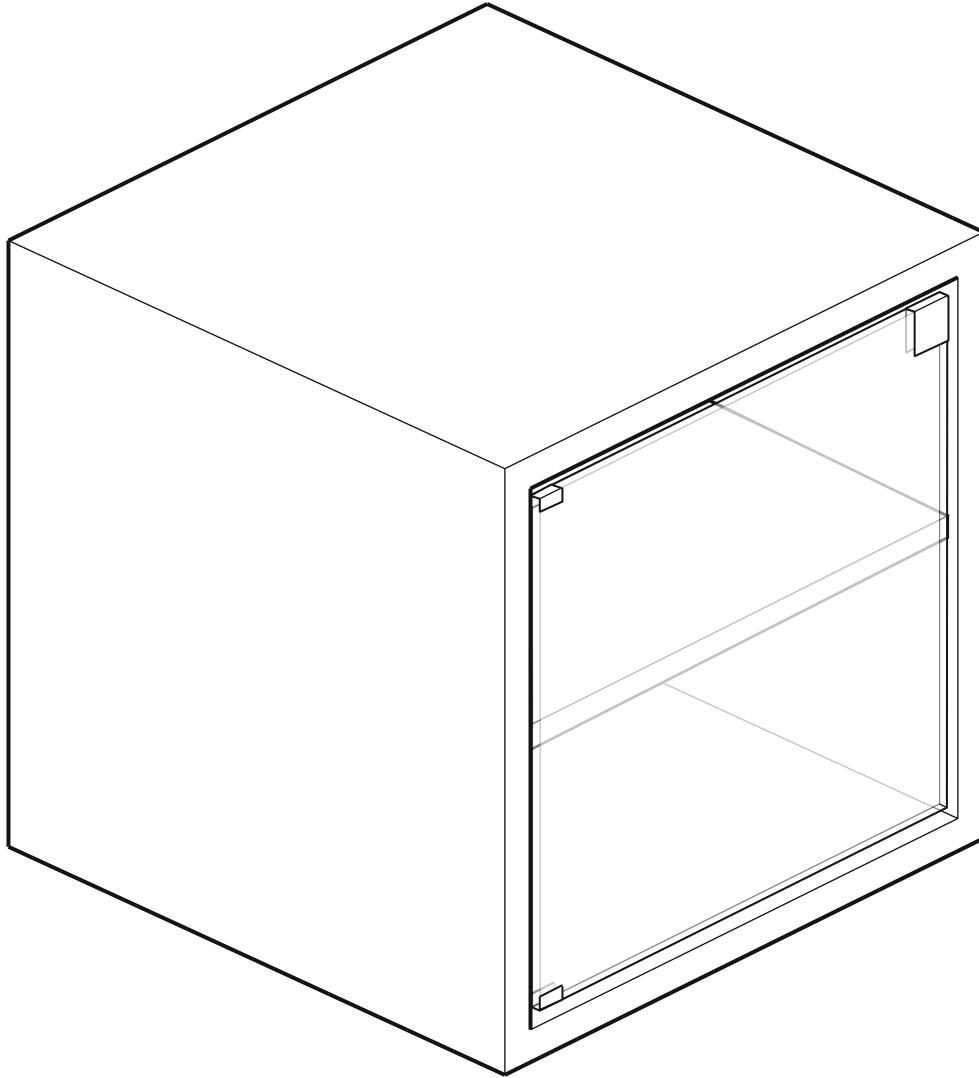


west elm : modular storage glass door cube


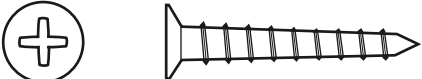
assembly instructions



! Tools suggested: 

! Do not throw away packaging materials until assembly is complete.

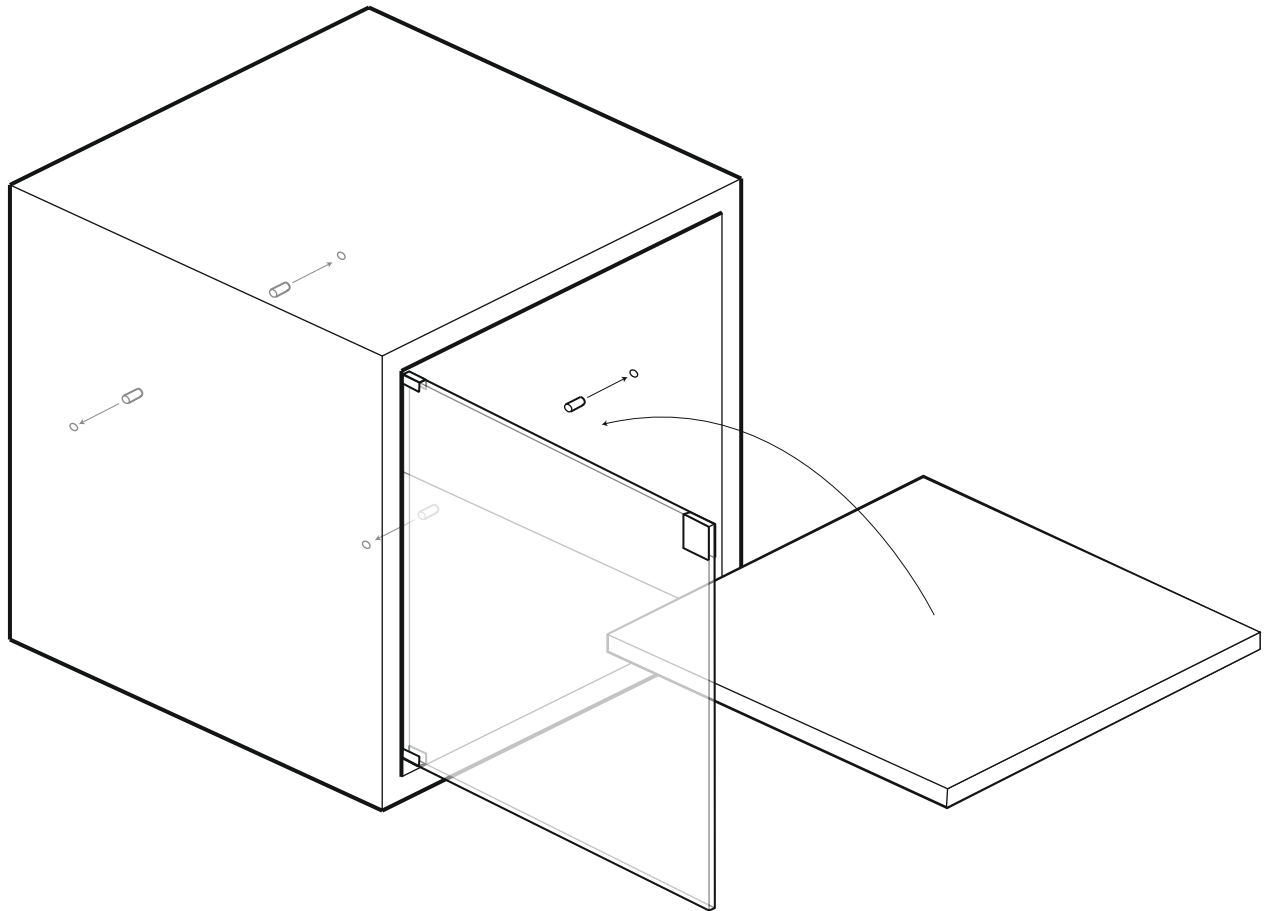
! Assemble this item on a soft surface, such as cardboard or carpet, to protect the finish.

<p>A</p>  <p>shelf pin 4x</p>	<p>B</p>  <p>screw 8x</p>
--	---

west elm : modular storage glass door cube

assembly instructions

1. Insert shelf pins into predrilled holes along the sides of the vertical panels. Place the shelf on top of the shelf pins. There are short channels in the bottom of the shelves to accept the pins.



CARE INSTRUCTIONS.

Wipe with a soft, dry cloth. To protect the finish, avoid the use of all chemicals and household cleaners.

west elm : modular storage glass door cube

assembly instructions

2. [OPTIONAL] To attach the top cube to the bottom, align the attachment plates with the pre-drilled holes and insert the screws (B) as shown. Tighten with Phillips-head screwdriver.

! IMPORTANT: Do not stack more than 3 high.

