

! Tool required (not included): Philips Head Screwdriver



! Do not throw away packaging materials until assembly is complete.

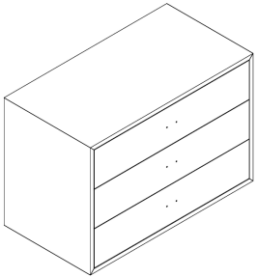
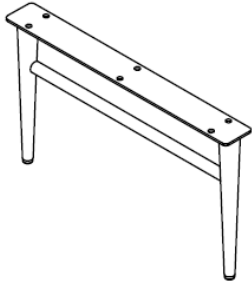



! To protect the finish, assemble this item on a soft surface, such as cardboard or carpet.

! 2 people required to assemble this item.

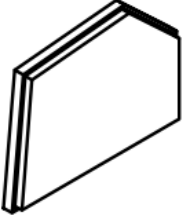
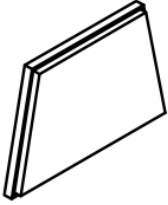
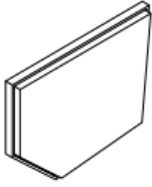



CARE INSTRUCTIONS

Hardware may loosen over time. Periodically check that all connections are tight. Wipe with a soft, dry cloth. To protect finish, avoid the use of chemicals and household cleaners. All hot serving dishes should be placed on a pad. Any liquid spilled onto the table should be cleaned up immediately with a damp cloth.

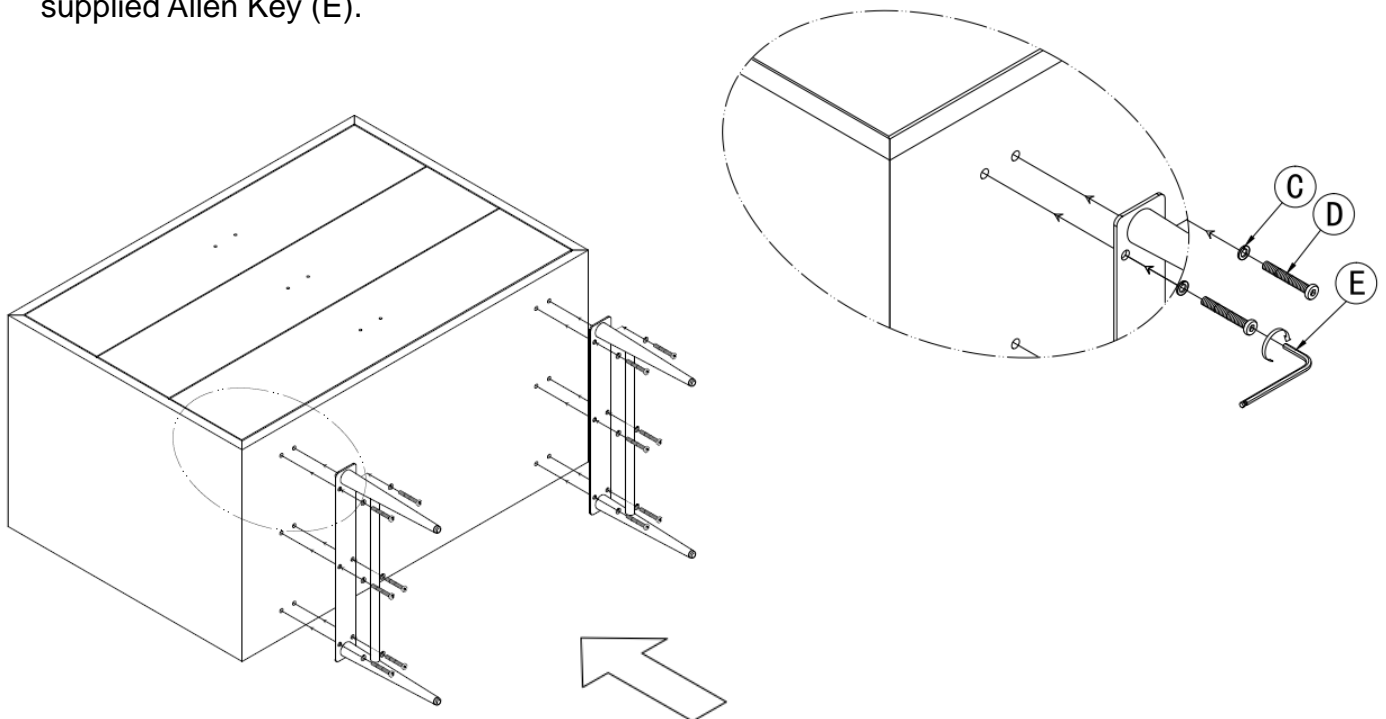
Parts

<p>A</p>  <p>Case 1 x</p>	<p>B</p>  <p>Metal base 2 x</p>
<p>C</p>  <p>Spring washer $\text{\O}1/4''\times\text{\O}11\times 1.2$ 12x</p>	<p>D</p>  <p>Bolt $1/4'' \times 1-3/4''$ 12x</p>
<p>E</p>  <p>Allen key M4x110x30 1 X</p>	

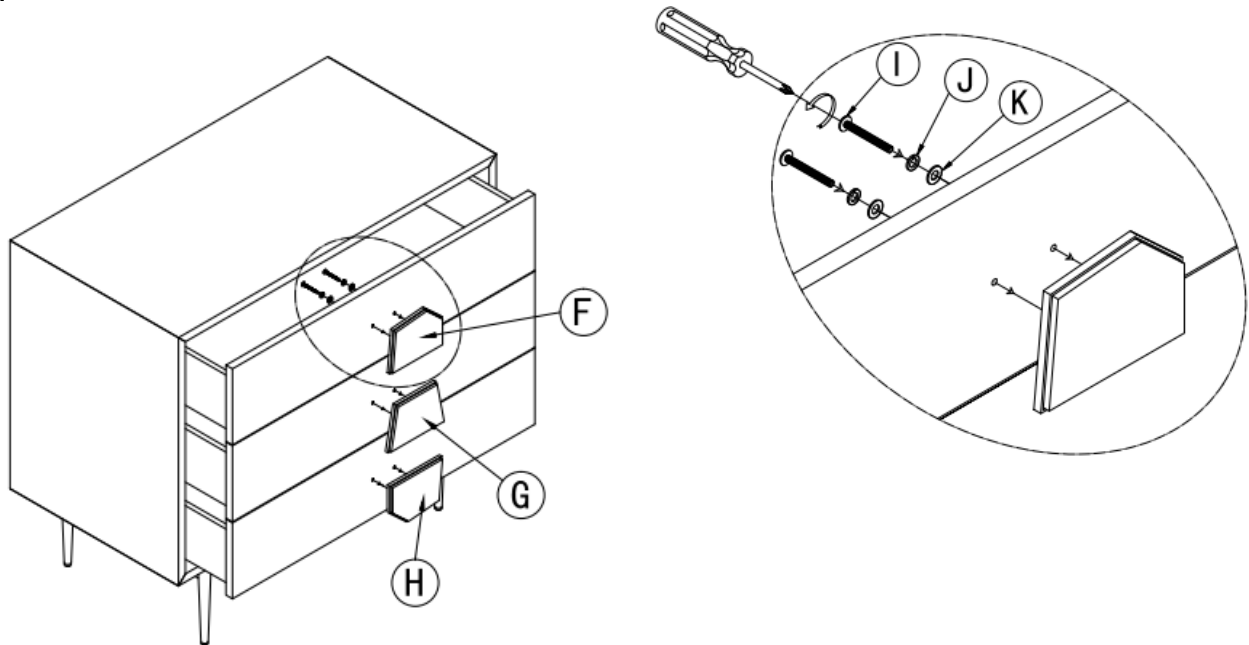
Separate package

F.  Handle 1x	G.  Handle 1x	H.  Handle 1x
I.  Pan head screw 6x	J.  Spring washer 6x	K.  Flat washer 6x

1. Place the Casegood (A) at its back on a clean and scratch free surface. Fasten Metal Legs (B) to Casegood using Bolt (D) and Spring Washer (C) in order as shown. Tighten with supplied Allen Key (E).



2. With help turn the casegood upright. Attached the handle (F) (G) (H) with Philips Head Screwdriver and pan head screw (I) , Spring washer (J), Flat washer(K) , as shown below.



3. If the Dresser doesn't sit level, adjust the levelers underneath the four legs as seen in the illustration below.

