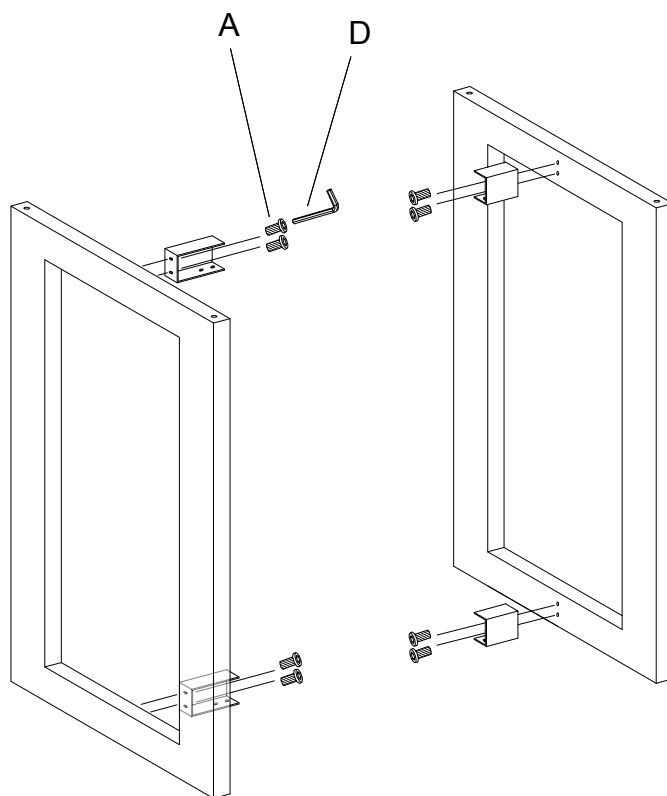
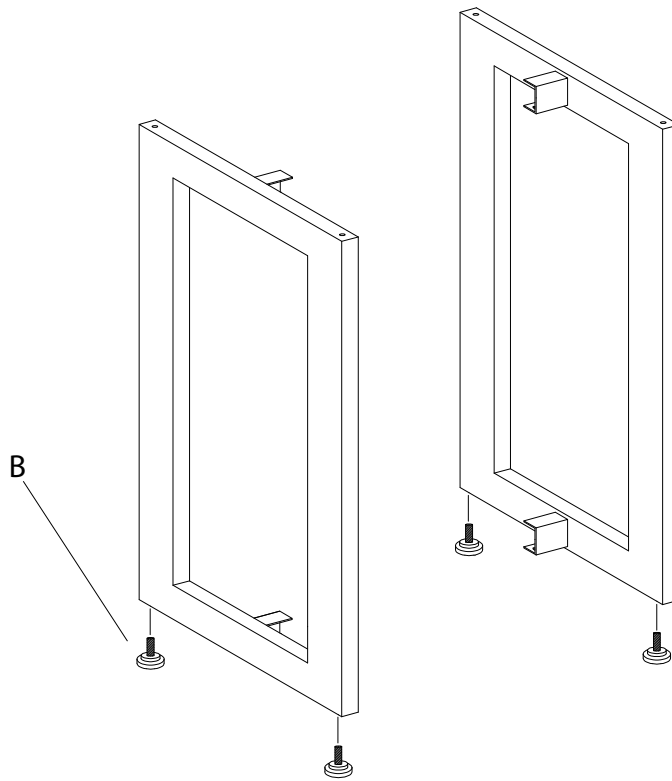


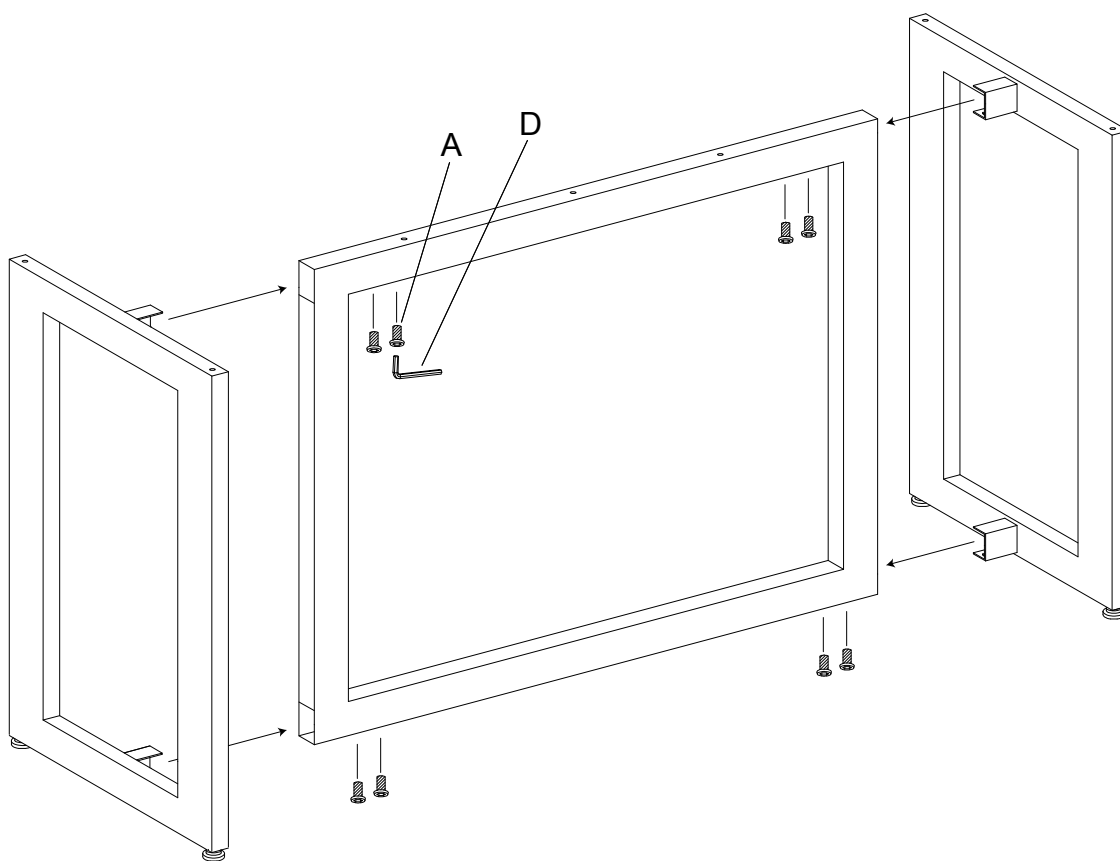
1. Insert bolt (A) through predrilled hole in bracket and into predrilled hole in leg panel as shown. Tighten using allen key (D).



2. Insert leveler (B) into predrilled hole in bottom of leg as shown. If necessary, adjust by hand when leveling table on floor after completed table assembly.

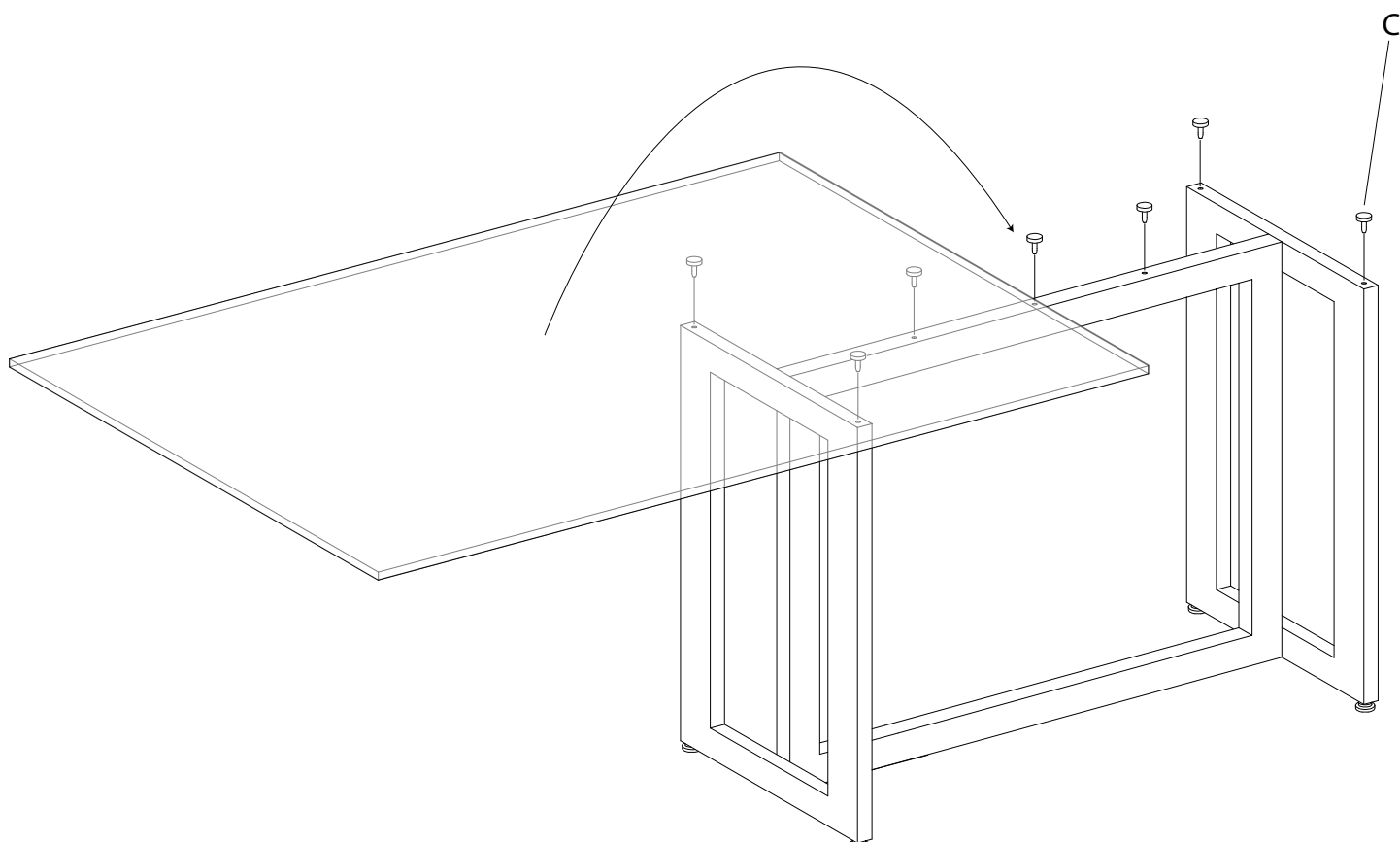


3. Insert brackets on legs into openings in center panel as shown. Insert bolt (A) into pre-dilled holes on bottom faces of center panel as shown. Tighten using allen key (D).



4. Insert rubber bumpers (C) into predrilled holes in top of center panel and legs as shown. Carefully set table top into place.

PLEASE NOTE: GLASS TOP AND METAL FRAME ARE PACKED IN SEPERATE CARTONS



CARE INSTRUCTION

Hardware may loosen over time. Periodically check that all connections are tight.

Wipe with a soft, dry cloth. To protect finish, avoid the use of chemicals and household cleaners