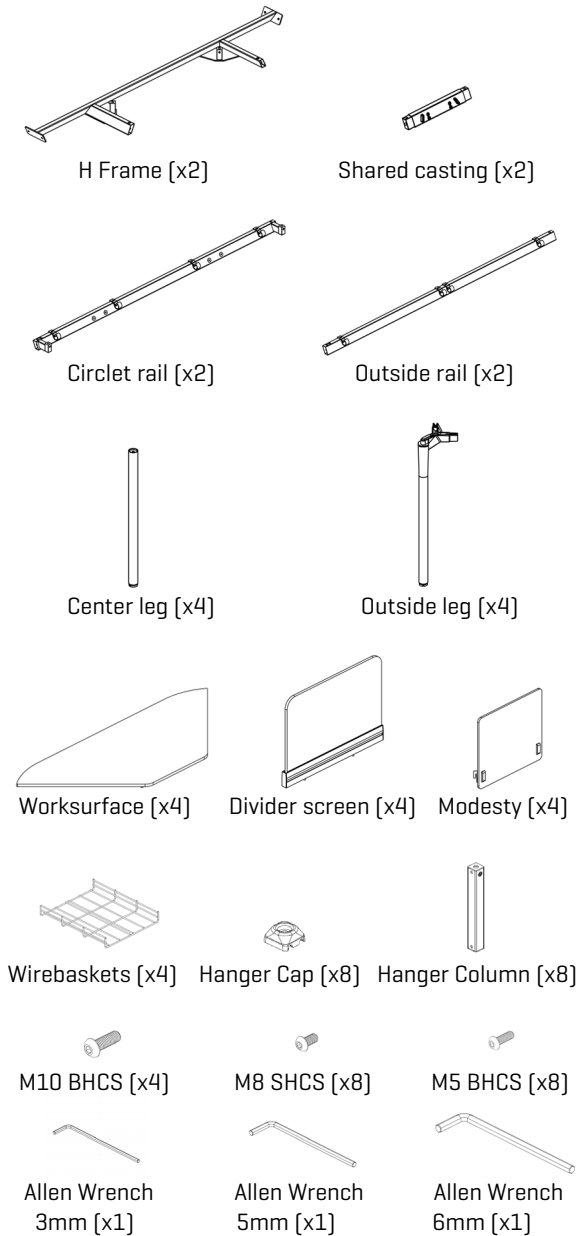


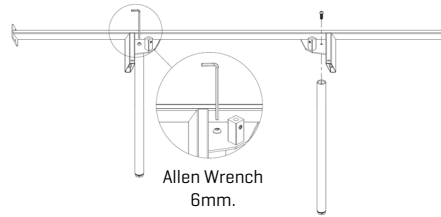
# Circlet

## Assembly Instructions

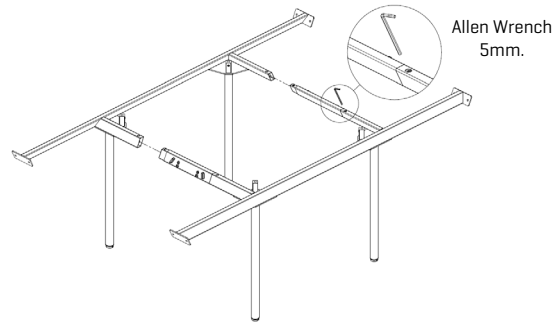
### Component List



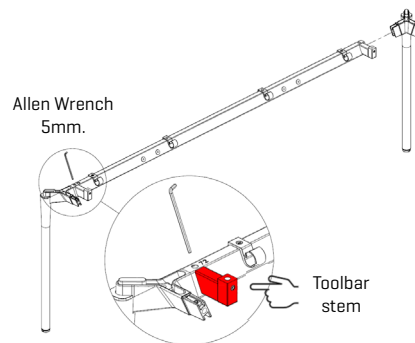
**Step 1: Assemble Frame.** Assemble 2 legs to each half of the H Frame using enclosed M10 BHCS. [2 Sets]



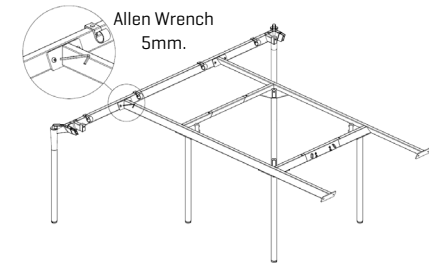
**Step 2:** Assemble both halves of the H Frame using the shared castings and tighten the set screws in the shared castings.



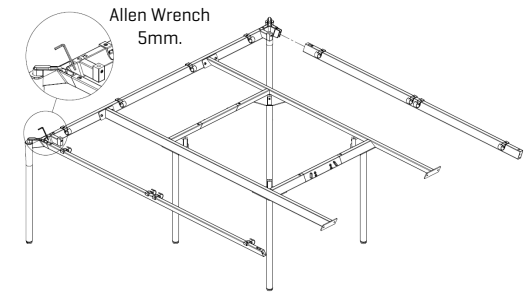
**Step 3:** Assemble 2 outside leg assemblies. Make sure to use circllet rails. [2 Sets]



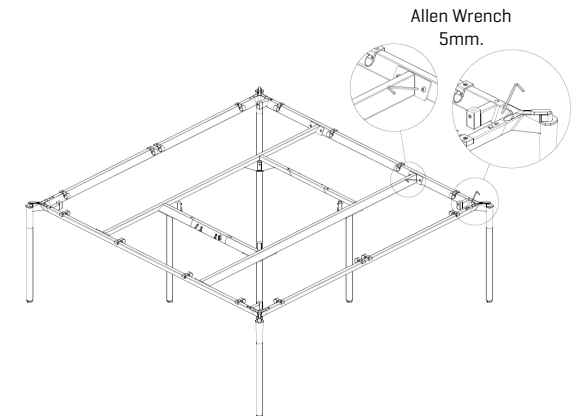
**Step 4:** Attach 1 outside leg assembly to the center H Frame using enclosed M8 SHCS.



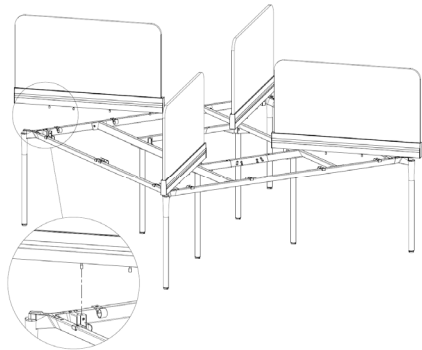
**Step 5:** Assemble outside rails to outside legs both sides and tighten set screws.



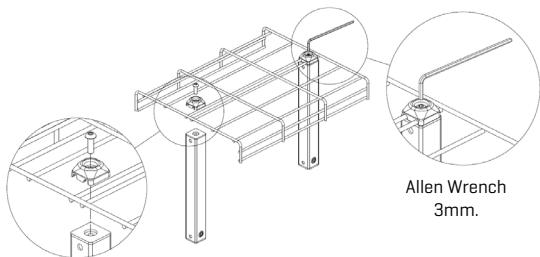
**Step 6:** Assemble the 2<sup>nd</sup> leg assembly to complete Frame. Tighten set screws using enclosed M8 SHCS to attach H Frame. Frame complete.



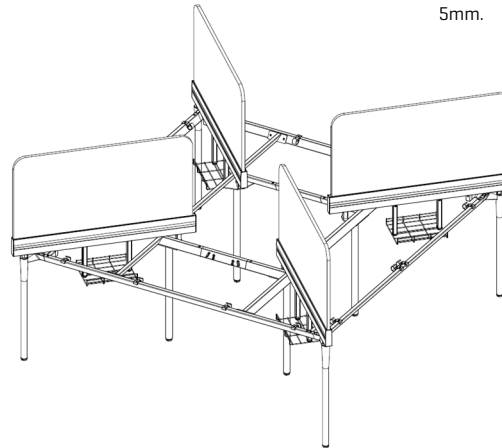
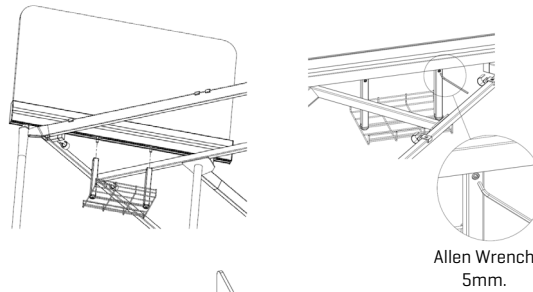
**Step 7: Assemble Dividers.** Align hanging pins on Toolbar with the slots on the Frame then tighten the set screws in both slots. Repeat 4 times.



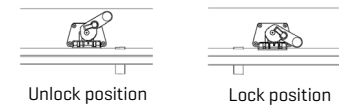
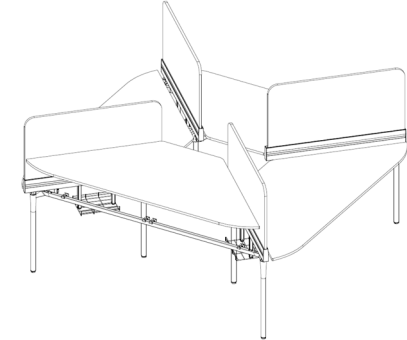
**Step 8: Assemble Wirebaskets.** Assemble 2 Hanger Column with the Wirebasket and Hanger Cap using enclosed M5 BHCS.



**Step 9: Attach Wirebaskets.** Align Wirebasket assembly with pins on the underside of the Toolbar then tighten set screws. Repeat 4 times.



**Step 10: Assemble Worksurfaces.** Align Wedge Block under the Worksurface to hang over the back Frame rail. Push the Locking Handles in until handles are parallel with rail. Repeat 4 times.



**Step 11: Assemble Modesty Screens.** Align Screen hook with Toolbar. Repeat 4 times. Assembly complete.

