

Important Safety Instructions:

- These instructions are provided for your safety. It is very important that they are read carefully and completely before beginning the assembly and installation of this lighting fixture.
- For your safety and convenience, it is strongly recommended that two people install the lighting fixture.
- This fixture has been rated for up to one (1) **40-watt maximum TYPE B standard incandescent light bulb (not included) or one (1) 9-watt compact fluorescent light bulb (not included) or one (1) 4.5-watt SBLED light bulb (included)**. To avoid the risk of fire, do not exceed the recommended wattage.
- This lamp is meant for indoor use. SUITABLE FOR EITHER DRY OR DAMP LACATIONS.
- **Save these instructions.**

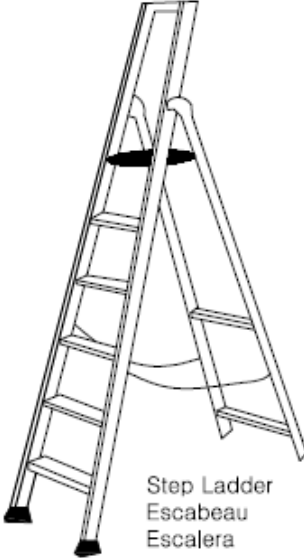
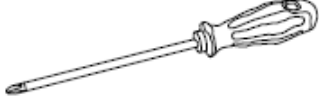
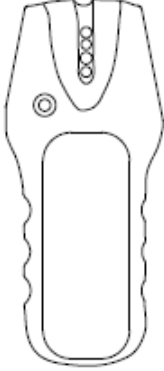
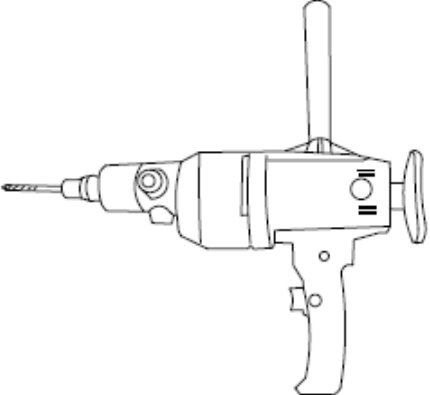
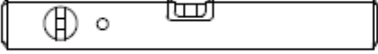
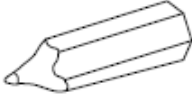
WARNING:

- **To reduce the risk of fire, electrical shock or personal injury, always turn off and unplug the light fixture and allow it to cool prior to replacing the light bulb.**
- **Do not touch bulb when fixture is turned on. Do not look directly at lit bulb.**
- **Keep flammable materials away from lit bulb.**

Pre-assembly:

- Remove all parts and hardware from box along with any plastic protective packaging.
- Do not discard any contents until after assembly is complete to avoid accidentally discarding small parts or hardware.
- For your safety and convenience, assembly by two people is recommended.

Tools Required (not included):

 <p>Step Ladder Escabeau Escalera</p>	 <p>Phillips Head Screwdrivers Tournevis à tête Phillips Destornilladores Cabeza Phillips</p>	 <p>Stud Finder Décteur de montants Buscador de Viga</p>	 <p>Drill and Drill Bit Foret et Perceuse électrique Taladro y Mecha</p>
	 <p>Level Niveau Nivel</p>		
	 <p>Pencil Crayon Lápiz</p>		

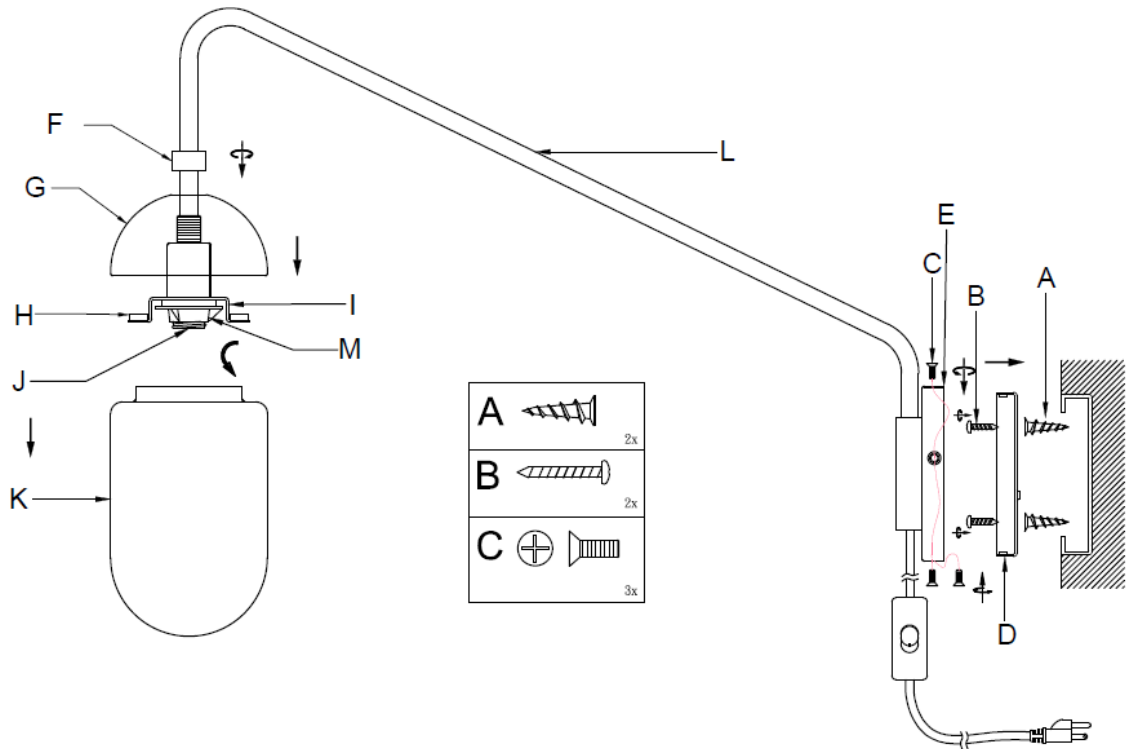
Pelle Sconce - Long Gooseneck Assembly Instructions

Parts Included:

- (D) Mounting Plate (1)
- (E) Canopy (1)
- (F) Threaded Nuts (1)
- (G) Metal Cap (1)
- (H) Plastic Pads (2)
- (I) Metal Plate (1)
- (J) Socket (1)
- (K) Glass Shade (1)
- (L) Lamp Arm (1)
- (M) Socket Ring (1)

Hardware Enclosed:

- (A) Wall Anchors (2)
- (B) Wall Screws (2)
- (C) Canopy screws (3)

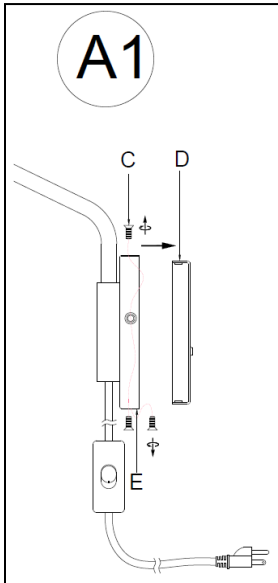


To assemble:

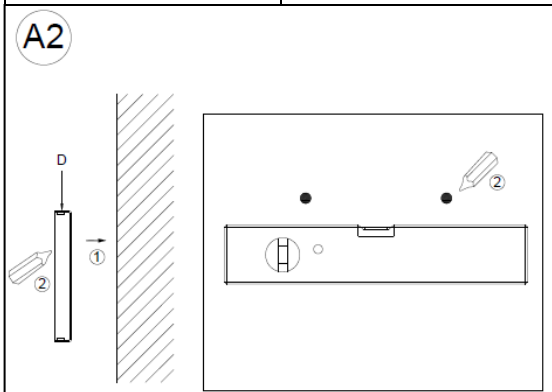
1. This mounting hardware is meant for dry wall/stud mounting only. If walls are concrete, brick or plaster, please consult your local hardware store for assistance. For safety and ease of mounting, installation is recommended using two people.
2. Stud mounting is always best, so try to position the Mounting Plate (D) over the studs . Use a stud finder to locate a stud in desired wall location. If Mounting Plate (D) aligns with stud, only use provided Wall Screws (B). If there is no stud, the Wall Anchors (A) and Wall Screws (B) are both required.
3. For Drywall Mounting: Assemble and install the Wall Anchors (A) and Wall Screws (B) using the steps as outlined in Section "FOR DRYWALL MOUNTING" below.
4. For Mounting to Joist: Assemble and install the Wall Screws (B) using the steps as outlined in Section "FOR MOUNTING TO JOIST" below.
5. After properly assemble the Wall Anchors (A) and Wall Screws (B) onto the wall, install the lighting fixture onto the wall using the steps as outlined in Section "Install the Light Fixture onto the Wall"

Pelle Sconce - Long Gooseneck Assembly Instructions

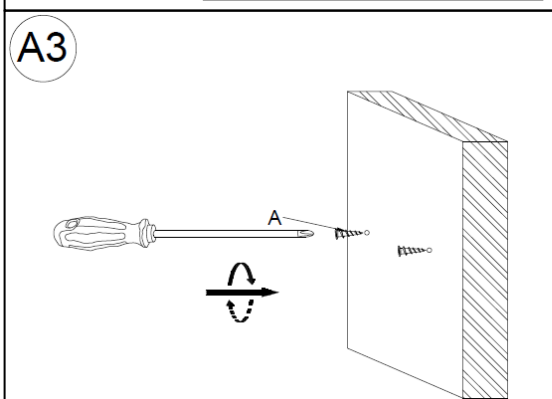
For drywall mounting:



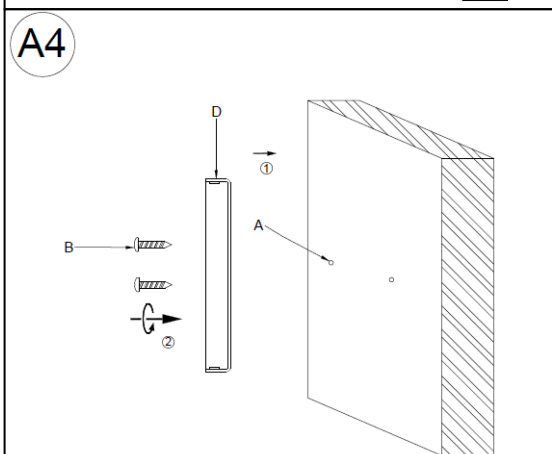
1. Separate the Mounting Plate (D) from the Canopy (E) by removing the 3 Canopy Screws (C). Do not discard the Canopy Screws (C) as these will be used later.



1. Place the Mounting Plate (D) against the wall at the desired hanging location.
2. Mark the mounting location of the 2 holes of Mounting Plate (D) onto the wall using a pencil. Use a carpenter's level to ensure a level installation.
3. **MAKE SURE THAT A POWER OUTLET IS REACHABLE BY THE CORD** without straining the cord.



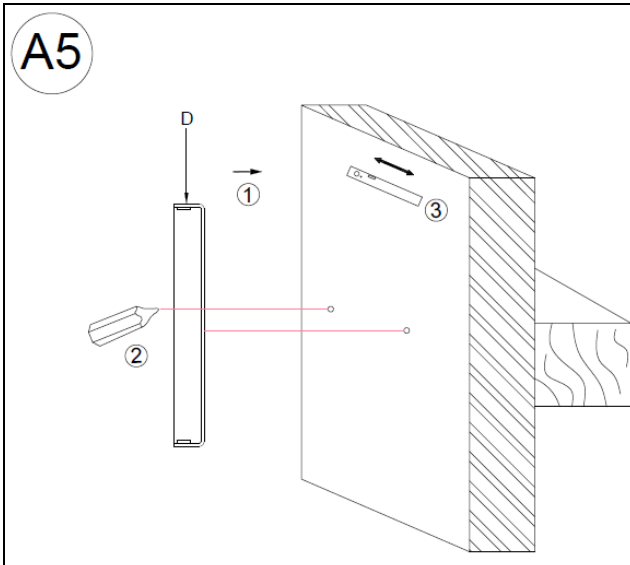
1. Use a Phillips Screwdriver to insert the Wall Anchors (A) at the marked keyhole locations. Do not "push" or drive the Wall Anchors (A) into the wall, it is designed to bore into the wall like a drill bit. Slowly turn the Wall Anchors (A) clockwise while applying pressure until the flange just touches the wall.



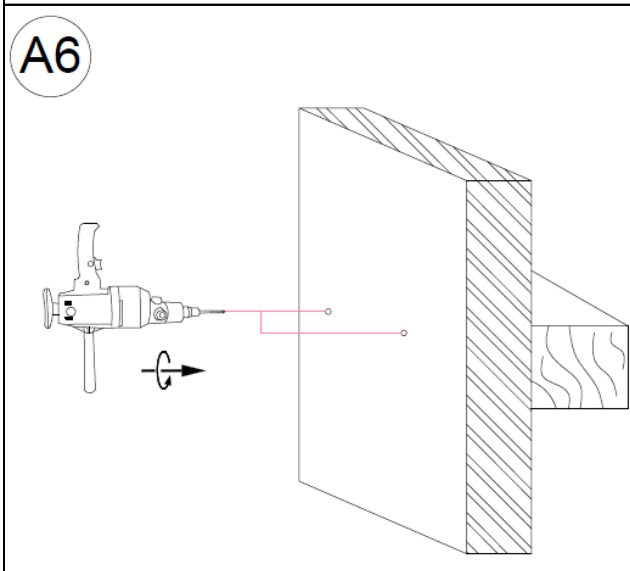
1. Attach the Mounting Plate (D) onto the wall aligning the 2 slots on Mounting Plate (D) with the 2 installed Wall Anchors (A).
2. Insert the Wall Screws (B) and tighten each to secure Mounting Plate (D) firmly onto the wall.

Pelle Sconce - Long Gooseneck Assembly Instructions

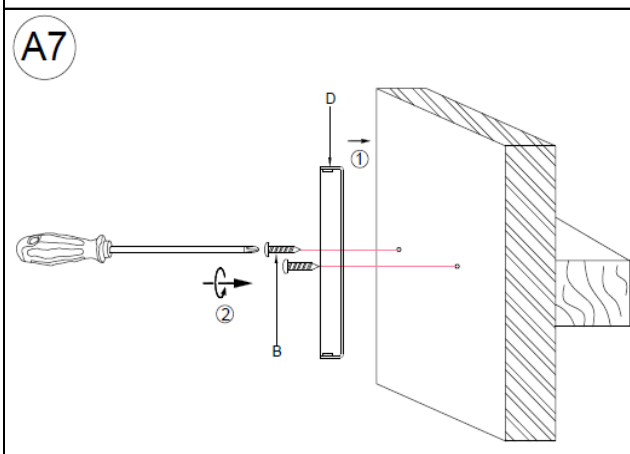
For mounting to joist



1. Place the Mounting Plate (D) against the wall at the desired hanging location.
2. Mark the mounting location of the 2 holes of Mounting Plate (D) onto the wall using a pencil.
3. Use a carpenter's level to ensure a level installation. **MAKE SURE THAT A POWER OUTLET IS REACHABLE BY THE CODE** without straining the cord.



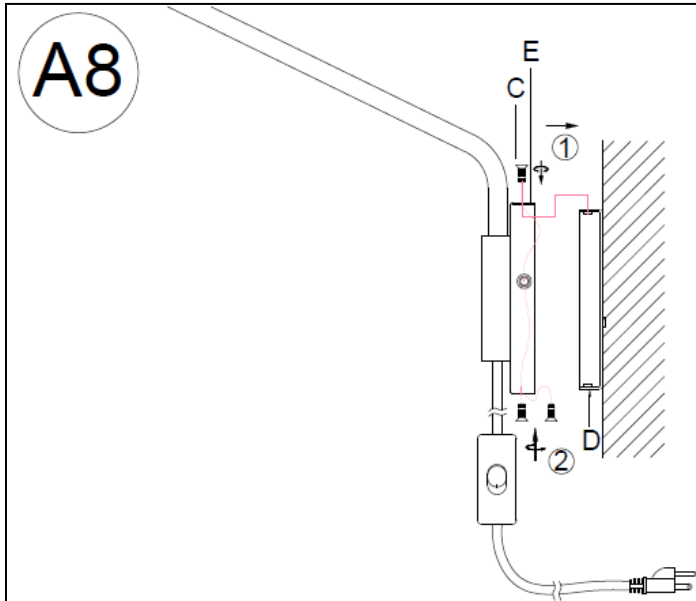
1. Pre-drill pilot holes at the marker locations. This will make installing the Wall Screws (B) onto the wall easier.



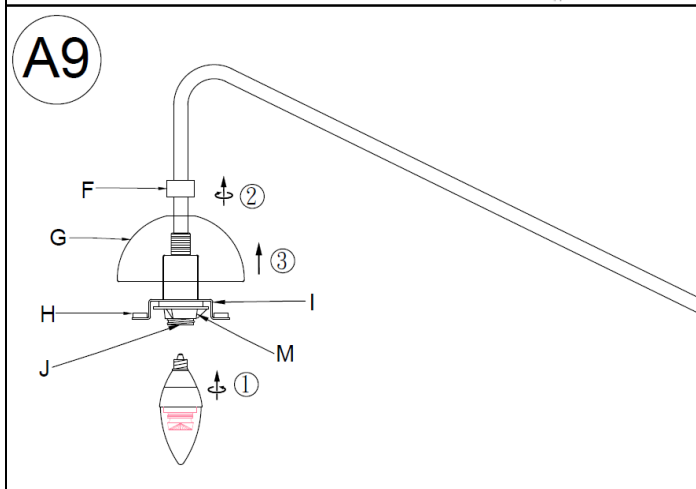
1. Attach the Mounting Plate (D) onto the wall aligning the 2 slots on Mounting Plate (D) with the 2 marked locations.
2. the Wall Screws (B) and tighten each to secure Mounting Plate (D) firmly onto the wall by using a screwdriver (not included).

Pelle Sconce - Long Gooseneck Assembly Instructions

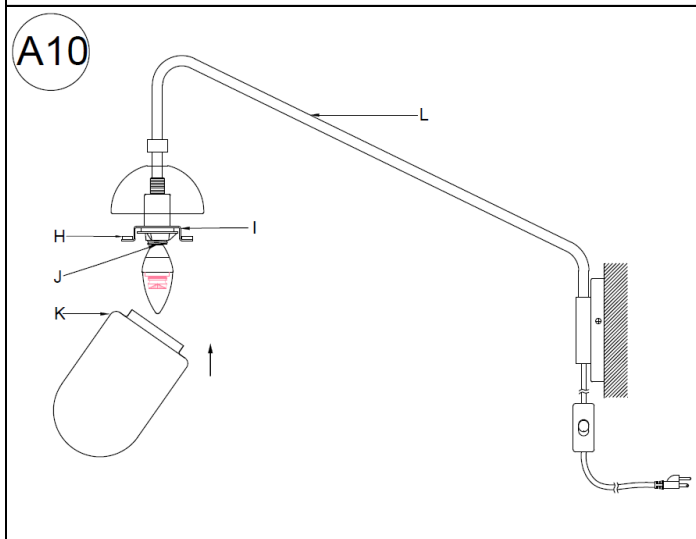
Install the Light Fixture onto the Wall:



1. Place the Canopy (E) onto the installed Mounting (D) aligning the holes on the top and bottom of the Canopy (E).
2. Secure the Canopy (E) onto the Mounting plate (D) using the Canopy Screws (C), tightening them with a screwdriver (not included) until tight.

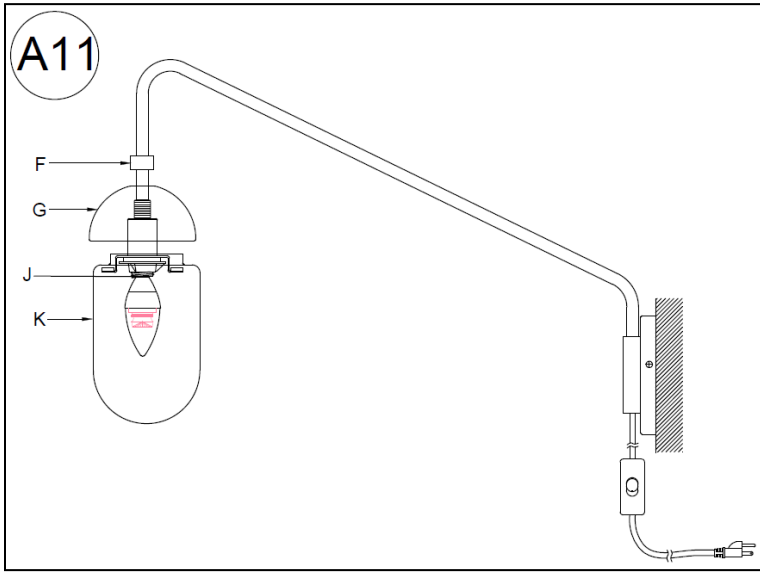


1. Insert the specified light bulb into the Socket (J) DO NOT EXCEED THE SPECIFIED WATTAGE.
2. Unscrew the Threaded Nuts (F) by turning each counter-clockwise by hand.
3. Slide the Metal Cap (G) and the Threaded Nut (F) upwards along the Metal Arm (L) and holding it with the help of another people.



1. Position the Glass Shade (K) over the Metal Plate (I) by inserting the Socket (J) and Metal Plate (I) into the opening of the Glass Shade (K) in a slanted direction until the 2 Plastic Pads (H) on the Metal Plate (I) are contacted and engaged with the interior shoulder surface of Glass Shade (K)

Pelle Sconce - Long Gooseneck Assembly Instructions



1. Lower the Metal Cap (G) until the edge of the Metal Cap (G) is fully contacted and aligned with the upper outer edge of the Glass Shade (K). Secure the Glass Shade (K) by turning the Threaded Nut (F) onto the threaded portion at the top of the Socket (J) in a clockwise direction by hand until tight. Do not over tighten.

Care instructions:

- Wipe clean with a soft, dry cloth or static duster.
- Always avoid the use of harsh chemicals or abrasive cleaners as they may cause damage to the fixture's finish.

Thank you for your purchase
Stores | catalog | www.westelm.com
USA 888-922-4119

US/CN

Page 6 of 6