

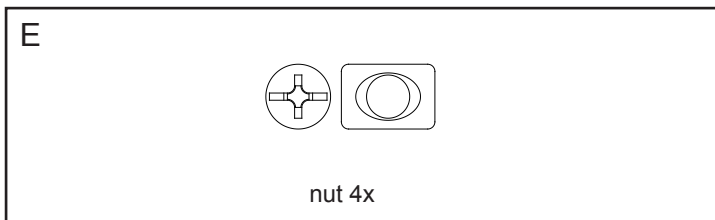
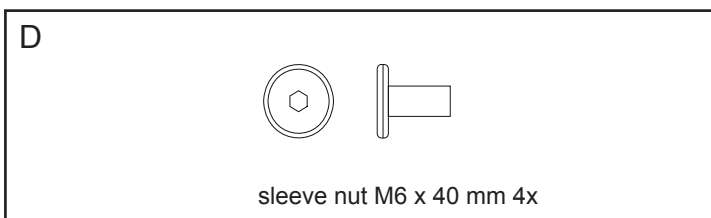
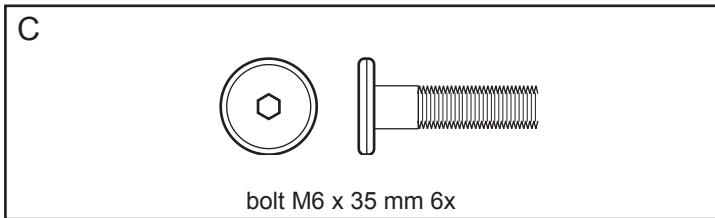
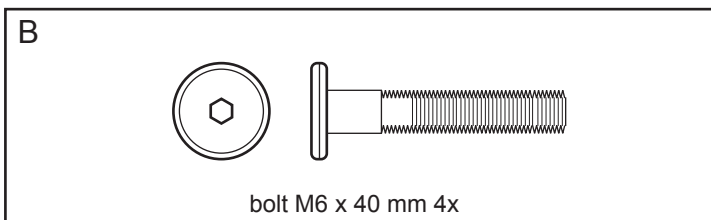
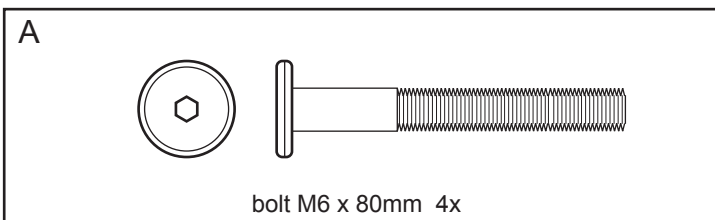
! Tools required :

! Do not throw away packaging materials until assembly is complete.

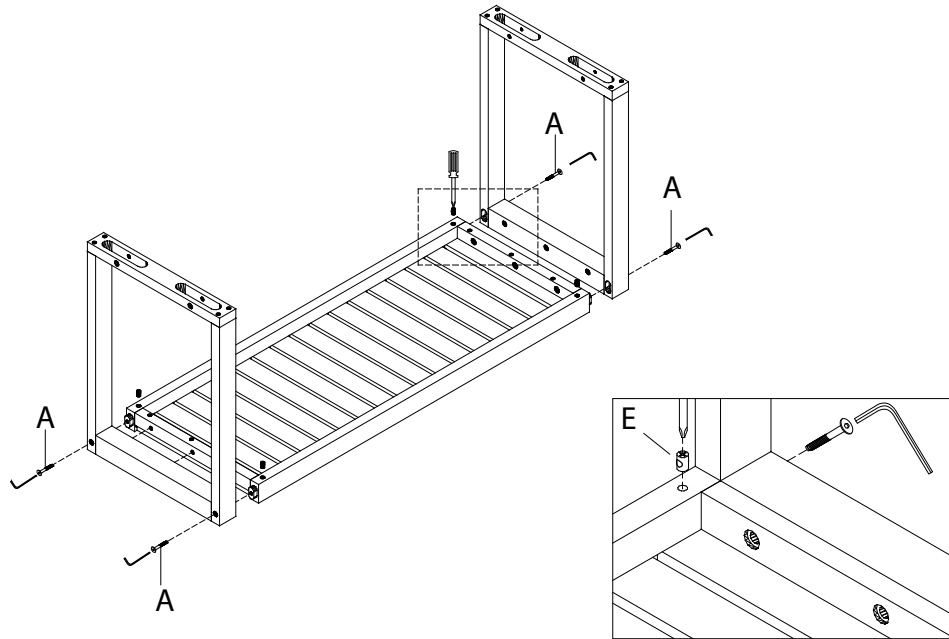
! Assemble this item on a soft surface, such as carboard or carpet, to protect the finish.

! Proper assembly of this item requires 2 people.

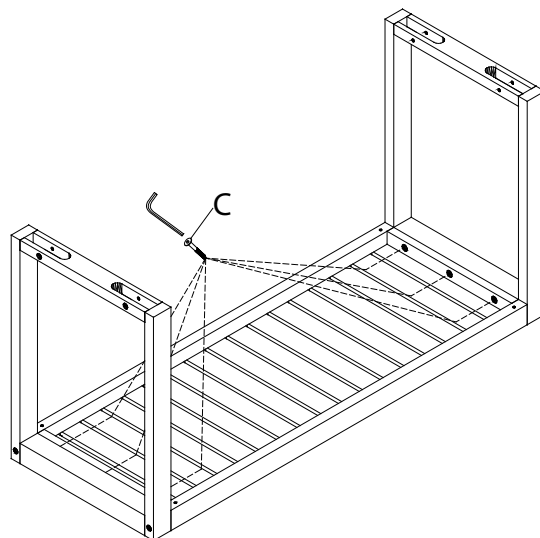
## Hardware



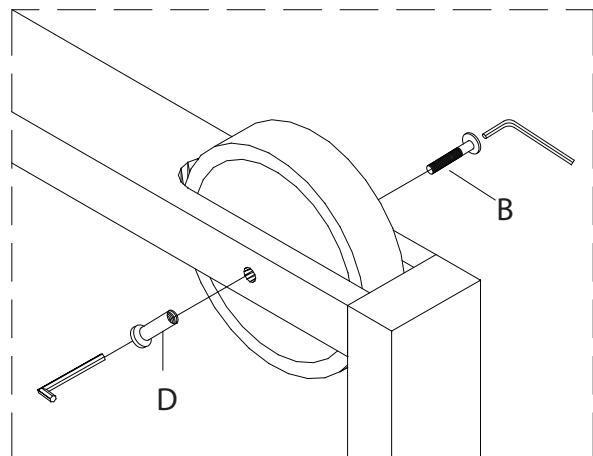
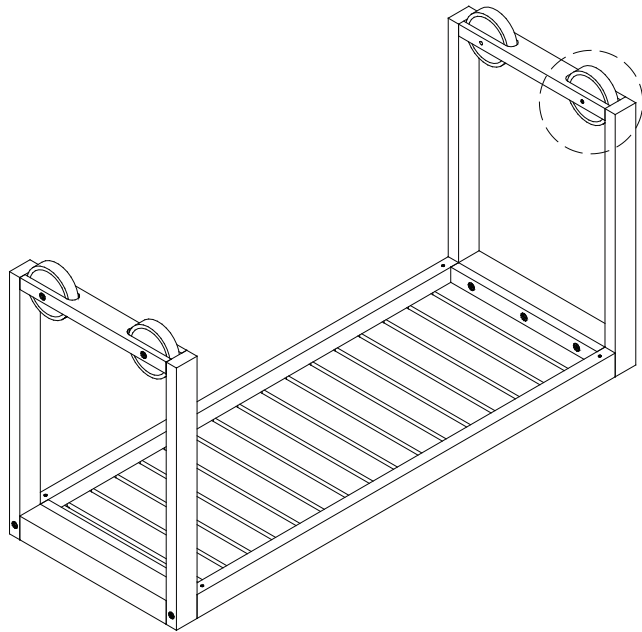
1. Carefully lay table top upside down on a carpeted or scratch-free surface. Assemble all wooden parts as shown. Secure the left leg frame with 2 bolts (A) and 2 nuts (E) to the table top. Repeat same procedure for the right leg frame .



2. Insert 6 bolts (C) into the holes in the table top as shown. Tighten with allen key.



3. Attach wheels by inserting bolts (B) and sleeve nuts (D) into holes as shown. Tighten with allen key.



#### CARE INSTRUCTIONS

Hardware may loosen overtime. Periodically check that all connections are tight.

Wipe with a soft, dry cloth. To protect finish, avoid the use of chemicals and household cleaners.