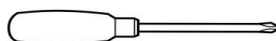


! Tool required (not included): Philips Head Screwdriver



! Do not throw away packaging materials until assembly is complete.

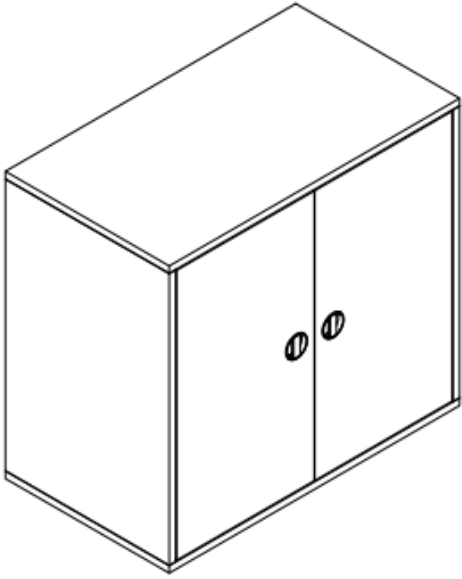
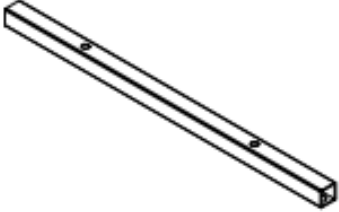
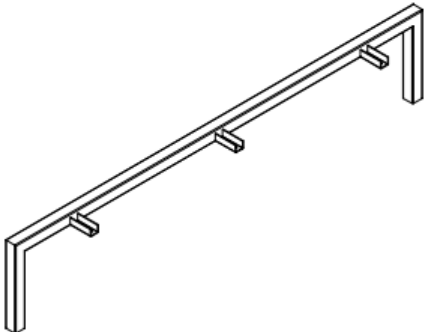



! To protect the finish, assemble this item on a soft surface, such as cardboard or carpet.

! 2 people required to assemble this item.

CARE INSTRUCTIONS

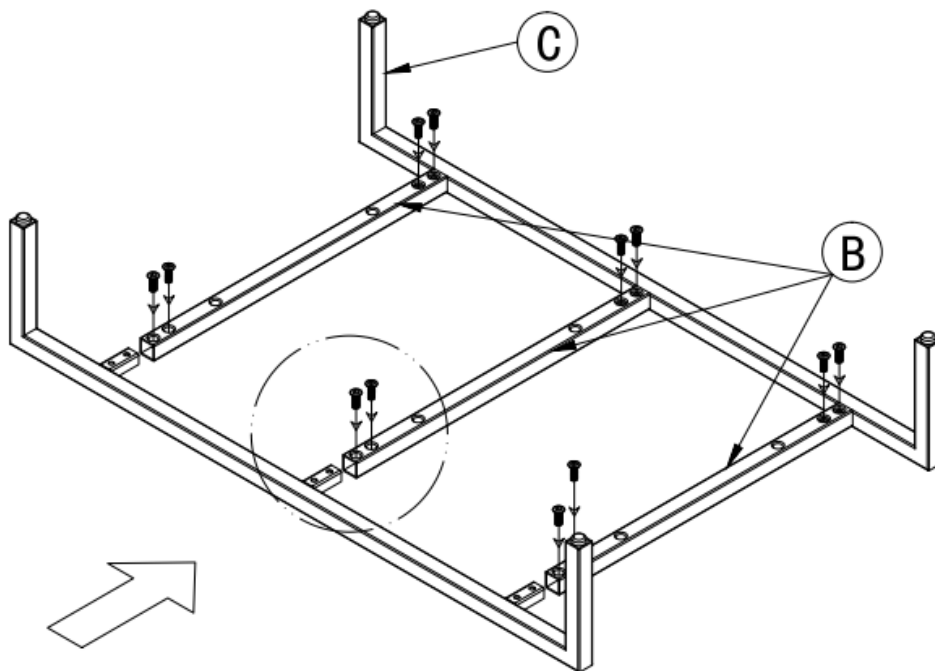
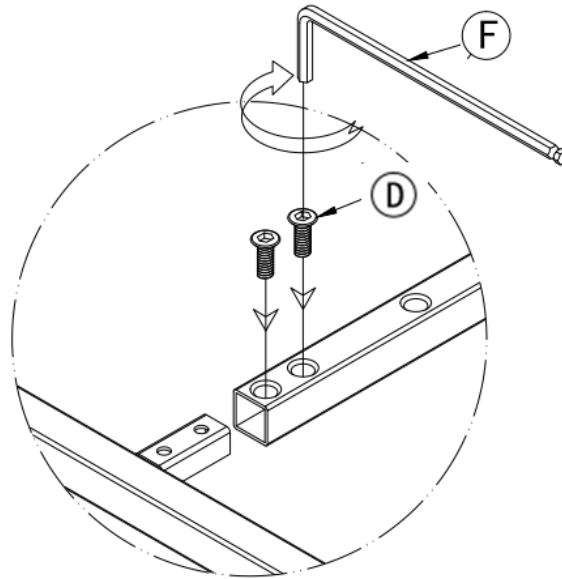
Hardware may loosen over time. Periodically check that all connections are tight. Wipe with a soft, dry cloth. To protect finish, avoid the use of chemicals and household cleaners. All hot serving dishes should be placed on a pad. Any liquid spilled onto the table should be cleaned up immediately with a damp cloth.

Parts

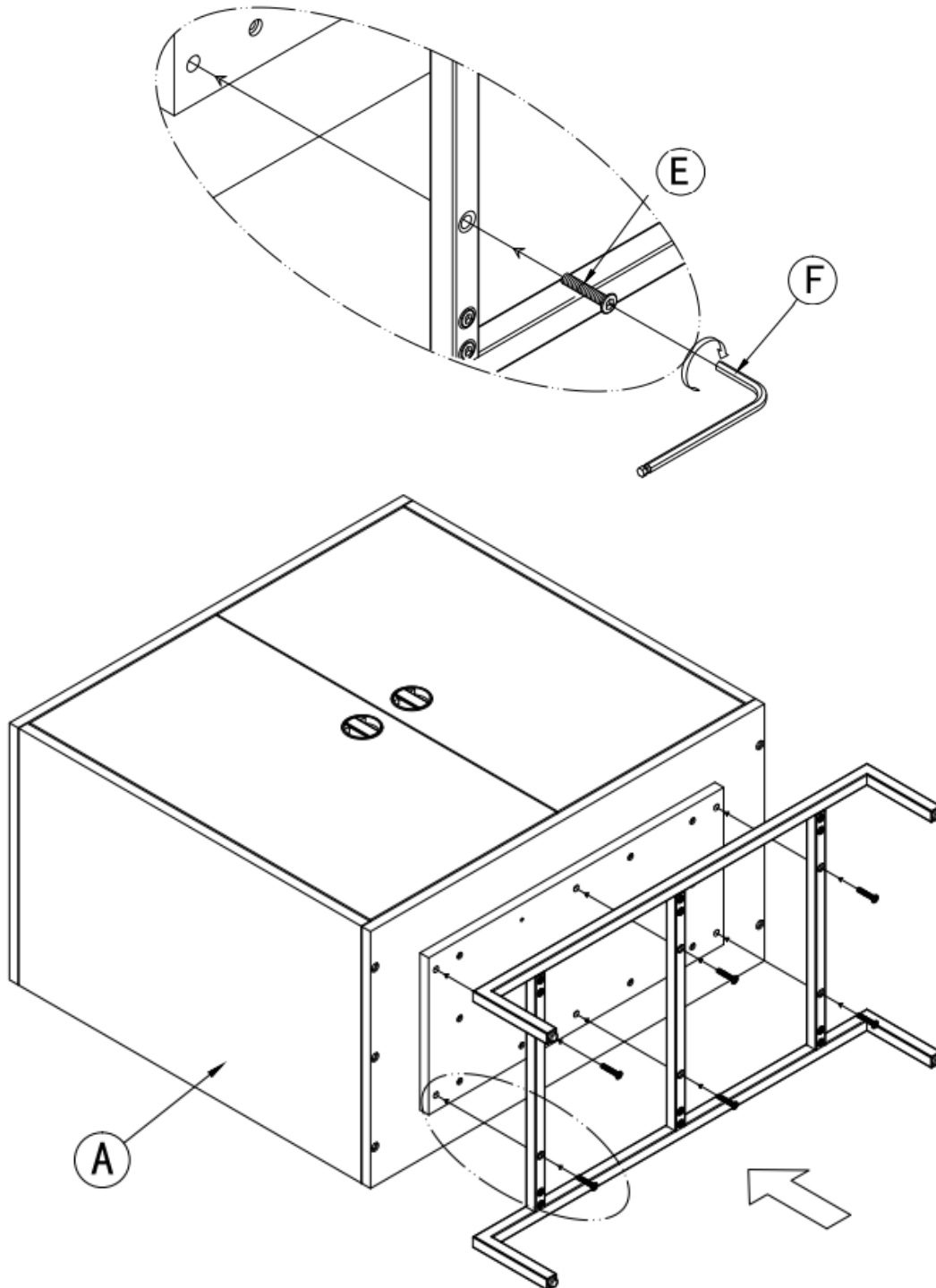
<p>A</p>  <p>Case 1x</p>	<p>B</p>  <p>Bottom rail 3x</p>
<p>C</p>  <p>Leg frame 2x</p>	<p>D</p>  <p>Bolt 1/4" x 5/8" 12x</p>
<p>E</p>  <p>Bolt 1/4" x 1-1/4" 6x</p>	<p>F</p>  <p>Allen Key M4 x 110 x30</p>

Assembly instructions:

1. Put the Leg frame (C), Bottom rail (B) on the soft surface as the illustration below, Tighten 12 Bolts (D) by Allen Key (F).



- Put the case (A) upside down on the soft surface and attach the metal base as the illustration below, Tighten 6 Bolts (E) by Allen Key (F).



3. Place the bar upright and re-tighten all bolts. If the bar doesn't sit level, adjust the leveler under the legs.

