

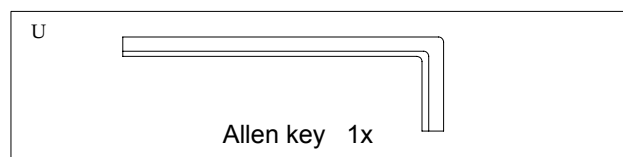
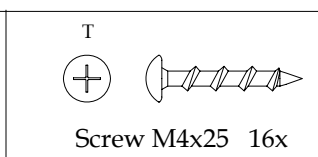
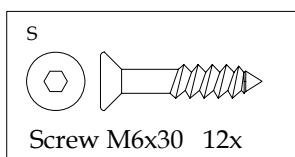
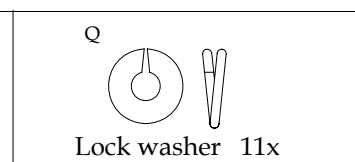
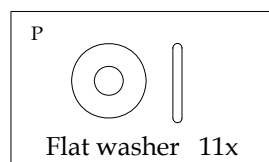
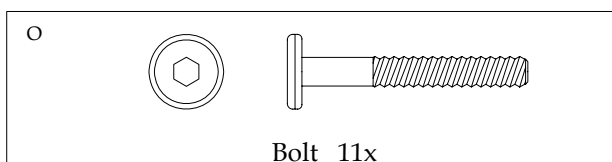
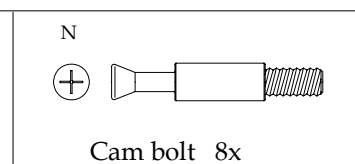
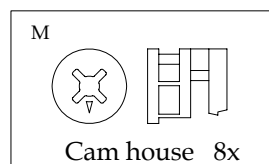
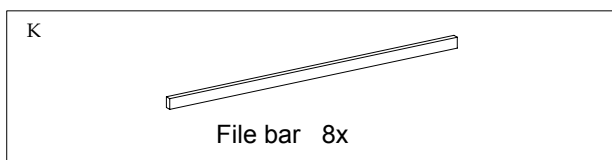
! Tool required:

! Do not throw away packaging materials until assembly is complete.

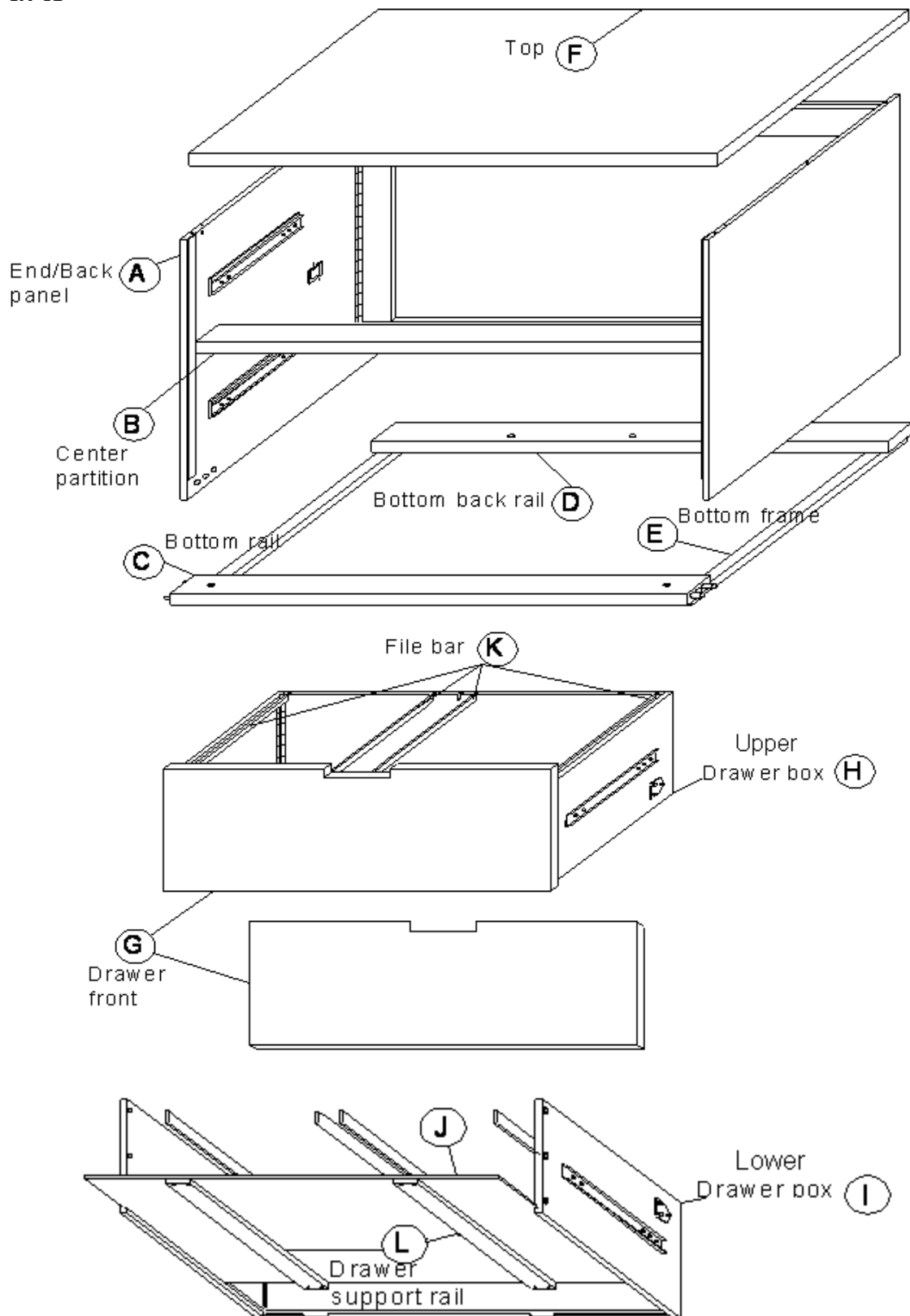
! Assemble this item on a soft surface, such as: cardboard or carpet to protect finish.

! Proper assembly of this item requires 2 people.

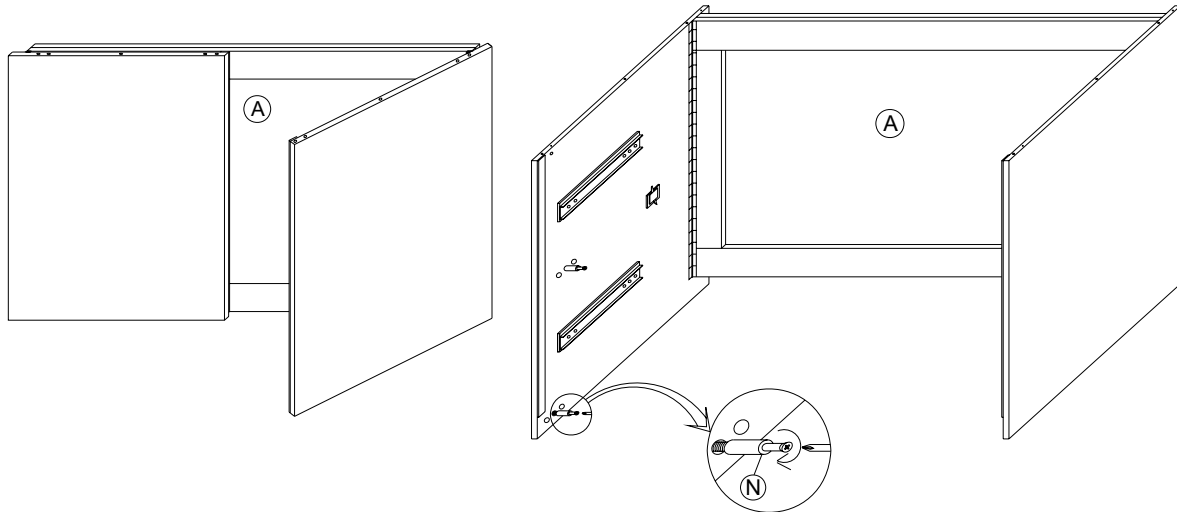
Hardware



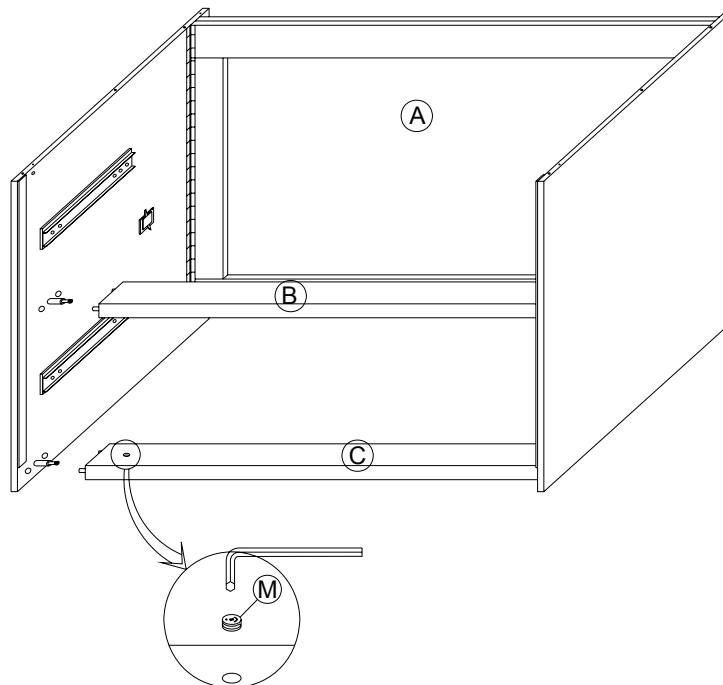
Parts



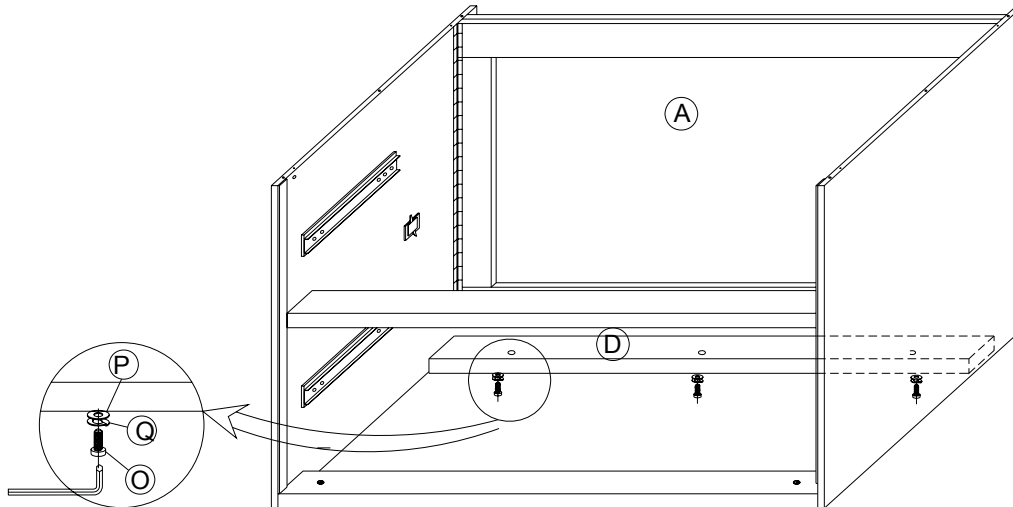
1. Unfold end/back panel (A). Put cam bolt (N) into pre-installed inserts in each end panel at the front as shown below. Tighten cam bolts (N) with Phillips head screw driver.



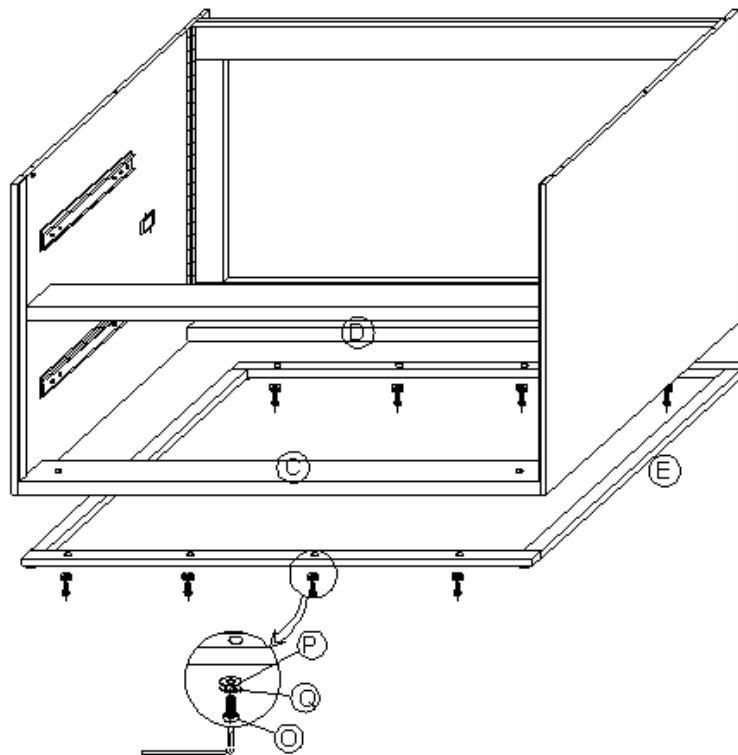
2. Assemble center partition (B) and bottom rail (C) with end/back panels (A) by aligning pre-drilled holes in center partition (B) and bottom rail (C) with cam bolt (N) assembled in step 1. Put cam house (M) in pre-drilled hole at each end of center partition (B) and bottom rail (C) as shown below. Tighten cam house (M) with allen key (U).



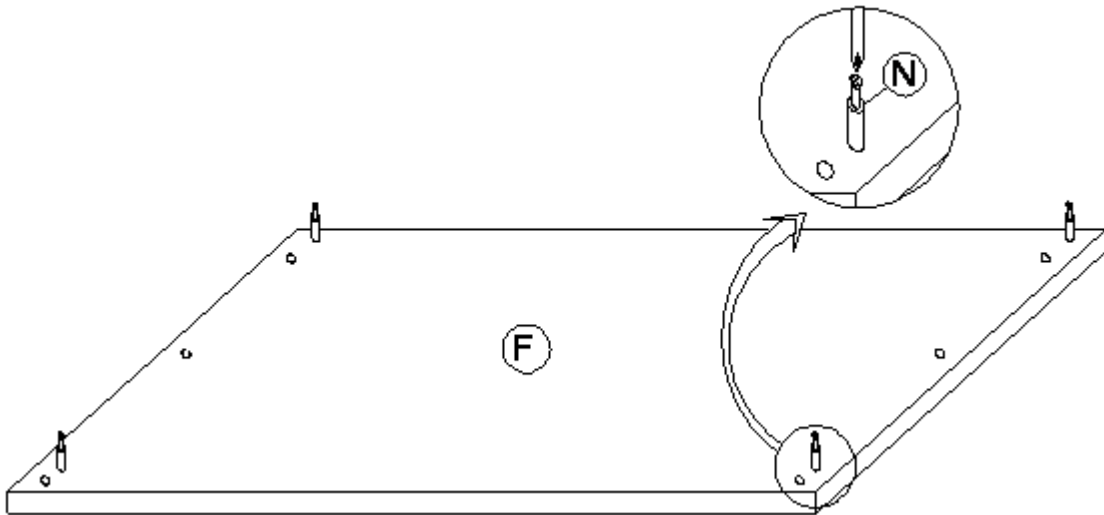
3. Attach bottom back rail (D) to back panels (A) with three bolts (O), lock washers (Q) and washers (P) as shown below. Tighten all bolts (O) with allen key (U).



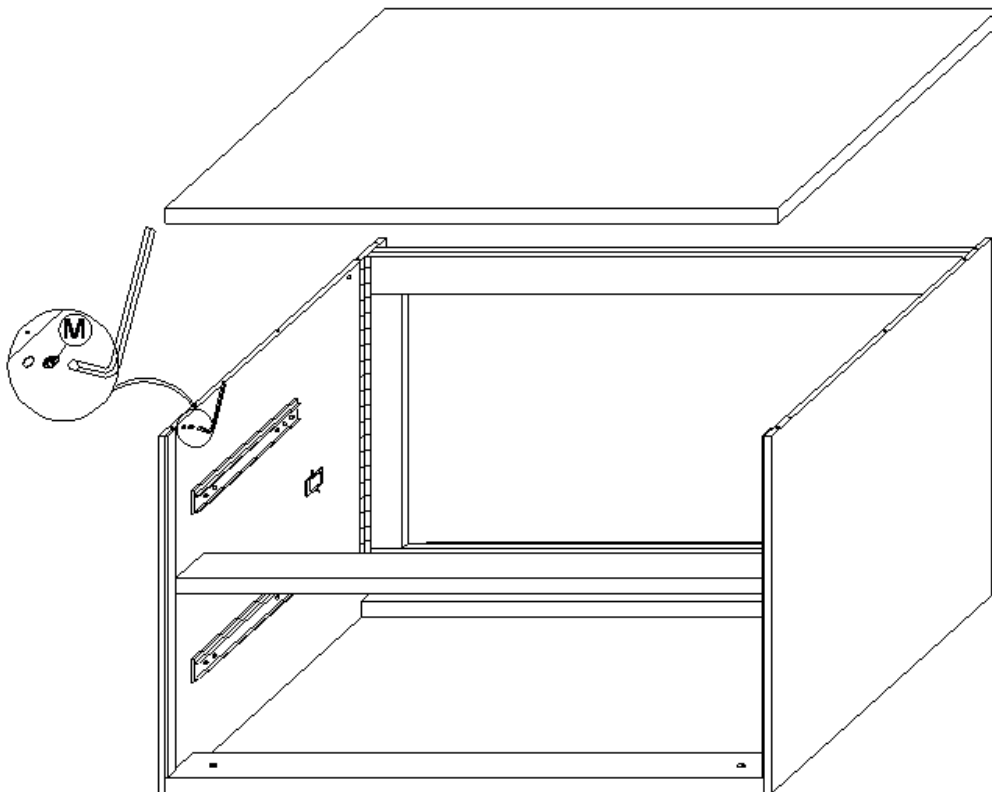
4. Assemble bottom frame (E) with bottom rail (C) and bottom back rail (D) with bolts (O), lock washers (Q) and washers (P) as shown below. Tighten all bolts (O) with allen key (U).



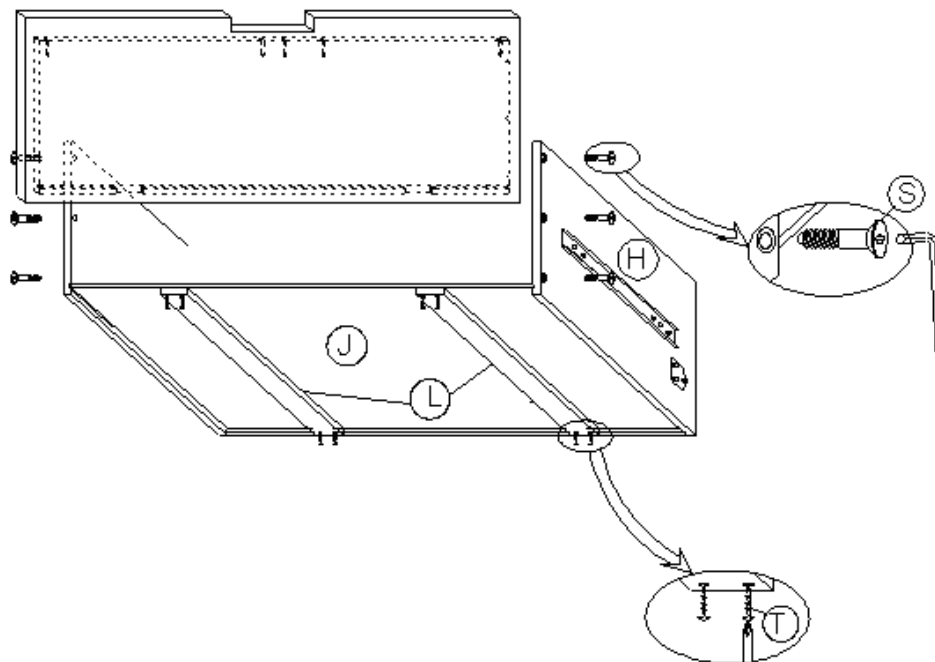
5. Insert four cam bolts (N) into pre-drilled inserts at corners of top (F) as shown below. Tighten cam bolts (N) with Phillips head screw driver.



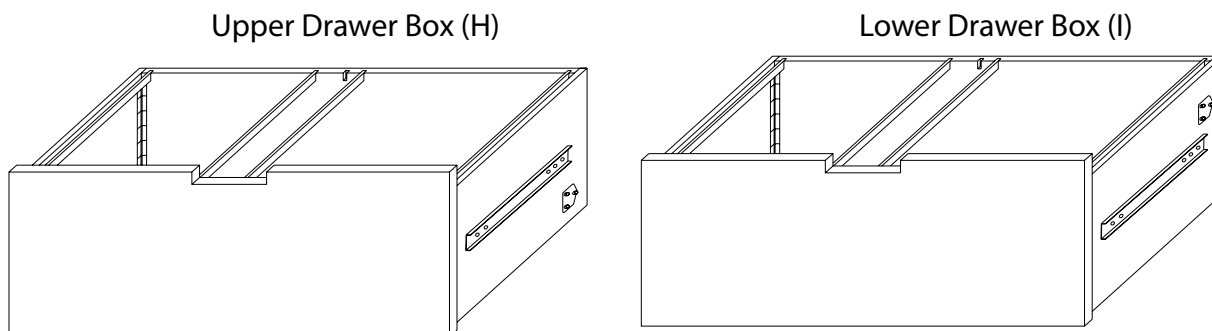
6. Carefully flip over top (F) and assemble with end/back panels (A) by aligning cam bolts on top (F) with pre-drilled holes in end/back panels (A). Insert four cam houses (M) into pre-drilled holes on end/back panels (A) as shown below. Tighten cam house (M) with allen key (U).



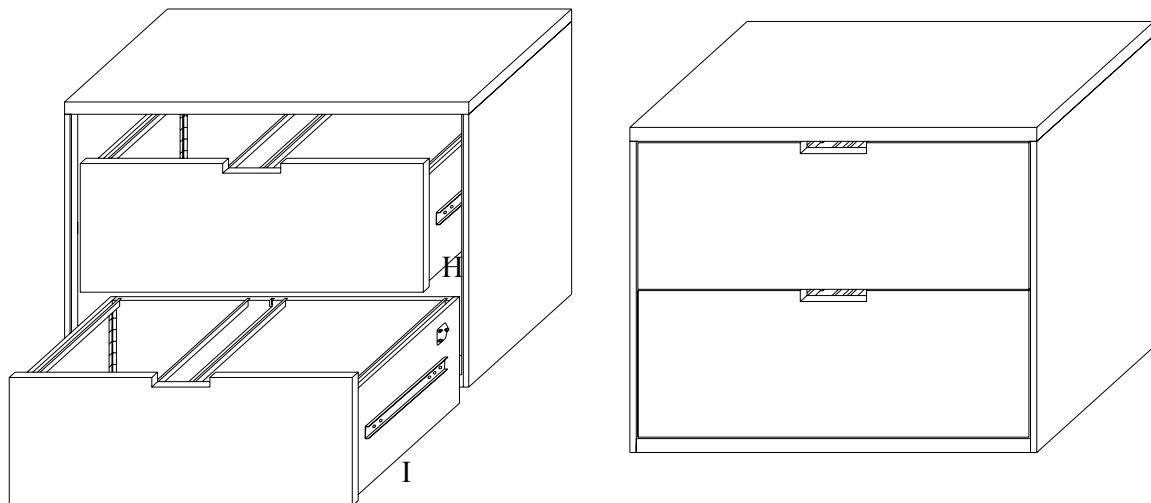
7. Unfold upper drawer box (H). Slide drawer bottom panel (J) into the drawer box groove on back side of drawer front (G) with exposed edge of drawer bottom panel (J). Run 3 screws (S) through drawer box (H) to each side of drawer front (G), tighten screws (S) with allen key (U). Put two drawer support rails (L) in the notches on back side of assembled drawer. Run two screws (T) through pre-drilled holes in each end of drawer support rail (L) as shown below. Tighten all screws (T) with Philips head screw driver.



8. Repeat step for lower drawer box (I) assembly.
9. Install file bars (K) into the walls of upper drawer box (H) and lower drawer box (I) as shown.



10. Install upper drawer box (H) and lower drawer box (I) into the cabinet as shown.



CARE INSTRUCTIONS

Hardware may loosen over time. Periodically check that all connections are tight.

Wipe with a soft, dry cloth. To protect finish, avoid the use of chemicals and household cleaners.