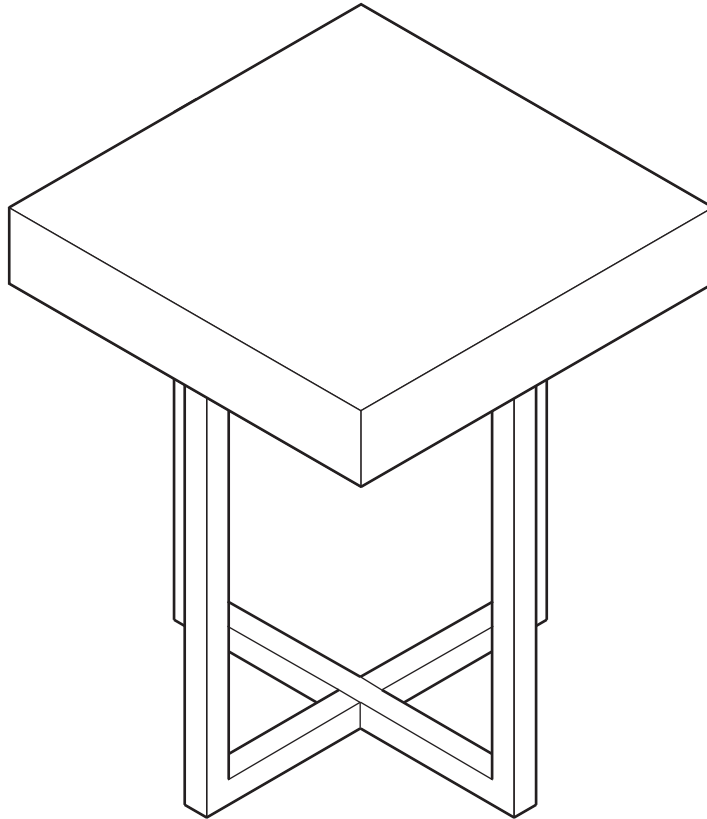


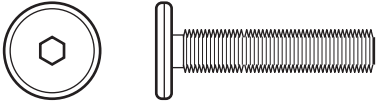

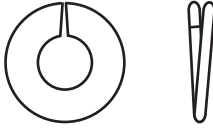
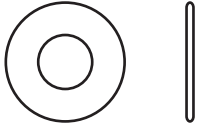

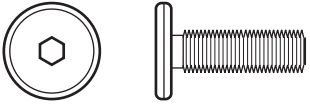
west elm : square metal side table

assembly instructions



! Do not throw away packaging materials until assembly is complete.

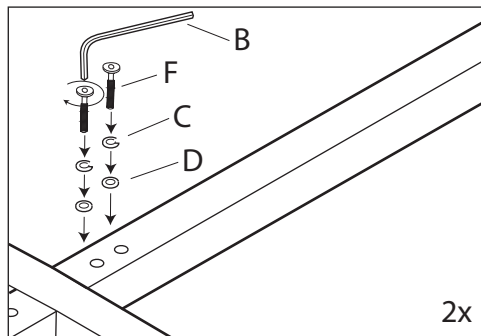
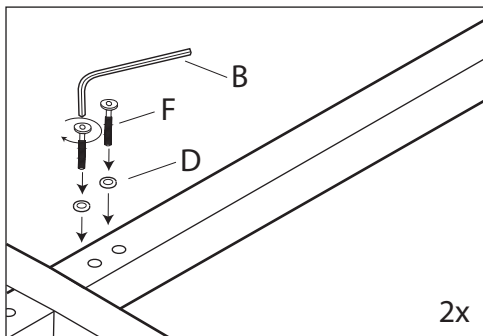
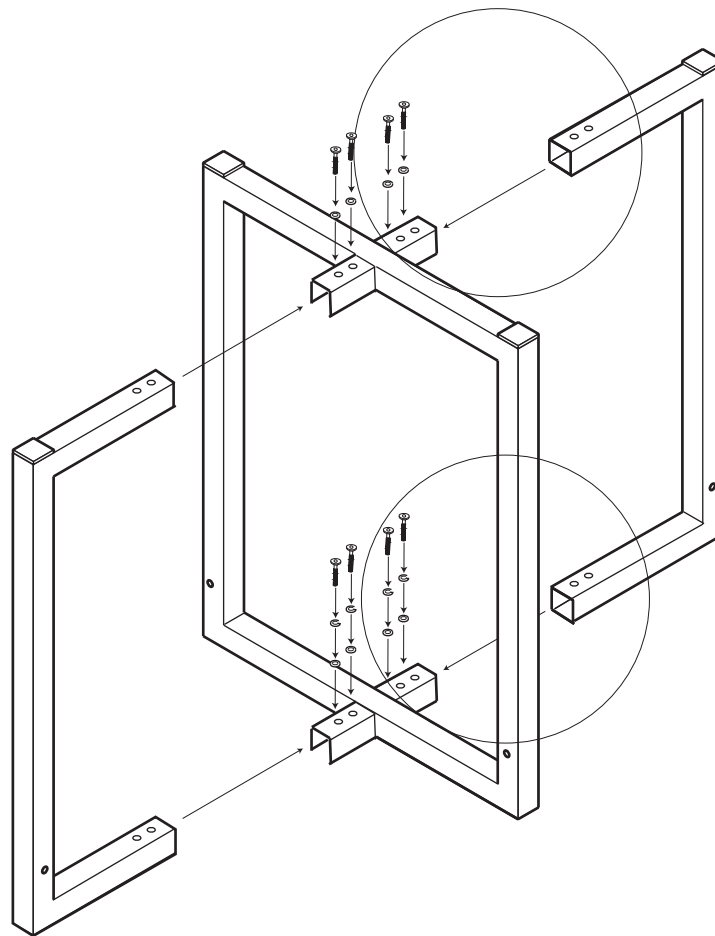
! Assemble this item on a soft surface, such as cardboard or carpet, to protect the finish.

<p>A</p>  <p>bolt: 1/4" dia x 1" 4x</p>	<p>B</p>  <p>allen key 2x</p>
<p>C</p>  <p>lock washer 8x</p>	<p>D</p>  <p>metal washer 12x</p>
<p>E</p>  <p>cap nut 4x</p>	<p>F</p>  <p>bolt: 1/4" dia x 1/2" 8x</p>

west elm : square metal side table

assembly instructions

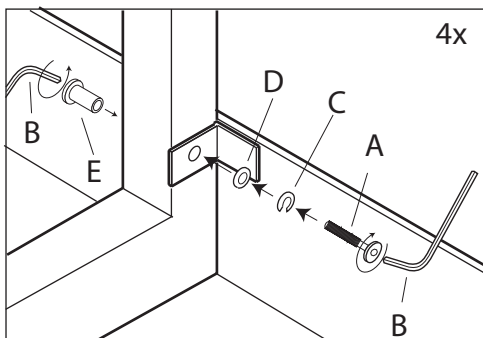
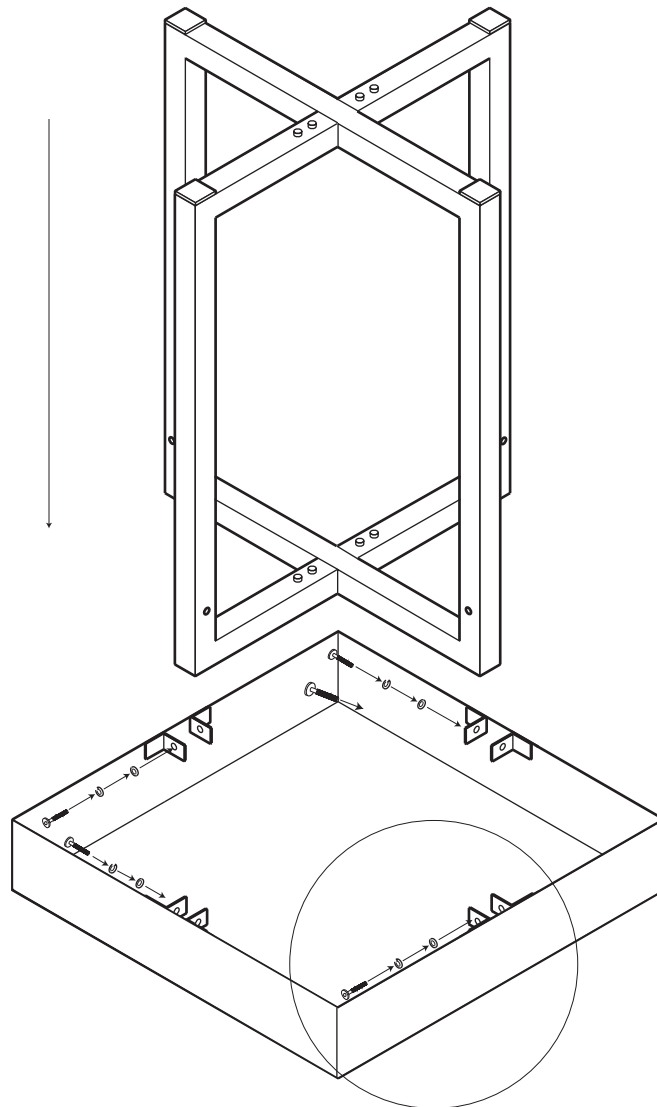
1. Slide leg components together as shown. Take care to keep all foot pads facing towards the same end. Insert bolt (F) with lock washer (C) and metal washer (D) through pre-drilled holes in legs. Tighten using allen key (B).



west elm : square metal side table

assembly instructions

- Aligning the top of the legs with the tabs underneath the tabletop, set the legs into place. Insert bolt (A) with lock washer (C) and metal washer (D) through pre-drilled holes in tabs and legs and into cap nut (E). Tighten using allen key (B).



CARE INSTRUCTION

Hardware may loosen over time. Periodically check that all connections are tight.

Wipe with a soft, dry cloth. To protect finish, avoid the use of chemicals and household cleaners.