

CAUTION:

- **BEFORE INSTALLING FIXTURE, MAKE SURE THE POWER TO THE CIRCUIT IS TURNED OFF AT THE MAIN FUSE BOX / CIRCUIT BREAKER UTILITY BOX.**
- **Do not use the electric cord only (without steel cable) to support the weight of the lighting fixture.**

Important Safety Instructions:

- These instructions are provided for your safety. It is very important that they are read carefully and completely before beginning the assembly and installation of this lighting fixture.
- We strongly recommend that a professional electrician install all direct wire fixtures.
- THIS PRODUCT MUST BE INSTALLED IN ACCORDANCE WITH THE APPLICABLE INSTALLATION CODES BY A PERSON FAMILIAR WITH THE CONSTRUCTION AND OPERATION OF THE PRODUCT AND THE HAZARDS INVOLVED.
- The lighting fixture is meant for indoor use. It must be connected only to 3-wire, single-phase electrical supply systems (provided with Ground wire or equivalent protection system).
- For your safety, it is strongly recommended that two people install the lighting fixture.
- This fixture has been rated for up to six (6) **60-watt maximum TYPE G standard incandescent light bulbs** (not included) or six (6) **13-watt compact fluorescent light bulbs** (not included). To avoid the risk of fire, do not exceed the recommended lamp wattage.
- The lighting fixture is meant for indoor use, DRY LOCATIONS ONLY.
- **Save these instructions.**

WARNING:

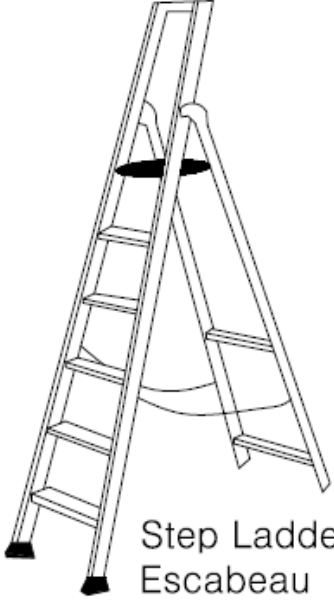
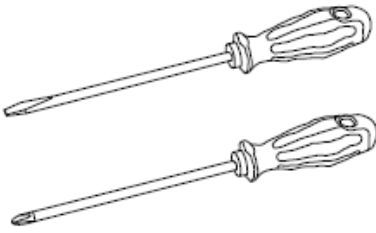
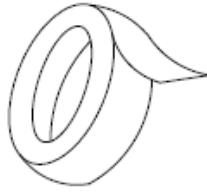
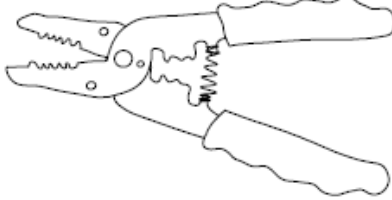
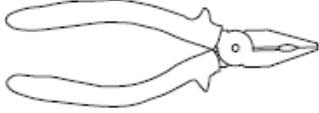
- **To reduce the risk of fire, electrical shock or personal injury, always turn off light fixture and allow it to cool prior to replacing light bulb.**
- **Do not touch bulb when fixture is turned on. Do not look directly at lit bulb.**
- **Keep flammable materials away from lit bulb.**
- **This lighting fixture contains lead, a chemical known to the State of California to cause cancer, birth defects and other reproductive harm. Wash hands after installing, handling, cleaning or otherwise touching this light fixture.**

Pre-assembly:

- Remove all parts and hardware from box along with any plastic protective packaging.
- Do not discard any contents until after assembly is complete to avoid accidentally discarding small parts or hardware.
- For your safety, it is strongly recommended that two people install the lighting fixture.

Mobile Chandelier - Large Assembly Instructions

TOOLS REQUIRED (not included):

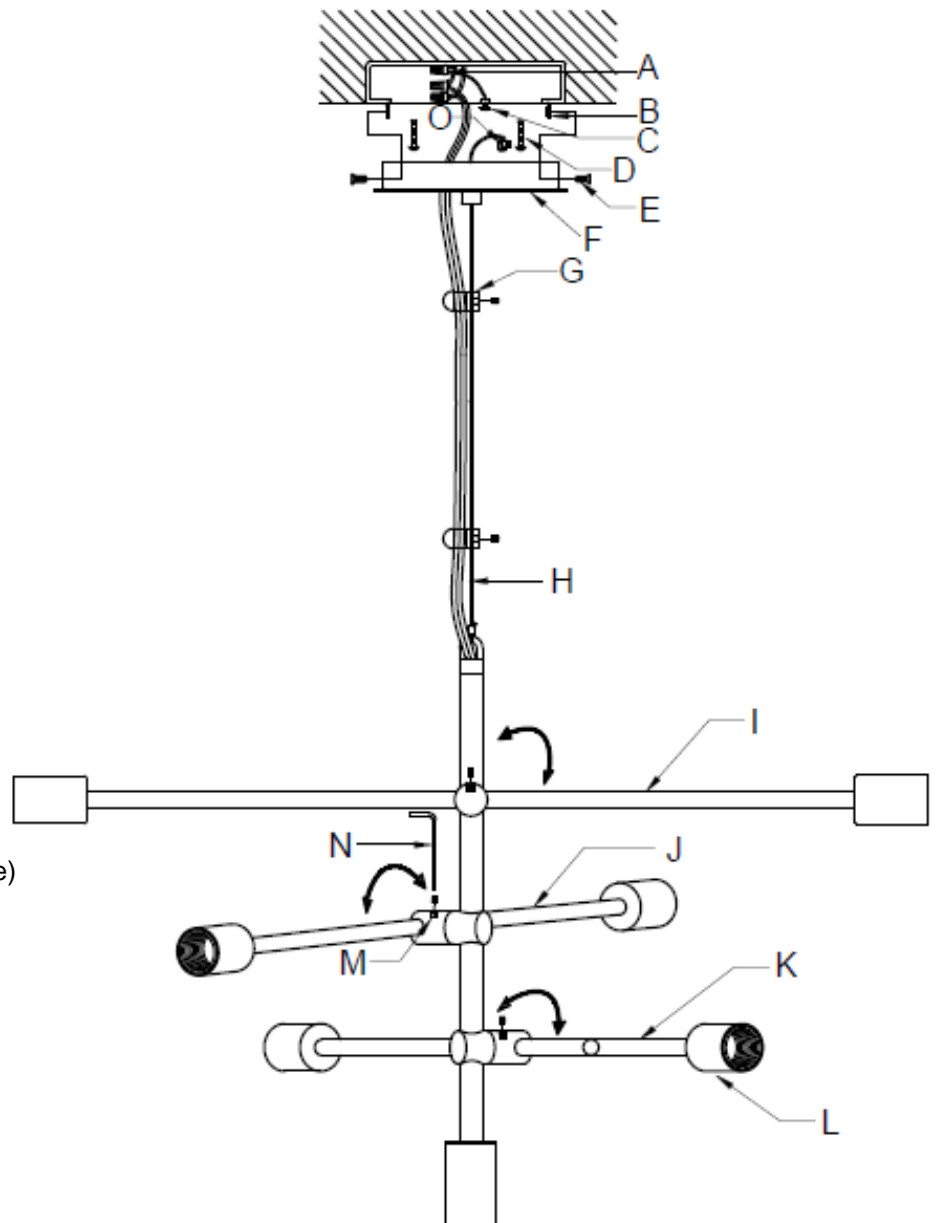
 <p>Step Ladder Escabeau Escalera</p>	 <p>Phillips Head, Flat Blade Screwdrivers Tournevis à tête Phillips et à tête plate Destornilladores Cabeza Phillips y Destornilladores Cabeza Plana</p>	 <p>Electrical tape Ruban isolant Cinta Electrica.</p>
	 <p>Wire Cutter/Stripper Pince coupe-fil/ à dénudé Cortador de Cable</p>	 <p>Plier Pince Alicates</p>

Parts Included:

- (B) Mounting Plate (1)
- (C) Green Ground Screw (1)
- (E) Canopy Screws (2)
- (F) Canopy (1)
- (G) Cord Grips (2)
- (H) Steel Cable (1)**
- (I) Upper Arm (1)
- (J) Middle Arm (1)
- (K) Lower Arm (1)
- (L) Sockets (6)
- (M) Allen Screws (3)
- (O) Binding Collar (1)

Hardware Enclosed:

- (A) Plastic Wire Nut Connectors (3)
- (D) Mounting Screws (3) (includes extra one)
- (N) Allen Wrench (1)

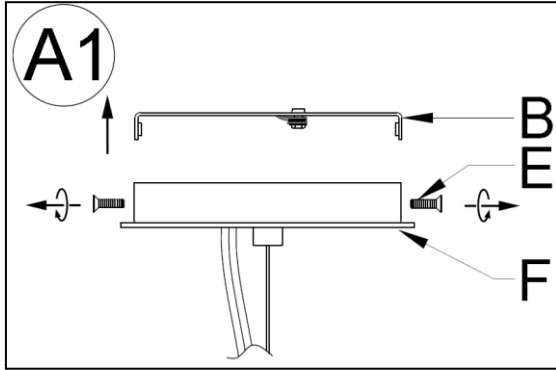


Mobile Chandelier - Large Assembly Instructions

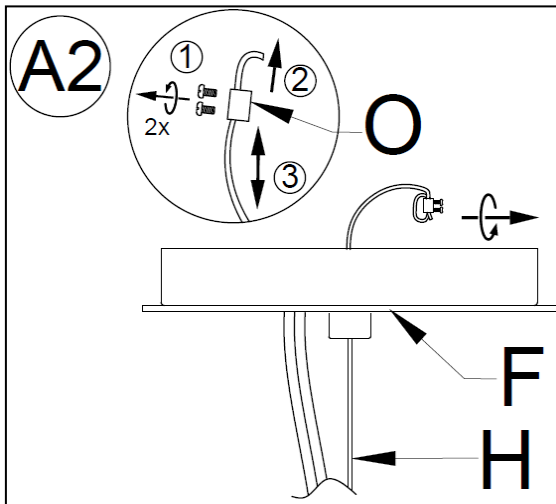
To Adjust The Suspension Length Of The Fixture:

Note: Do not use the electric cord only, without Steel Cable (H) to support the weight of the lighting fixture.

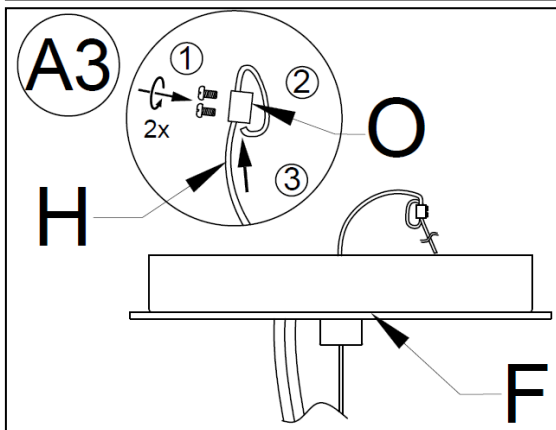
Note: The adjustment or shortening of the lighting fixture's suspension length is only needed if the factory set length is not appropriate for your installation. We recommend that you adjust the light fixture to the proper desired suspension length before cutting the electrical cord. Determine the lighting fixture suspension length from the ceiling for the product installations, allowing the extra cord length for the outlet junction box wire connections as noted below.



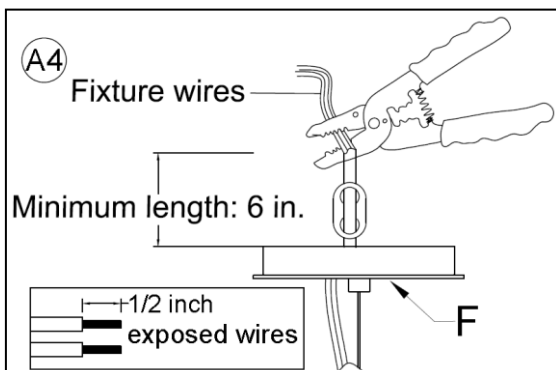
Separate the Mounting Plate (B) from Canopy (F) by removing the Canopy Screws (E). **Do not discard the Canopy Screws (E) as these will be used later.**



1. Loosen the two Screws from the Binding Collar (O) using the screwdriver by turning the screwdriver counter-clockwise.
2. Release the Steel Cable by removing the short end of the Steel Cable (H) from the Binding Collar (O) hole opening.
3. Slide the Binding Collar (O) along the cable length above the Canopy (F) to the new desired fixture suspension length.



1. While holding the Binding Collar (O) at the desired position, insert the short end of Steel Cable (H) back into the hole in the Binding Collar (O).
2. Rotate both Screws into the Binding Collar (O) clockwise into the Binding Collar (O) using screwdriver until tight.
3. If needed, cut off any remaining excess Steel Cable (H), so the cable and Binding Collar (O) can properly fit inside of the final assembled Canopy (F).

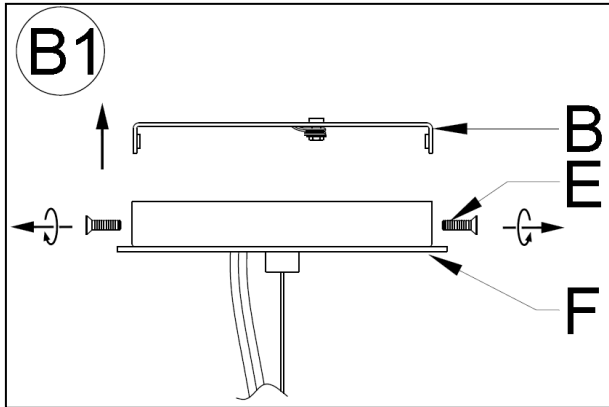


If needed, cut off the extra power cord length on the 3 wire cords so that they all are at least 6 inches (152.4 mm) long within the outlet junction box (J-box).

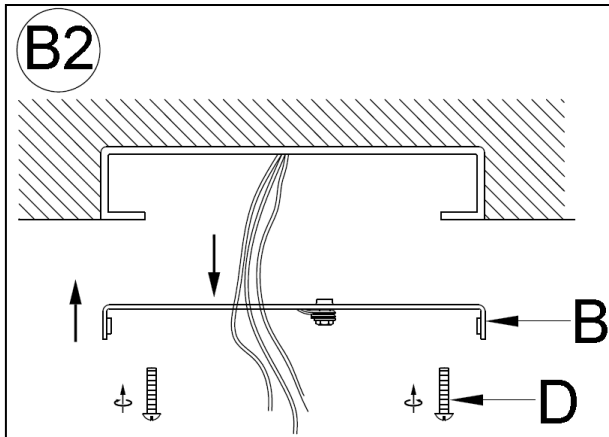
Mobile Chandelier - Large Assembly Instructions

Assembly & Installation Instructions:

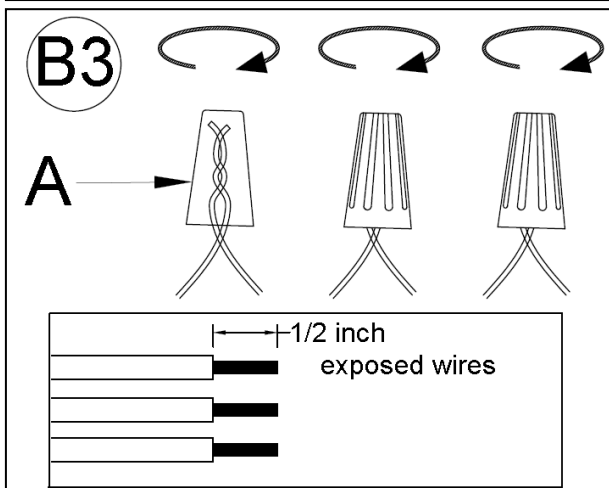
- SHUT OFF THE MAIN ELECTRICAL SUPPLY FROM THE MAIN FUSE BOX/CIRCUIT BREAKER.
- Carefully unpack all fixture parts and hardware and lay them on a clear workspace.



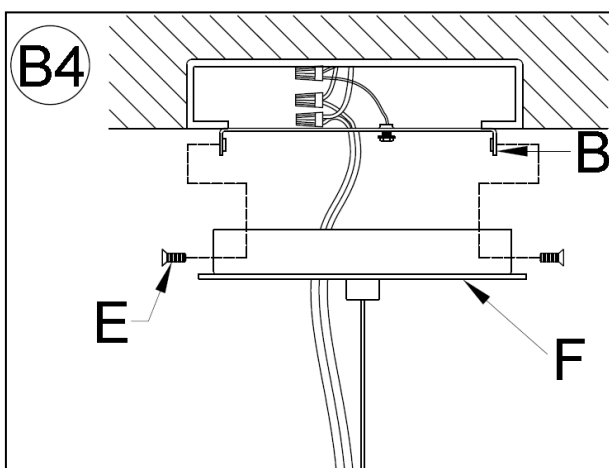
Separate the Mounting Plate (B) from Canopy (F) by removing the Canopy Screws (E). **Do not discard the Canopy Screws (E) as these will be used later.**



1. Insert the J-box wires through the center opening of the Mounting Plate (B)
2. Attach the Mounting Plate (B) to the outlet box using the 2 J-Box Mounting Screws (D). **Tighten each screw in a clockwise** until the Mounting Plate (B) is firmly secured to the J-Box.

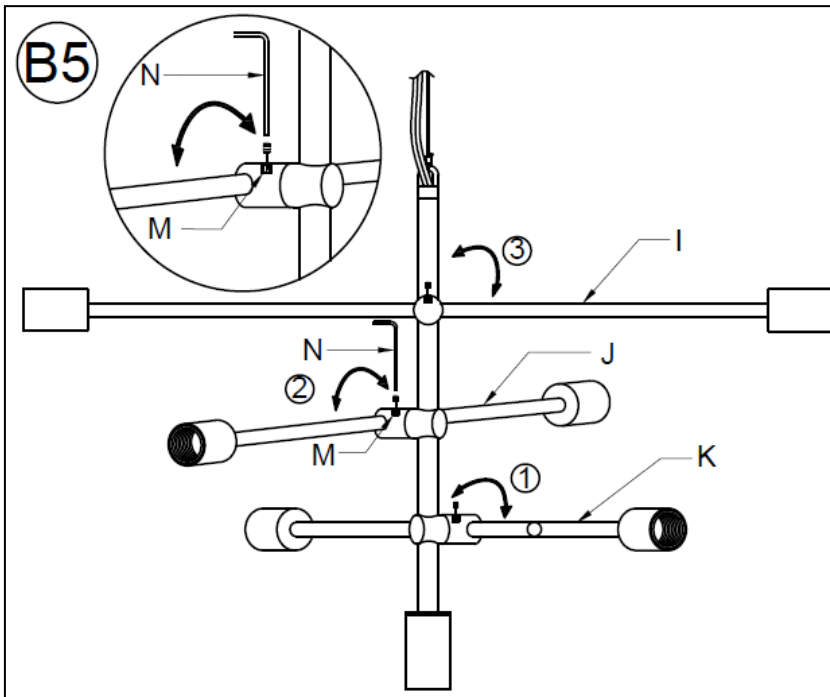


Please read the section "To Make the Wire Connections" Below.

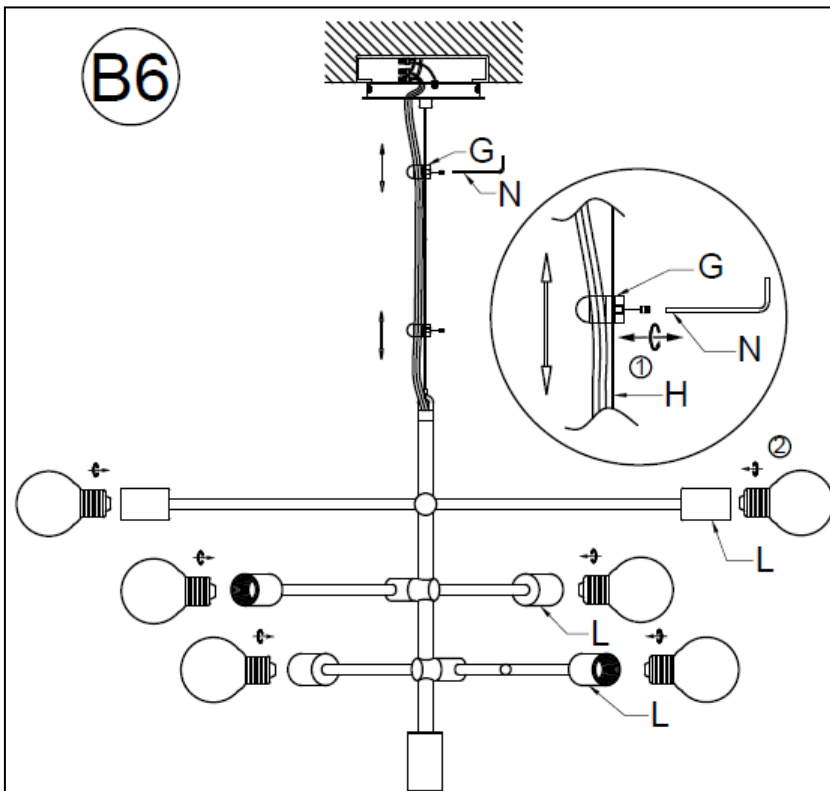


1. With the help of another person to hold the weight of the light fixture, position the Canopy (F) over the Mounting Plate (B), aligning the 2 holes on the Canopy (F) with the 2 holes from the Mounting Plate (B).
2. Insert the 2 Canopy Screws (E) and tighten to secure the Canopy (F) in place.

Mobile Chandelier - Large Assembly Instructions



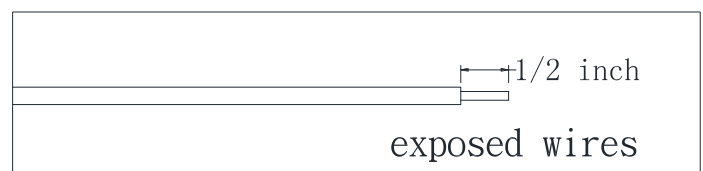
1. Loosen Allen Screw (M) located at the middle of the Lower Arm (K) and adjust the Lower Arm (K) to desired angle and tighten the Allen Screw (M) using the Allen Wrench (N).
2. Loosen Allen Screw (M) located at the middle of the Middle Arm (J) and adjust the Middle Arm (J) to desired angle and tighten the Allen Screw (M) using the Allen Wrench (N).
3. Loosen Allen Screw (M) located at the middle of the Upper Arm (I) and adjust the Upper Arm (I) to desired angle and tighten the Allen Screw (M) using the Allen Wrench (N).



1. If needed, loosen the set screws on the Cord Grips (G) and slide each Cord Grip (G) to desired location. Secure the set screws back to Cord Grips (G) until tight, and slide Power Cord to desired location.
2. Insert the specified light bulbs into the Sockets (L). DO NOT EXCEED THE SPECIFIED WATTAGE.

To Make the Wire Connections:

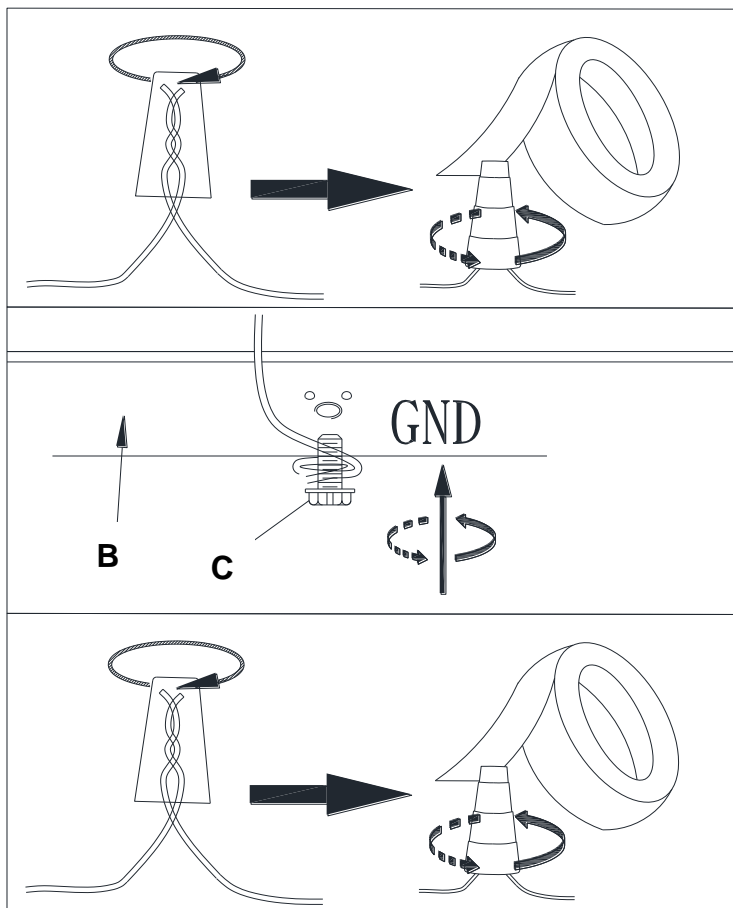
1. Gently pull existing wire down from the ceiling junction box and allow wires to hang. The HOT or LIVE wire is usually black. The NEUTRAL wire is usually white. Check to see if there is a ground wire that is usually green or green with a yellow stripe or exposed copper



metal wire. If needed, use a pair of wire strippers to remove about 1/2 inch of insulation from each wire.

Mobile Chandelier - Large Assembly Instructions

- Carefully inspect the fixtures wires. The NEUTRAL FIXTURE WIRE is White. The HOT FIXTURE WIRE is Black. And the GROUND WIRE is Green. If you have any doubt and cannot identify the power-supply wires with confidence, then we recommend that you ask an electrician and that you not continue with the installation.
- With the help of another person to hold the weight of the fixture, attach the fixture wires to the junction box wires as shown in the illustrations



Connect the GROUND FIXTURE WIRE to the GROUND J-BOX WIRE using the Plastic Wire Nut Connector (A) and wrap the connection with electrical tape. Be sure that no wire strands are exposed.

If the junction box DOES NOT have a GROUND WIRE, wrap the fixture's bare ground wire around the Green Ground Screw (C) and insert the screw into the Mounting Plate (B), marked as "GND", and tighten screw to secure the wire.

Connect the NEUTRAL FIXTURE WIRE to the NEUTRAL J-BOX WIRE first and then connect the HOT FIXTURE WIRE to the HOT J-BOX WIRE using the Plastic Wire Nut Connectors (A). Wrap these connections with electrical tape. Be sure that no wire strands are exposed.

NOTE:

**IT IS IMPERATIVE THAT THE JUNCTION BOX IN YOUR HOME BE PROPERLY GROUNDED!
DO NOT REVERSE THE HOT AND NEUTRAL CONNECTIONS OR SAFETY WILL BE COMPROMISED.**

- Check the wiring connections and if all looks good, gently tuck the wire connections neatly into the ceiling junction box.

Care instructions:

- Wipe clean with a soft, dry cloth or static duster.
- Always avoid the use of harsh chemicals or abrasive cleaners as they may cause damage to the fixture's finish.

Thank you for your purchase

Stores | catalog | www.westelm.com

USA 888-922-4119