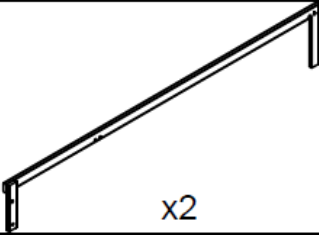
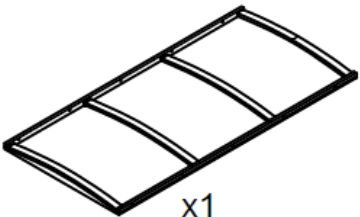
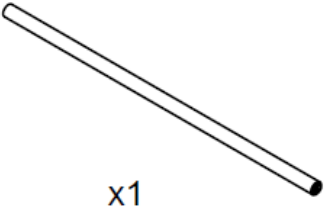
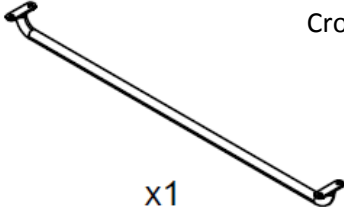
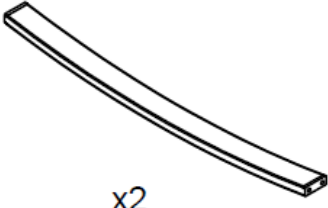
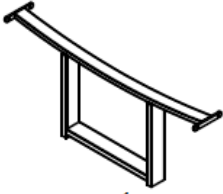
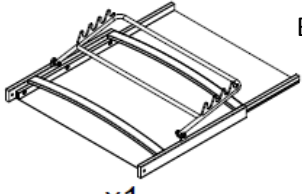



- ! Do not throw away packaging materials until assembly is complete.
- ! Assemble this item on a soft surface, such as cardboard or carpet, to protect finish.
- ! Proper assembly of this item requires 2 people.

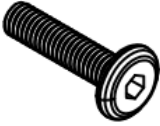
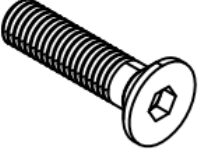

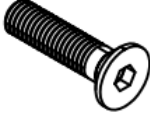

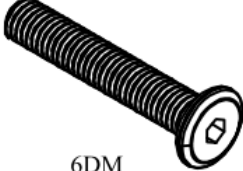


CARE INSTRUCTIONS

Hardware may loosen over time. Periodically check that all connections are tight. Wipe with a soft, dry cloth. To protect finish, avoid the use of chemicals and household cleaners. All hot serving dishes should be placed on a pad. Any liquid spilled onto the table should be cleaned up immediately with a damp cloth.

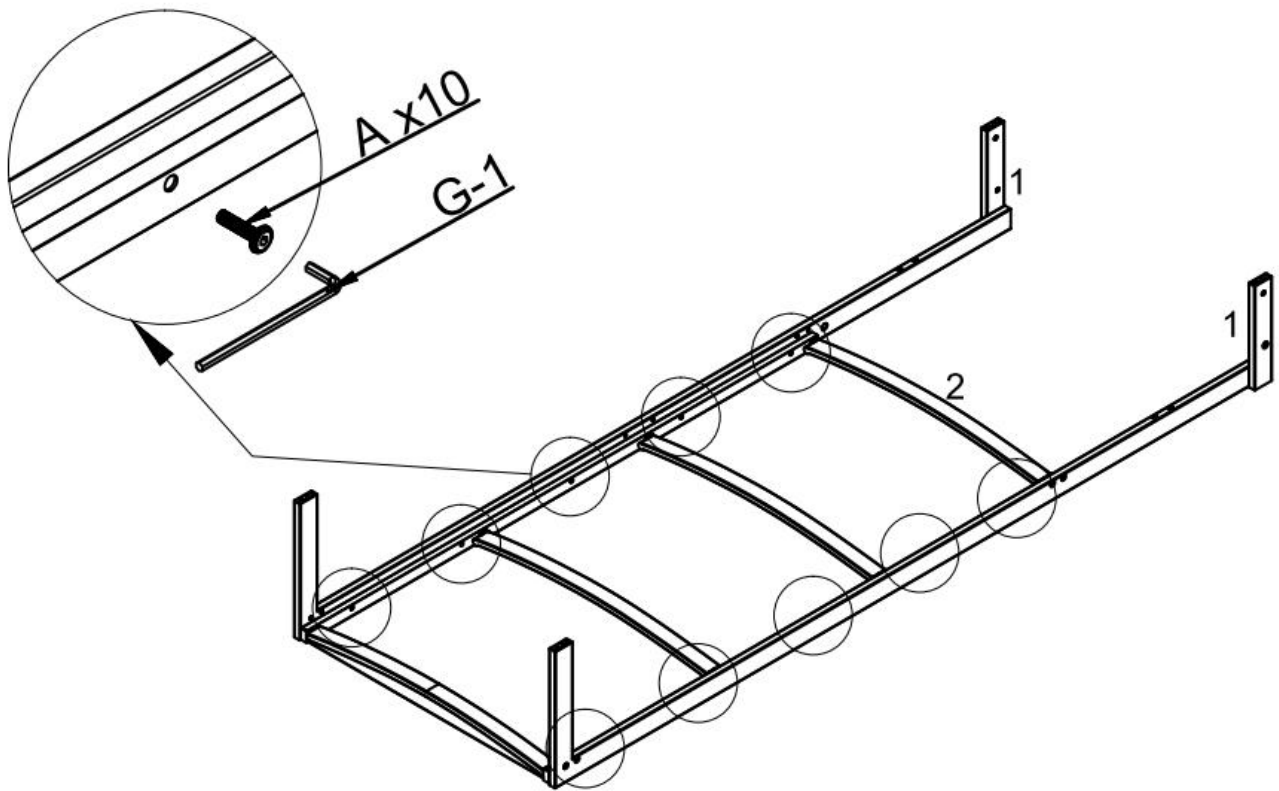
Parts

1  x2 Left & right Leg	2  x1 Sling frame
3  x1 Cross bar	4  x1 Cross bar
5  x2 Cross bar	6  x1 Center Leg
7  x1 Back rest Sling	8  x2 Wheel

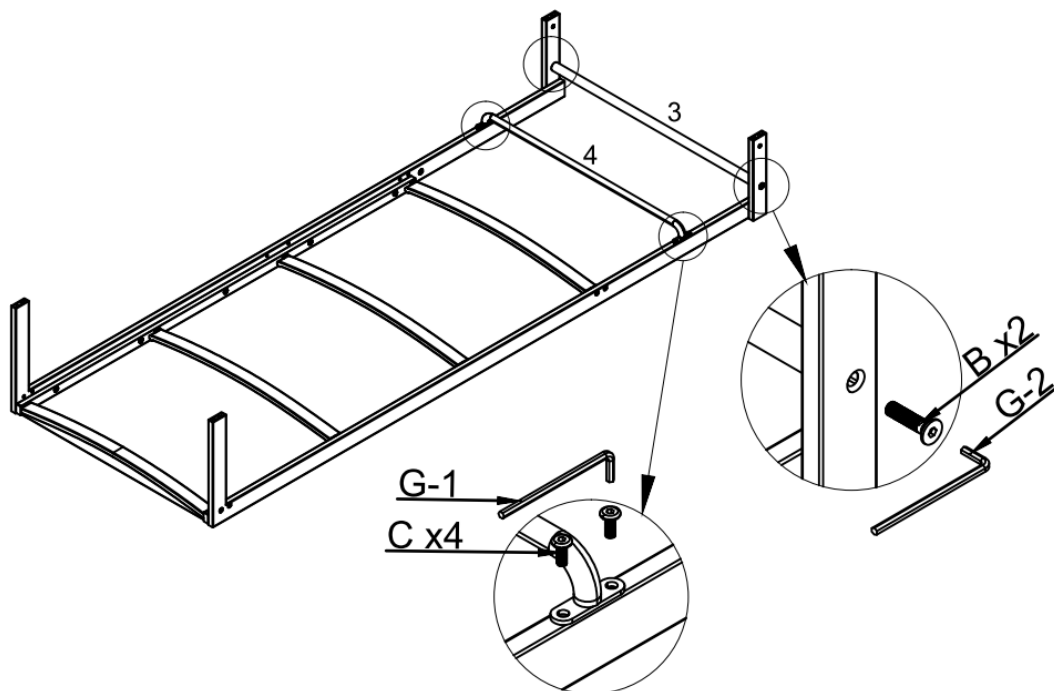
assembly instructions

<p>A</p>  <p>6DM 1/4"x1"x12</p>	<p>B</p>  <p>6AM 5/16"x1"x2</p>
<p>C</p>  <p>6DM 1/4"x5/8"x8</p>	<p>D</p>  <p>6AM 1/4"x1"x8</p>
<p>E</p>  <p>WOL Ø16xØ8.5x2Tx4</p>	<p>F</p>  <p>6DM 5/16"x1 5/8"x2</p>
<p>G-1</p>  <p>allen key Ø4</p>	<p>G-2</p>  <p>allen key Ø5</p>

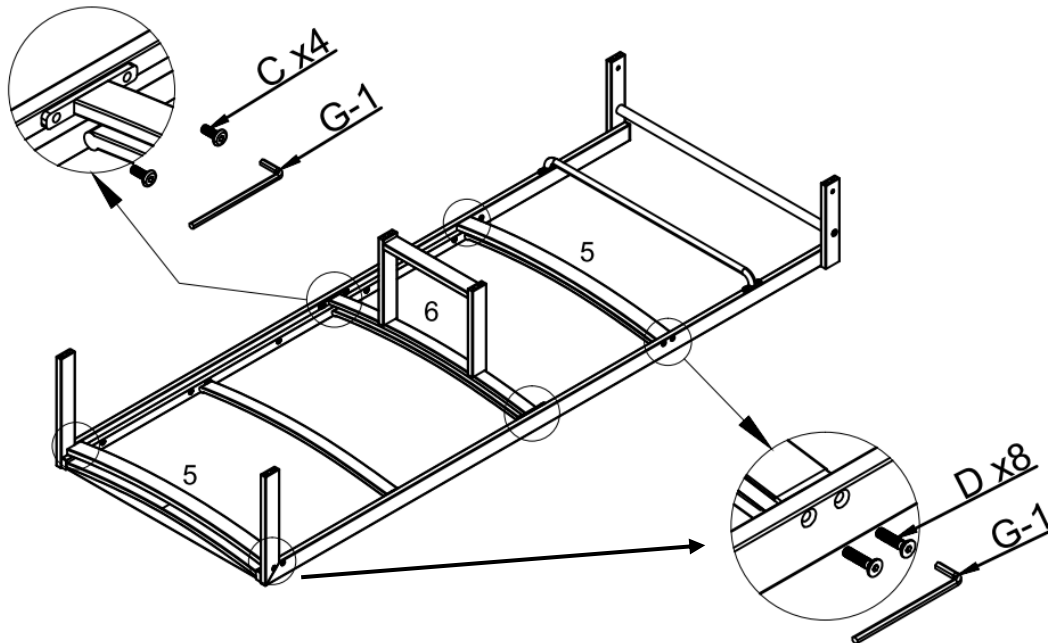
1. Use 10 bolts(A) to assemble legs(1) and sling frame(2) together as a main frame. Note: Do not fully tighten the bolts until directed



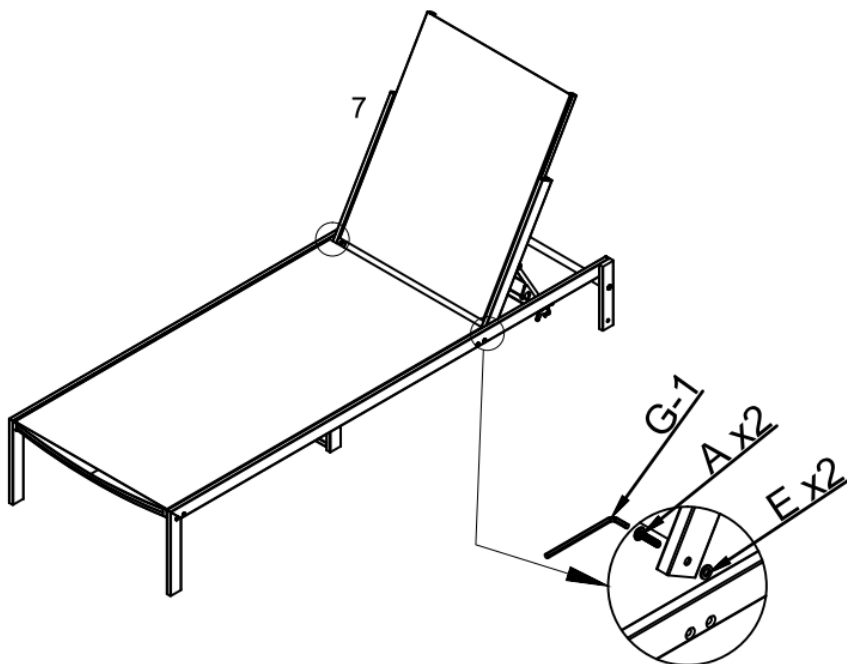
2. Use 2 bolts (B) and 4 bolts (C) to fasten cross bars(3 and 4) to the main frame.



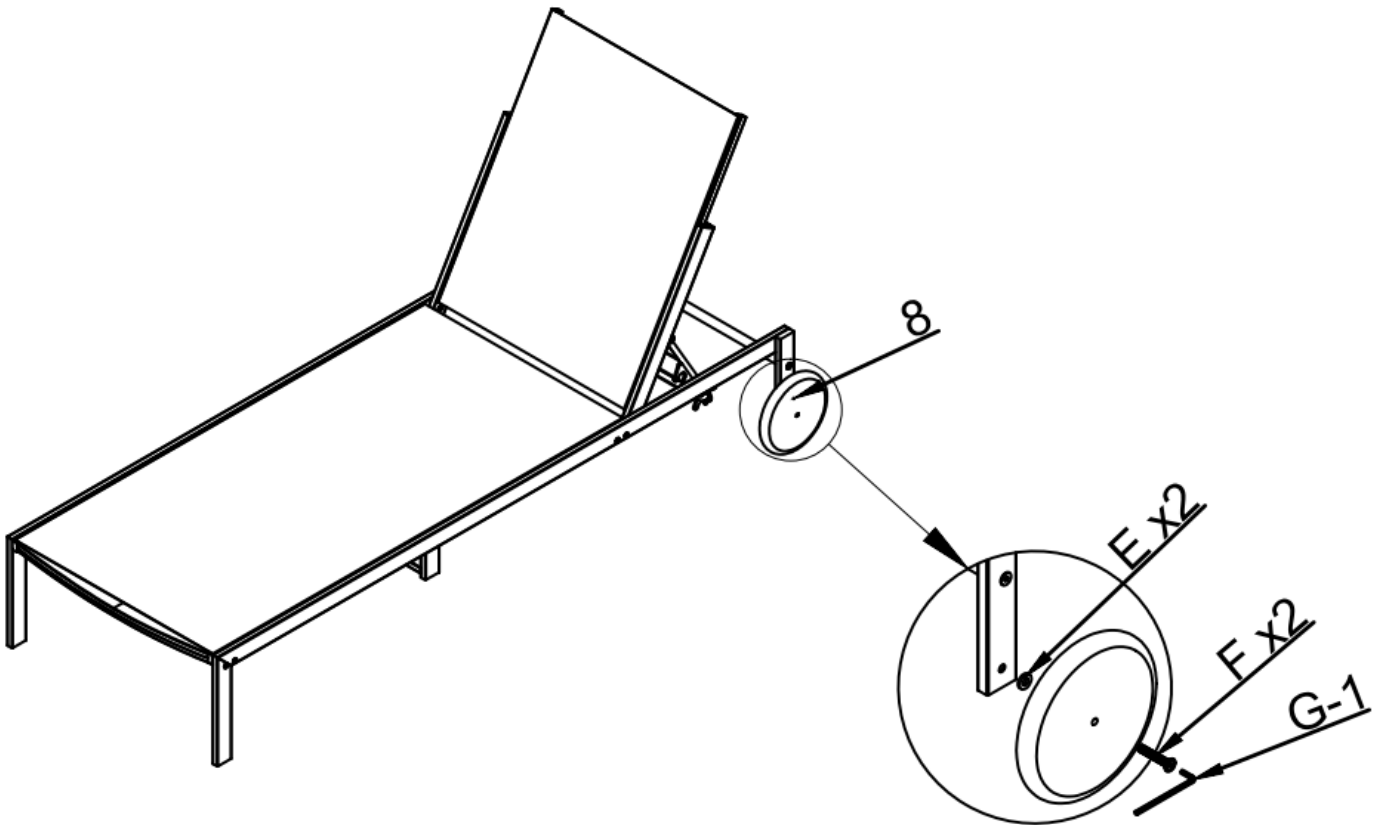
- Use 8 bolts(D) to fasten two cross bars(5) to the main frame. And, use 4 bolts(C) to fasten center legs(6) to the main frame.



- Turn the Barrow Chaise Lounger upright. Use 2 bolts(A) and 2 washers (E) to fasten the back rest sling(7) to the main frame.



5. Use 2 bolts(F) and 2 washers(E) to fasten two wheels(8) to chair legs. Assembly is done.



Note: Fully tighten all the bolts installed. Assembly now complete.