

Important Safety Instructions:

- These instructions are provided for your safety. It is important that they are read carefully and completely before assembling fixture.
- We strongly recommend that a professional electrician install all direct wire fixtures.
- This fixture has been rated for up to (3) 60-watt maximum TYPE A standard bulb (not included). To avoid the risk of fire, do not exceed the recommended wattage.

Warning:

- To reduce the risk of fire, electrical shock or personal injury, always turn off lamp and allow it to cool prior to replacing light bulb.
- Do not touch bulb when fixture is turned on. Do not look directly at lit bulb.
- Keep flammable materials away from lit bulb.

Pre-assembly:

- Remove all parts and hardware from box along with any plastic protective packaging.
- Do not discard any contents until after assembly is complete to avoid accidentally discarding small parts or hardware.
- For your safety and convenience, assembly by two people is recommended

Parts Enclosed:

- (1) Mounting plate (D)
- (1) Canopy (E)
- (2) Metal connector (G)
- (2) Pole (H)
- (2) Hook (J)
- (2) Metal ring (K)
- (2) Metal frame (L,M)
- (208) Glass links (N) , including (6) extra
- (3) Socket (O)
- (4) Metal nut(P)
- (4) Steel Wire (R)

Hardware Included:

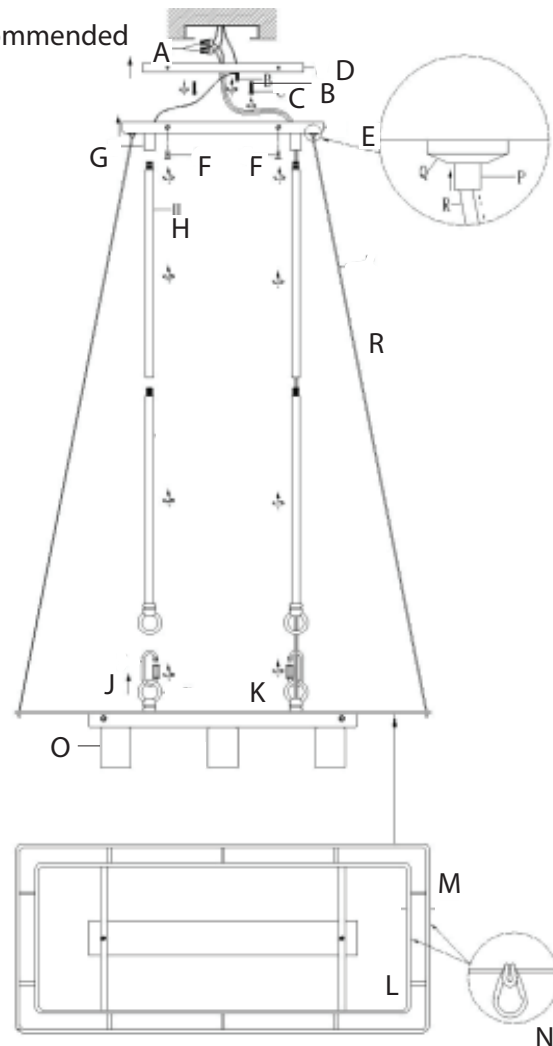
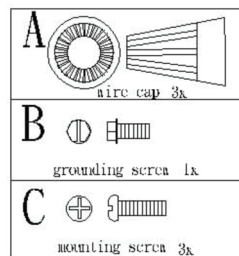
- (3) Plastic wire connectors (A)
- (1) Green ground screw (B)
- (2) Mounting screws (C)
- (2) Canopy screws (F)

To install you will need:

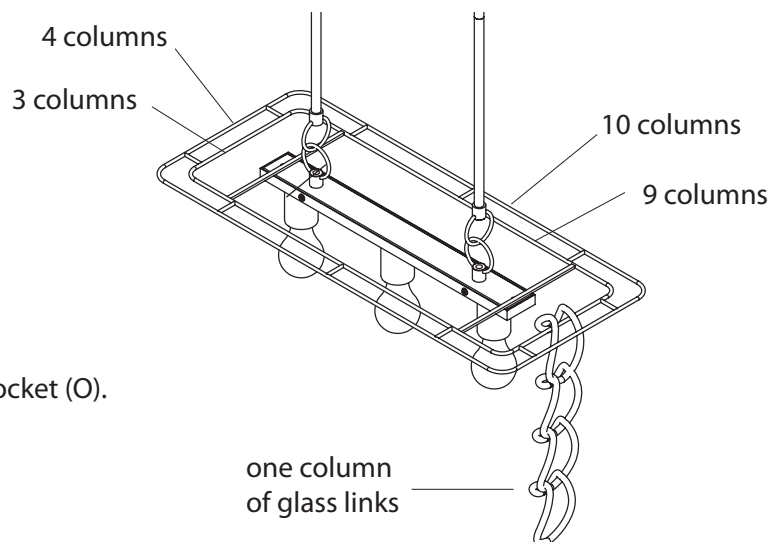
- Electrical tape
- Screwdriver

Assembly Instructions:

1. SHUT OFF THE MAIN ELECTRICAL SUPPLY FROM THE MAIN FUSE BOX/CIRCUIT BREAKER.
2. Carefully unpack all fixture parts and hardware and lay out on a clear workspace.
3. Screw the pole (H) into the metal connector (G).
4. Screw the pole (I) into the pole (H).
5. Hang the hook (J) onto the pole (I) and tighten the screw on the hook.



6. Carefully inspect the fixture wires. The NEUTRAL FIXTURE WIRE is white or marked "N". The HOT FIXTURE WIRE is black or marked "L". The yellow-green or bare wire is the GROUND WIRE.
7. Attach the GROUND WIRE from the fixture to the GROUND JUNCTION BOX WIRE from the outlet (usually green or bare wire). Fasten each together with a plastic wire connector (A) and wrap the connection with electrical tape. Be sure that no wire strands are exposed. If your outlet box DOES NOT have a GROUND WIRE, be sure to insert the green ground screw (B) into the mounting plate (D) facing DOWN, and wrap the fixture's bare ground wire around the ground screw. IT IS IMPERATIVE THAT THE OUTLET BOX IN YOUR HOME BE PROPERLY GROUNDED.
8. Connect the NEUTRAL FIXTURE WIRE to the NEUTRAL JUNCTION BOX WIRE (white). Fasten each together with a plastic wire connector (A) and wrap the connection with electrical tape. Be sure no wire strands are exposed.
9. Connect the HOT FIXTURE WIRE to the HOT JUNCTION BOX WIRE (black). Fasten each together with a plastic wire connector (A) and wrap the connection with electrical tape. Be sure no wire strands are exposed. DO NOT REVERSE THE HOT AND NEUTRAL CONNECTIONS OR SAFETY WILL BE COMPROMISED.
10. Gently tuck the wire connections neatly into the ceiling junction box.
11. Attach the mounting plate (E) to the ceiling outlet box using the enclosed mounting screws (C). Tighten screws with a screwdriver.
12. Pull canopy (E) up over the mounting plate (D), align the holes in the mounting plate with the holes in the canopy.
13. Insert canopy screws (F) and tighten with a screwdriver.
14. Press down the metal nut (P) and adjust the Steel Wire (R) Length
15. Hang glass links onto the metal frame starting with the inner frame (L) . The inner frame takes up to 24 columns of glass links. The outer frame takes up to 28 columns of glass links. Each column should take 4 pieces of glass.



Completing the assembly:

1. Insert 3 X Max 60 Watt (Type A) bulbs into the socket (O).
DO NOT EXCEED SPECIFIED WATTAGE.
2. Restore power to junction box and test fixture.

Care instructions:

- Clean with soft, dry cloth.
- Always avoid the use of harsh chemicals or abrasive cleaners as they may cause damage to the lamp.

WARNING:

- This lighting fixture contains lead, a chemical know to the State of California to cause cancer, birth defects and other reproductive harm. Wash hands after installing, handling, cleaning or otherwise touching this light fixture.