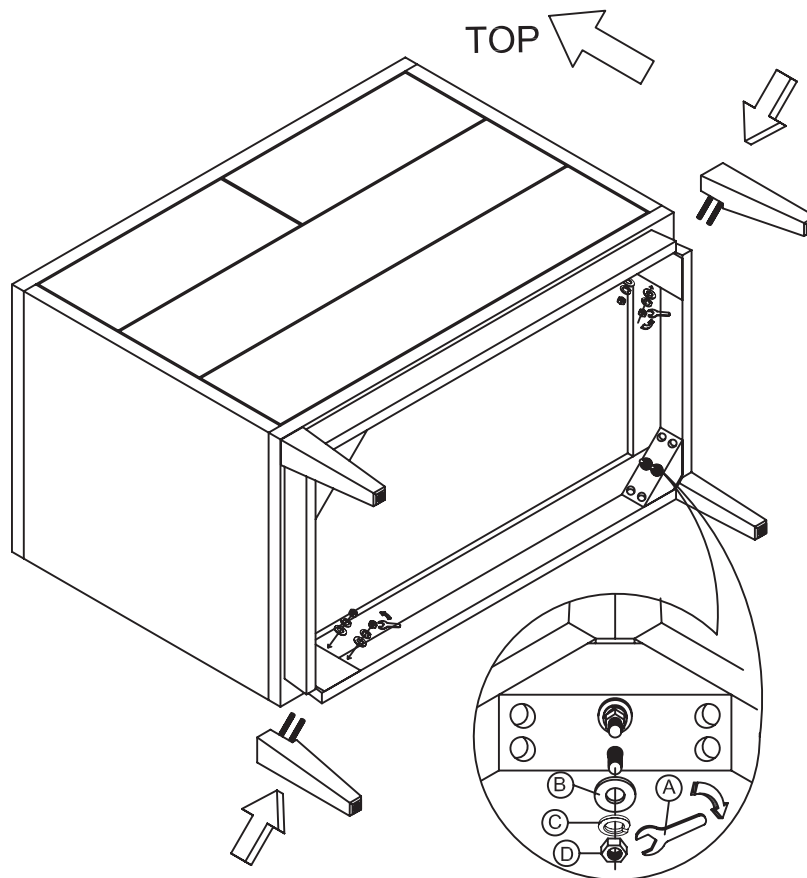



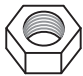


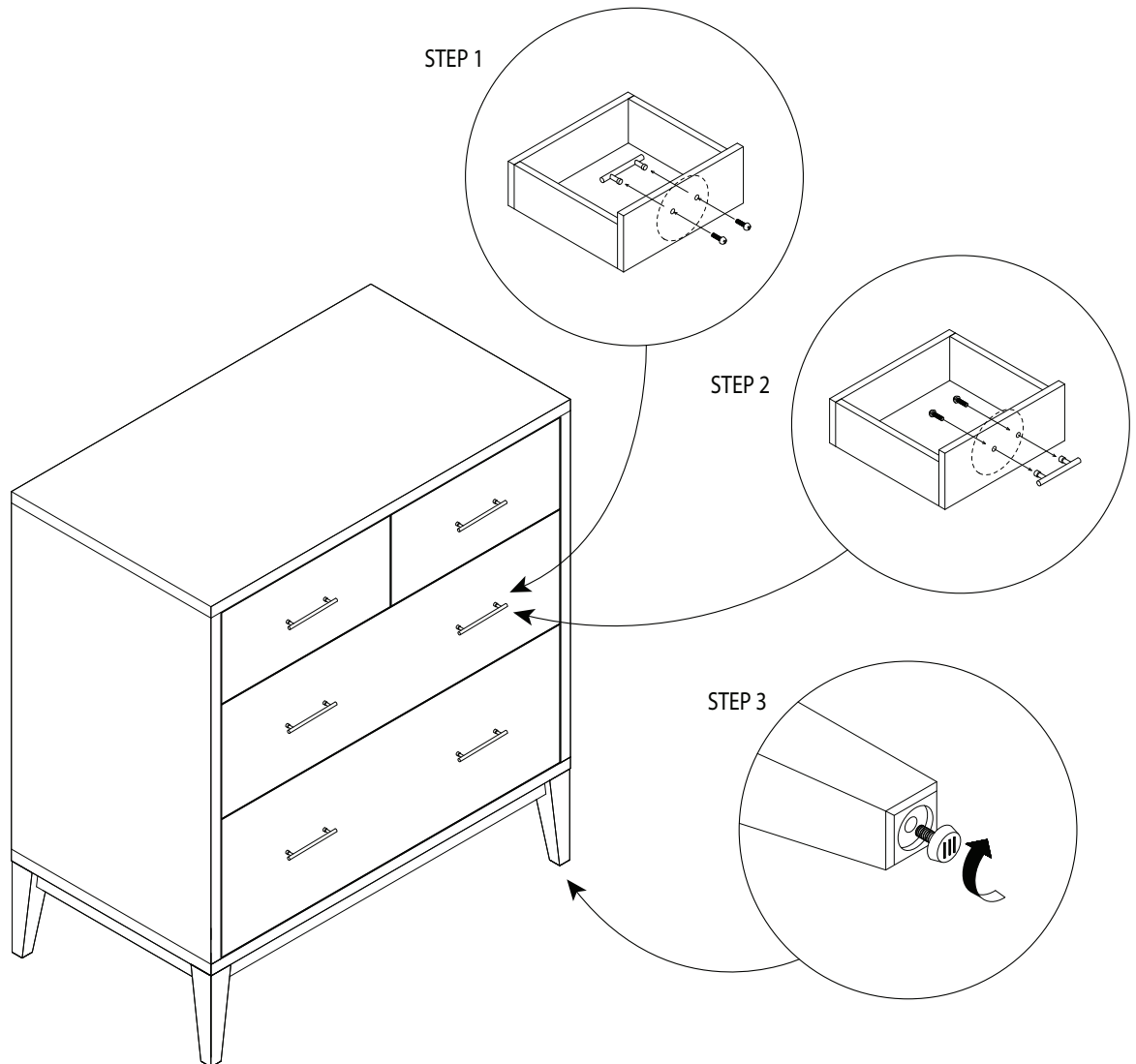
! Tools required: 

1. Place 4 Drawer Dresser on a soft, non-marring surface..
2. Attach Legs to Bottom Frame using Hex Nut (D), Spring Washer (C) and Flat Washer (B) as illustrated.



 A Wrench 13 1x	 B Flat Washer M6 x 13 8x	 C Spring Washer M6 x 13 8x	 D Hex Nut M8 8x
---	---	--	--

3. Pull out drawer and unscrew hardware using a phillips screwdriver.
4. Position hardware on the outside of the drawer and re-attach. Tighten screws using a phillips screwdriver.
5. Adjust levelers as needed to prevent tipping.



CARE INSTRUCTIONS

Hardware may loosen over time. Periodically check that all connections are tight.
Wipe with a soft, dry cloth. To protect finish, avoid the use of chemicals and household cleaners.

OVER BALANCE To prevent injury and property damage from unexpected tipping of furniture, we highly recommend installation of the two (2) sets of overbalance protection hardware included with this product.

1. Attach the two mounting brackets horizontally to the top back edge of the furniture. Insert the short screws through the holes in the bracket and tighten securely using screwdriver.
2. Determine where the furniture is to be placed and mark location on the wall for the other two mounting bracket screw holes. It should be placed approximately 2" below the bracket mounted to the furniture.
3. Attach the two mounting brackets vertically to the wall by inserting the long screws provided through the holes in the bracket and tightening securely using screwdriver.
4. Place the furniture so the brackets on the back edge are in line with the brackets on the wall.
5. Lace an end of the nylon restraint strap down through each bracket. Bring both ends together and slide the thin end of the strap through the receiving end of the strap until snug.
6. Check to make sure the strap is securely laced and locked to the brackets.
7. Repeat steps 5 and 6 for the second bracket set.

