

Fabric Geo Shade Pendant - Large (Hardwire)

CAUTION:

Assembly Instructions

- **BEFORE INSTALLING FIXTURE, MAKE SURE THE POWER TO THE CIRCUIT IS TURNED OFF AT THE MAIN FUSE BOX / CIRCUIT BREAKER UTILITY BOX.**
- The optional conversion kit (#9187857) is intended for use with the West Elm GEO Fabric Shade Pendant (#4084145, #7403026, #3507442). Follow the assembly and installation instructions below, if you wish to hardwire GEO Fabric Shade Pendant instead of plugging it into a wall electrical outlet, installing the fixture using the optional West Elm conversion kit (#9187857).
- The optional conversion kit (#3067121) is intended for use with the West Elm GEO Fabric Shade Pendant ((#4084145, #7403026, #3507442)). Follow the assembly and installation instructions below, if you wish to hardwire the GEO Fabric Shade Pendant instead of plugging it into a wall electrical outlet, installing the fixture using the optional West Elm conversion kit (#3067121).
- The optional conversion kit (#1206189) is intended for use with the West Elm GEO Fabric Shade Pendant ((#4084145, #7403026, #3507442)). Follow the assembly and installation instructions below, if you wish to hardwire the GEO Fabric Shade Pendant instead of plugging it into a wall electrical outlet, installing the fixture using the optional West Elm conversion kit (#1206189).

Important Safety Instructions:

- These instructions are provided for your safety. It is very important that they are read carefully and completely before beginning the assembly and installation of this lighting fixture.
- We strongly recommend that a professional electrician install all direct wire fixtures.
- **THIS PRODUCT MUST BE INSTALLED IN ACCORDANCE WITH THE APPLICABLE INSTALLATION CODES BY A PERSON FAMILIAR WITH THE CONSTRUCTION AND OPERATION OF THE PRODUCT AND THE HAZARDS INVOLVED.**
- The lighting fixture is meant for indoor use. It must be connected only to 3-wire, single-phase electrical supply systems (provided with Ground wire or equivalent protection system).
- For your safety, it is strongly recommended that two people install the lighting fixture.
- Light bulb should be centered inside the pendant shade. Make sure it does not touch the shade sides.
- This fixture has been rated for up to one (1) **60-Watt maximum TYPE A standard incandescent light bulb** (not included) or one (1) **13-watt compact fluorescent light bulbs** (not included) or one (1) **9-watt SBLED LAMP** (included). To avoid the risk of fire, do not exceed the recommended lamp wattage.
- The lighting fixture is meant for indoor use, **DRY LOCATIONS ONLY.**
- **Save these instructions.**

WARNING:

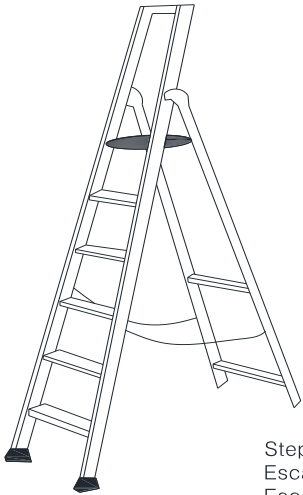
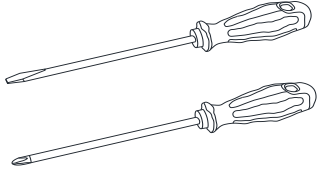
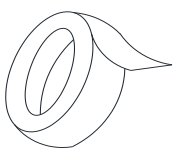
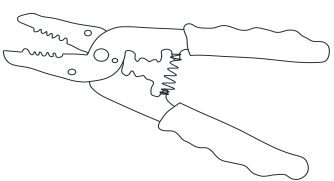
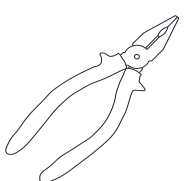
- **To reduce the risk of fire, electrical shock or personal injury, always turn off light fixture and allow it to cool prior to replacing light bulb.**

- Do not touch bulb when fixture is turned on. Do not look directly at lit bulb.
- Keep flammable materials away from lit bulb.
- This lighting fixture contains lead, a chemical known to the State of California to cause cancer, birth defects and other reproductive harm. Wash hands after installing, handling, cleaning or otherwise touching this light fixture.

Pre-assembly:

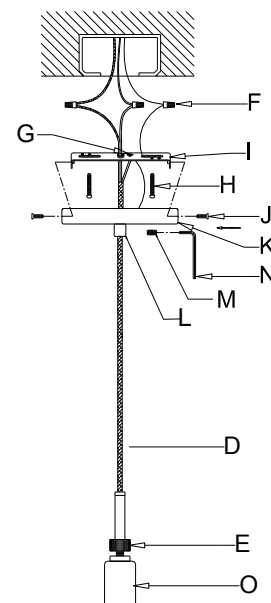
- Remove all parts and hardware from box along with any plastic protective packaging.
- Do not discard any contents until after assembly is complete to avoid accidentally discarding small parts or hardware.
- For your safety and convenience, assembly by two people is recommended.

TOOLS REQUIRED (not included):

 <p>Step Ladder Escabeau Escalera</p>	 <p>Phillips Head, Flat Blade Screwdrivers Tournevis à tête Phillips et à tête plate Destornilladores Cabeza Phillips y Destornilladores Cabeza Plana</p>	 <p>Electrical tape Ruban isolant Cinta Electrica.</p>
	 <p>Wire Cutter/Stripper Pince coupe-fil/ à dénudé Cortador de Cable</p>	 <p>Plier Pince Alicates</p>

Parts Included:

- (D) Cord (1)
- (E) Knurled Ring (1)
- (O) Socket (1)
- (P) Bulb (1)
- (Q) Shade (1)
- (R) Horseshoe Ring (1)



(N) Allen Wrench (1) (not included)

Hardware Enclosed with optional conversion kit(not included):

(F) Plastic Wire Nut Connectors (3) (not included)

(G) Green Ground Screw (1) (not included)

(H) Mounting Screws (2) (not included)

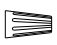
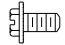


(I) Mounting Plate (1) (not included)

(J) Canopy Screws (2) (not included)

(K) Canopy (1) (not included)

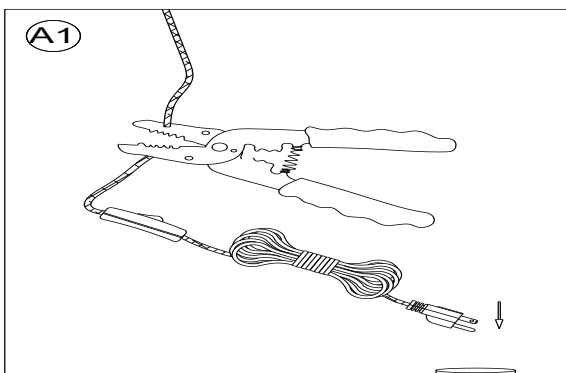
(L) Threaded Collar (1) (not included)

(M) Allen Screw (1) (not included)

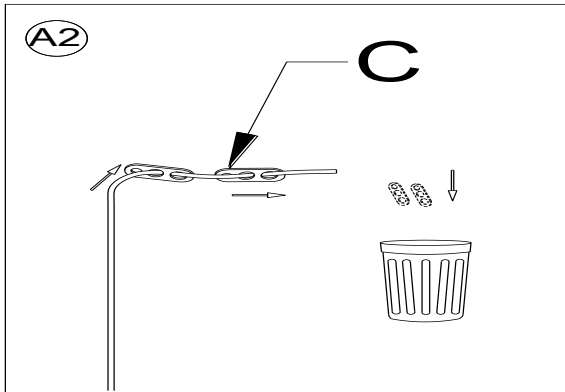
F  3x	G  1x
H  2x	N  1x

To Adjust the Suspension Length of the Fixture:

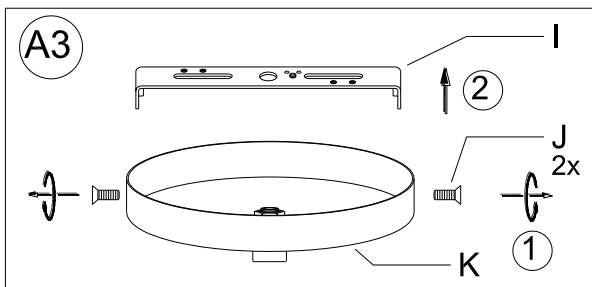
- **NOTE:** The power cord will need to be cut for hardwire installation, eliminating the plug and switch. Make sure when cutting the cord, to cut the cord allowing enough additional length so that it is at least 6 inches (152.4 mm) long, through the Canopy, within the ceiling outlet junction box (J-box).
- Determine the lighting fixture suspension length from the ceiling for the product installation, allow the extra cord length for the outlet junction box wire connections as noted above.



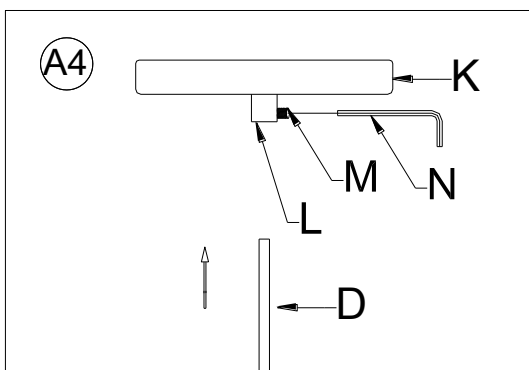
1. Cut off the entire plug and switch section from the electrical power cord on the Pendant at the determined fixture suspension length. Discard the plug and switch section.



- Remove Plastic Clips (C) from cord as they are no longer needed.

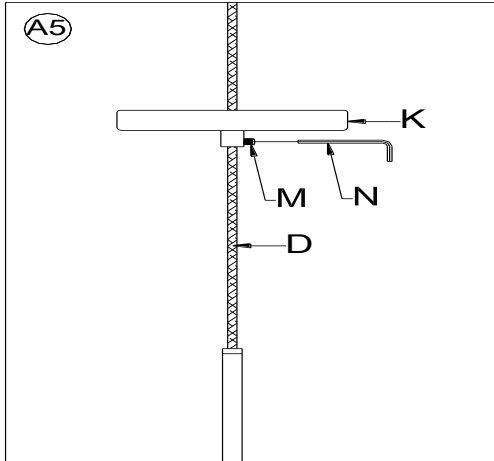


- Separate the Mounting Plate (I) (not included) from the Canopy (K) (not included) by removing the 2 Canopy Screws (J) (not included). Do not discard the Canopy Screws (J) (not included) as these will be used later.

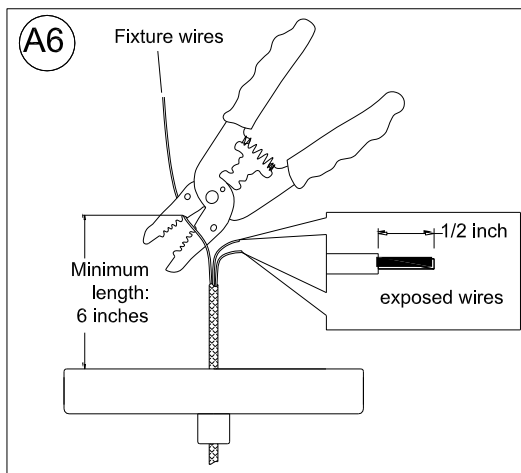


- Unscrew Allen Screw (M) (not included) from Threaded Collar (L) (not included) by Allen Wrench (N) (not included) in an anticlockwise direction. Insert the electrical Cord (D) (not included) into the Canopy (K) (not included) center opening.

Note: Make sure that the decorative covering fibers on the cord do not protrude through the Canopy opening.

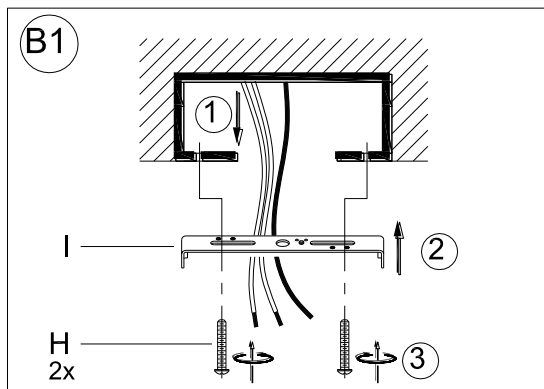


5. Insert Allen Screw (M) (not included) into the Threaded Collar (L) (not included) by Allen Wrench (N) (not included) and turning it in a clockwise direction until tight.

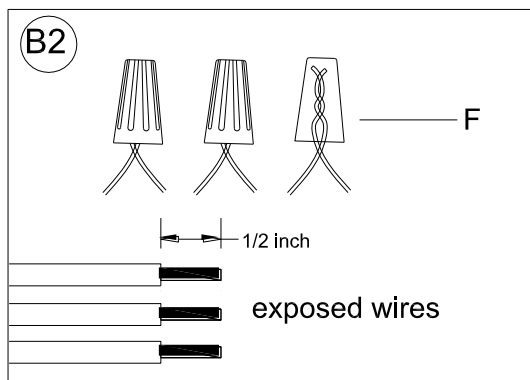


6. If needed, cut off the extra power cord length on the 3 wire cords so that they all are at least 6 inches (152.4 mm) long within the outlet junction box (J-box).

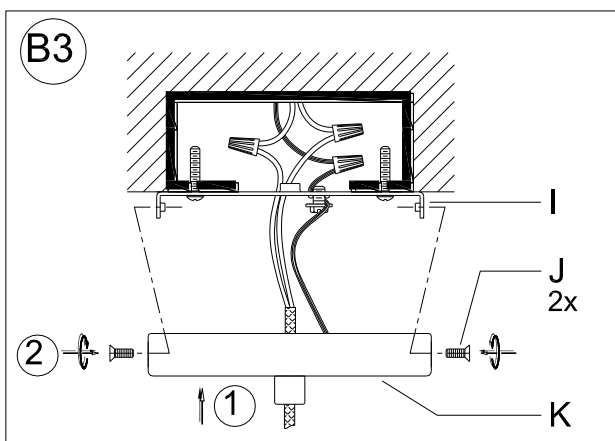
- **SHUT OFF THE MAIN ELECTRICAL SUPPLY FROM THE MAIN FUSE BOX/CIRCUIT BREAKER.**
- Carefully unpack all fixture parts and hardware and lay them on a clear workspace.



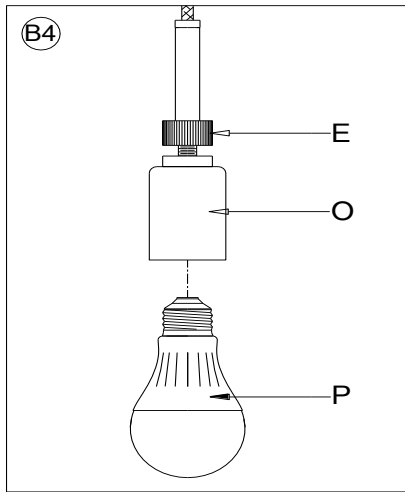
1. Gently pull existing wire down from the ceiling junction box and allow wires to hang. Attach Mounting Plate (I) (not included) to the ceiling outlet box, aligning the slots of the Mounting Plate (I) (not included) with the two threaded holes located on the J-Box. Insert and tighten 2 Mounting Screws (H) (not included) with a screwdriver.



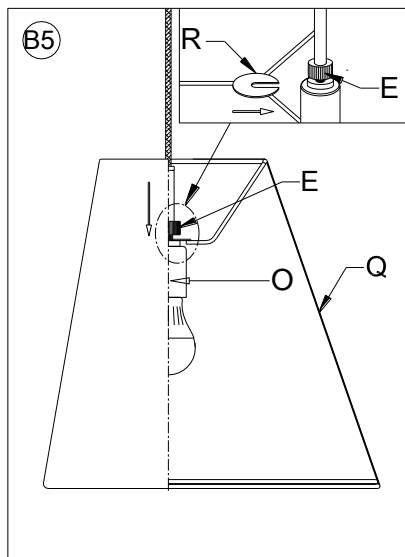
2. Please read the section “To Make the Wire Connections” Below.



3. Raise Canopy (K) (not included) up over the Mounting Plate (I)(not included), align the holes in the Mounting Plate (I)(not included) with the holes on the side of the Canopy (K)(not included). Insert the 2 Canopy Screws (J) (not included) and tighten with a screwdriver.



4. Unscrew the Knurled Nut (E) on the Socket (O).
Insert the specified light bulbs into the Sockets (O).
DO NOT EXCEED THE SPECIFIED WATTAGE.

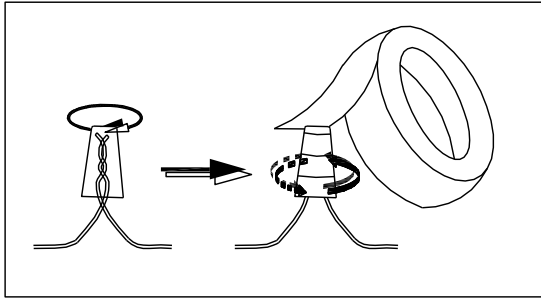


5. Position the Shade (Q) over the Sockets (O) by sliding the Horseshoe Ring (R) of Shade (Q) onto the top of the Socket (O) as diagram, Secure the shade (Q) to the Socket (O) by turning the Knurled Nut (E) by clockwise until tight.

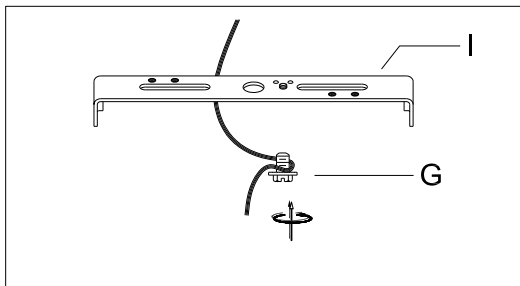
To Make the Wire Connections:

1. Gently pull existing wire down from the ceiling junction box and allow wires to hang. The HOT or LIVE wire is usually black. The NEUTRAL wire is usually white. Check to see if there is a ground wire that is usually green or green with a yellow stripe or exposed copper metal wire. If need, use a pair of wire strippers to remove about 1/2 inch of insulation from each wire.
2. Carefully inspect the pendant's fixture wires. The NEUTRAL FIXTURE WIRE is White. The HOT FIXTURE WIRE is Black. And the GROUND WIRE is Green. If you have any doubt and cannot identify the power-supply wires with confidence, then we recommend that you ask an electrician and that you not continue with the installation.

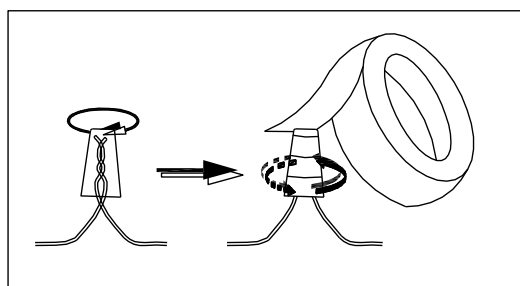
3. With the help of another person to hold the weight of the fixture, attach the fixture wires to the junction box wires as shown in the illustration.



Connect the GROUND FIXTURE WIRE to the GROUND J-BOX WIRE using the Plastic Wire Nut Connector (F) and wrap the connection with electrical tape. Be sure that no wire strands are exposed.



If the junction box DOES NOT have a GROUND WIRE, wrap the fixture's bare ground wire around the Green Ground Screw (G) and insert the screw into the Mounting Plate (I), marked as "GND", and tighten screw to secure the wire.



Connect the NEUTRAL FIXTURE WIRE to the NEUTRAL J-BOX WIRE first and then connect the HOT FIXTURE WIRE to the HOT J-BOX WIRE using the Plastic Wire Nut Connectors (F). Wrap these connections with electrical tape. Be sure that no wire strands are exposed.

NOTE:

IT IS IMPERATIVE THAT THE JUNCTION BOX IN YOUR HOME BE PROPERLY GROUNDED!

DO NOT REVERSE THE HOT AND NEUTRAL CONNECTIONS OR SAFETY WILL BE COMPROMISED.

4. Check the wiring connections and if all looks good, gently tuck the wire connections neatly into the ceiling junction box.

Care instructions:

- Wipe clean with a soft, dry cloth or static duster.
- Always avoid the use of harsh chemicals or abrasive cleaners as they may cause damage to the fixture's finish.

Thank you for your purchase

Stores | catalog | www.westelm.com

USA 888-922-4119