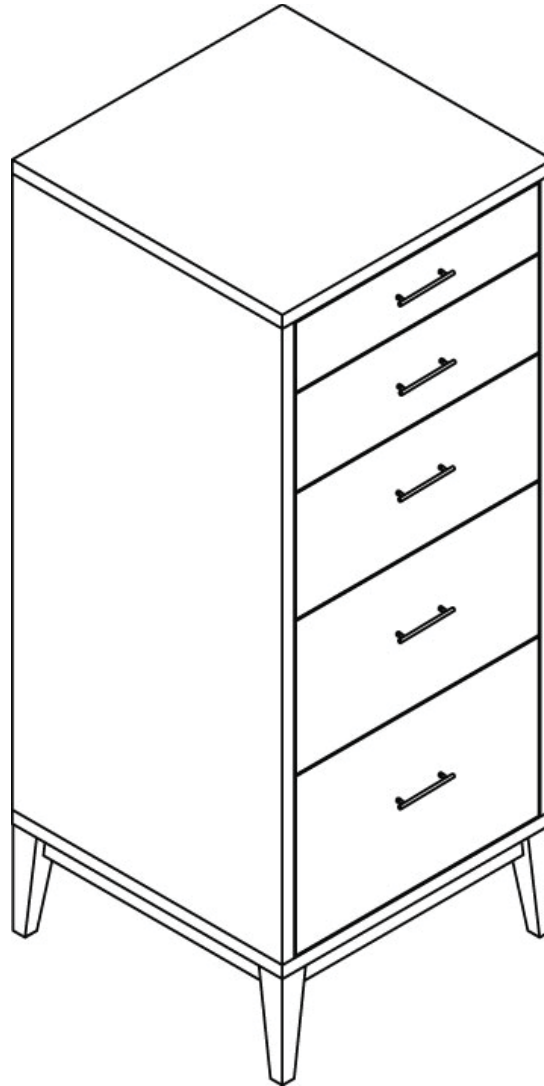


west elm

narrow leg 5 drawer dresser

assembly instructions

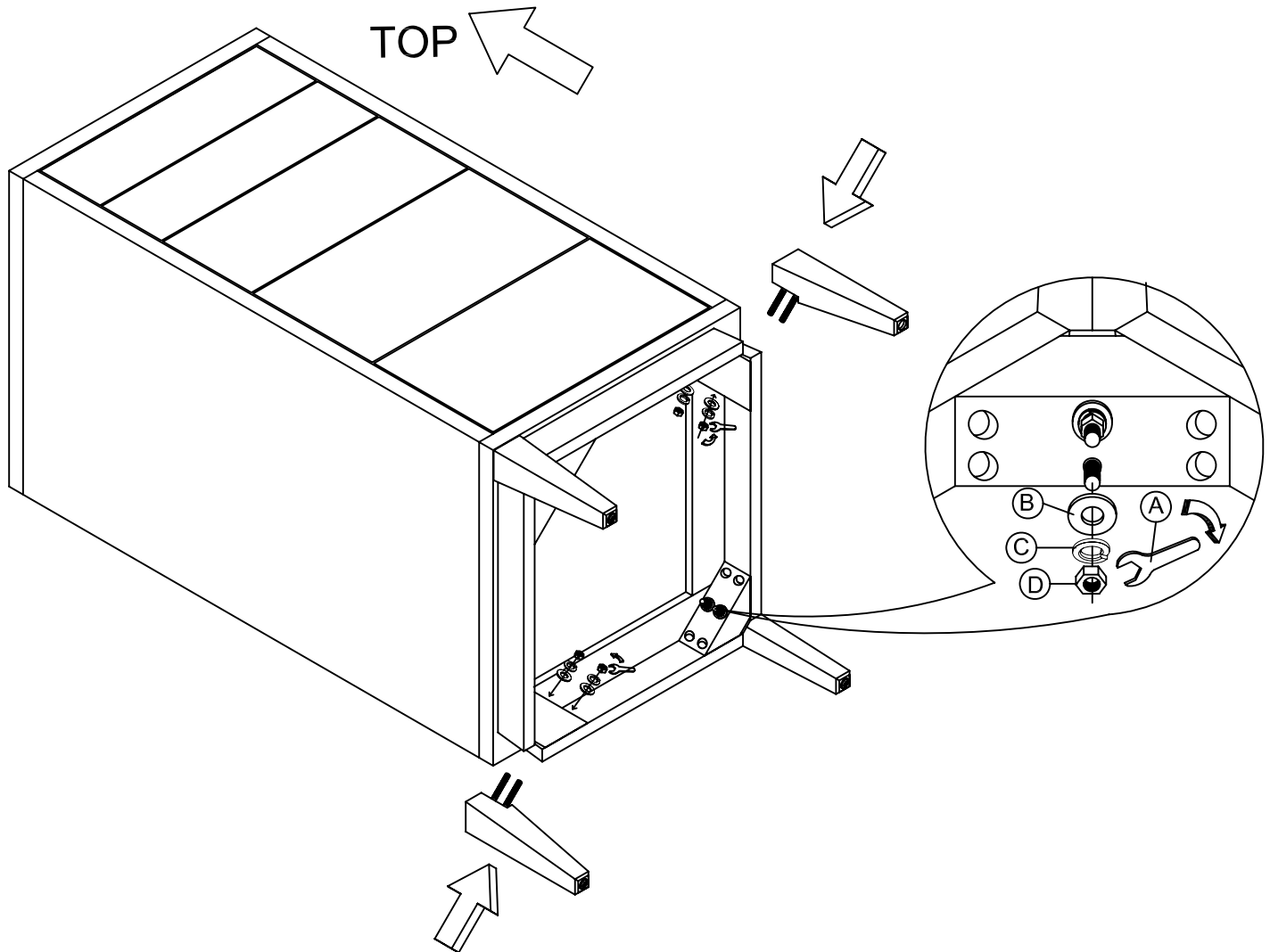




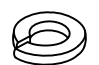
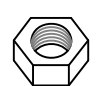
! Tools required: 

! Do not throw away packaging materials until assembly is complete.

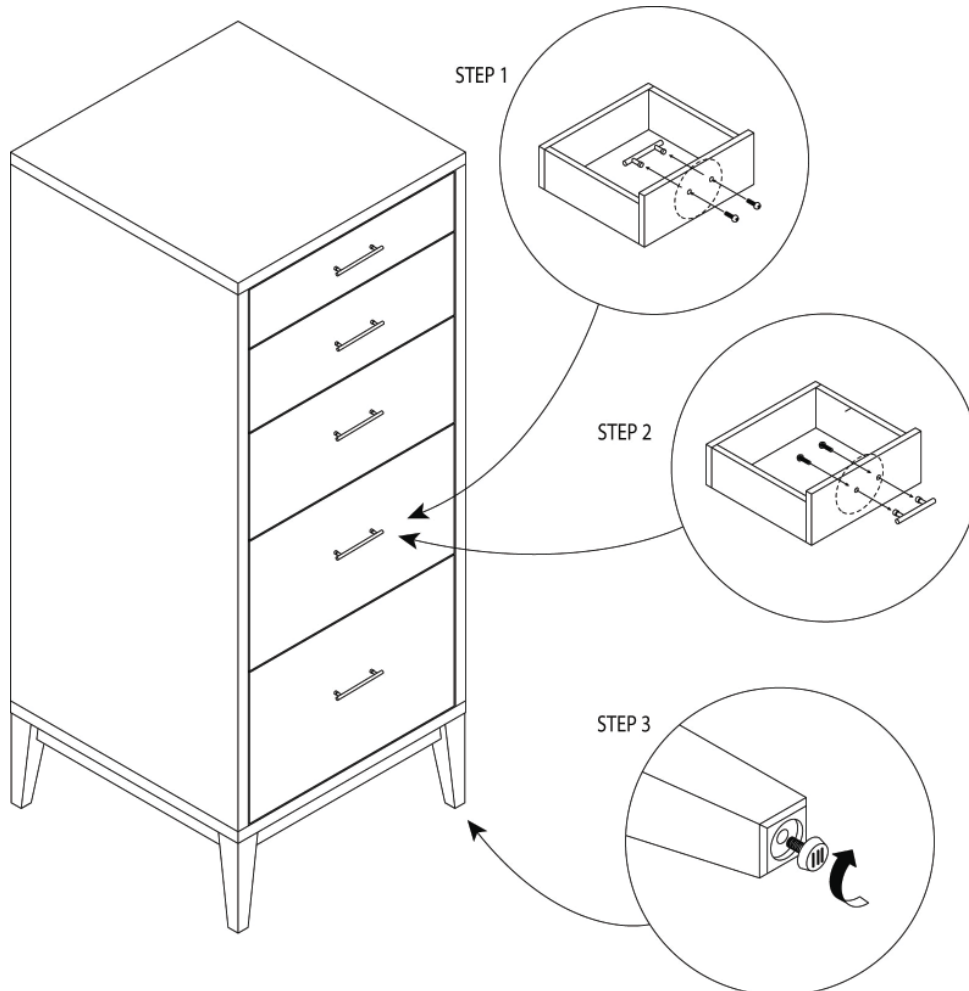
! Assemble this item on a soft surface, such as cardboard or carpet, to protect finish.

1. Place 5 Drawer Dresser on a soft, non-marring surface.
2. Attach Legs to Bottom Frame using Hex Nut (D), Spring Washer (C) and Flat Washer (B) as illustrated.



 <p>A Wrench 13 1x</p>	 <p>B Flat Washer M6 x 13 8x</p>	 <p>C Spring Washer M6 x 13 8x</p>	 <p>D Hex Nut M8 8x</p>
---	---	--	--

3. Pull top drawer out and using a phillips head screwdriver unscrew the drawer hardware. Repeat for all drawers
4. Flip the hardware around to the front of the drawer, insert the screws from the back of the drawer front and tighten with the phillips head screwdriver. Repeat for all drawers.



5. Once the dresser is in place you may need to adjust the feet to accommodate uneven flooring or carpet.

CARE INSTRUCTIONS

Hardware may loosen overtime. Periodically check that all connections are tight.

Wipe with a soft, dry cloth. To protect finish, avoid the use of chemicals and household cleaners.

OVER BALANCE . To prevent injury and property damage from unexpected tipping of furniture, we highly recommend installation of the overbalance protection hardware included with this product

1. Attach the mounting bracket horizontally to the top back edge of the furniture. Insert the short screws through the holes in the bracket and tighten securely using screwdriver.
2. Determine where the furniture is to be placed and mark location on the wall for the other mounting bracket screw holes. It should be placed approximately 2" below the bracket mounted to the furniture.
3. Attach the mounting bracket vertically to the wall by inserting the long screws provided through the holes in the bracket and tightening securely using screwdriver.
4. Place the furniture so the bracket on the back edge is in line with the bracket on the wall.
5. Lace an end of the nylon restraint strap down through each bracket. Bring both ends together and slide the thin end of the strap through the receiving end of the strap until snug.
6. Check to make sure the strap is securely laced and locked to the brackets.

