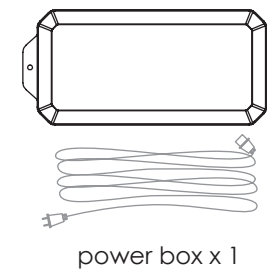
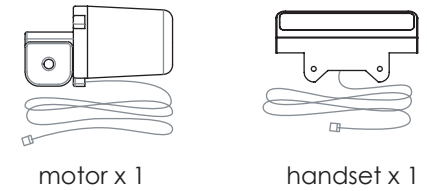
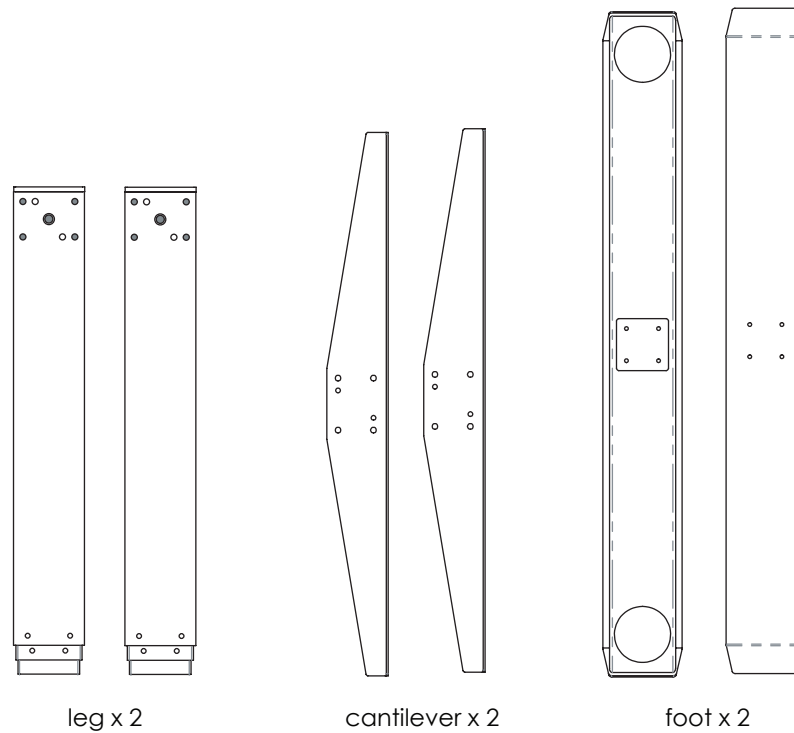
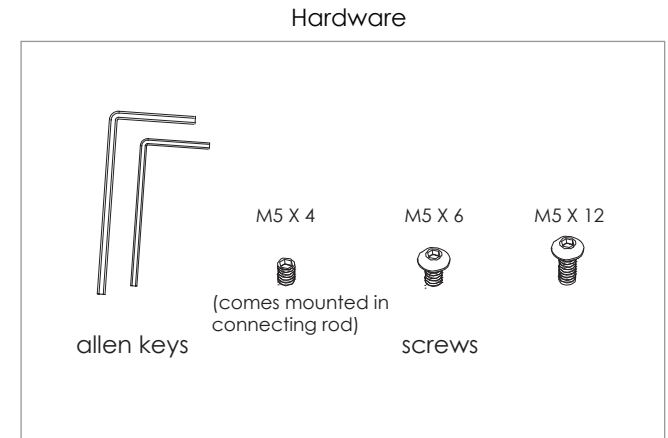
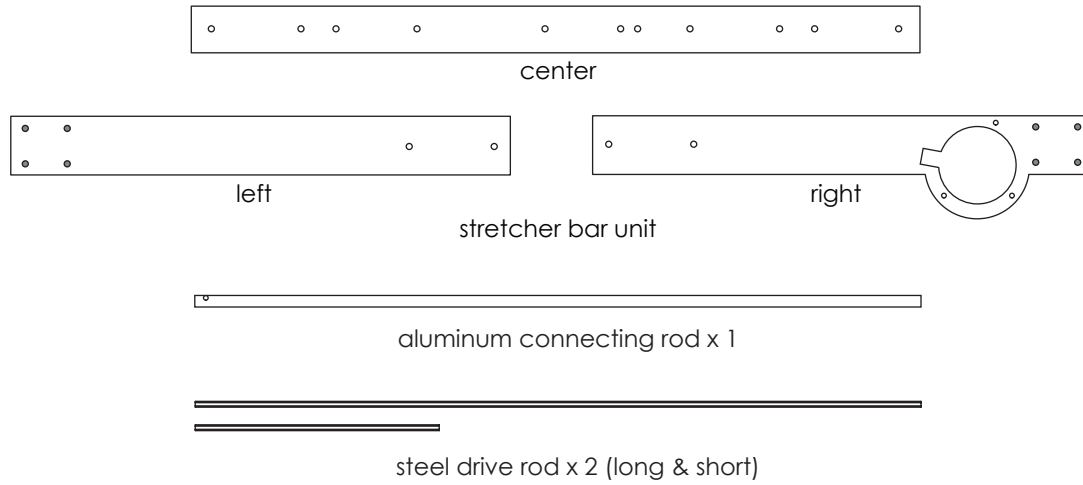


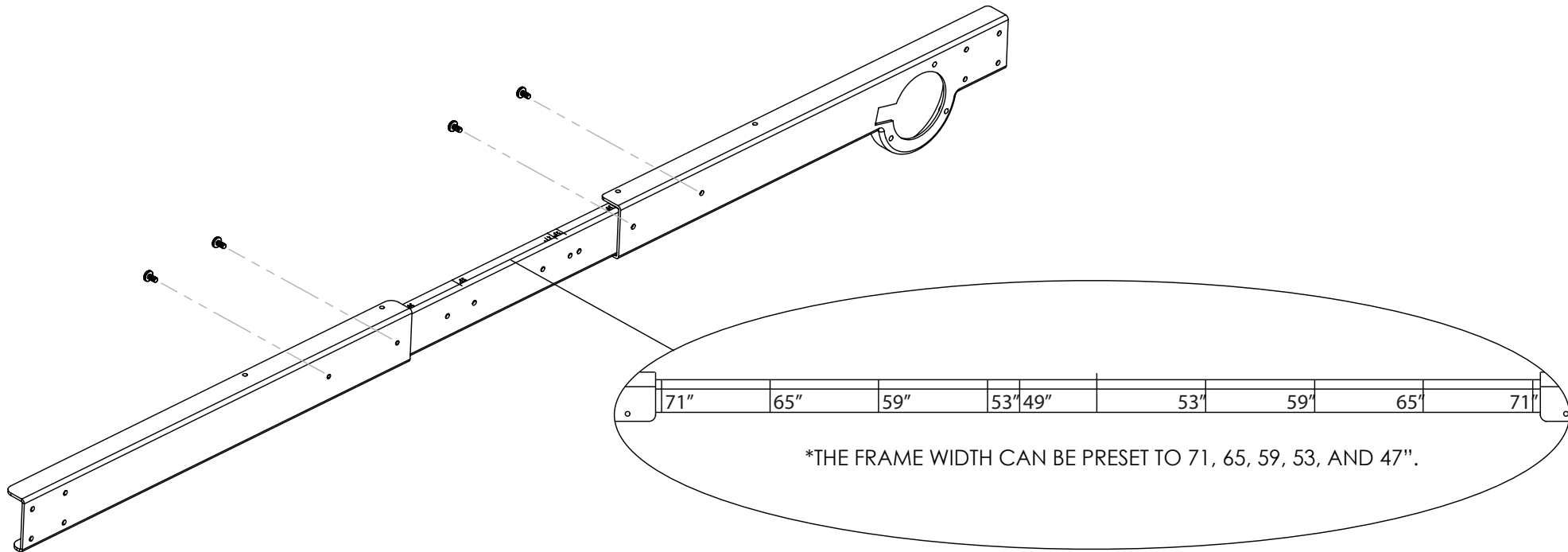
installation guide

ACTIV-1
sit-to-stand desks

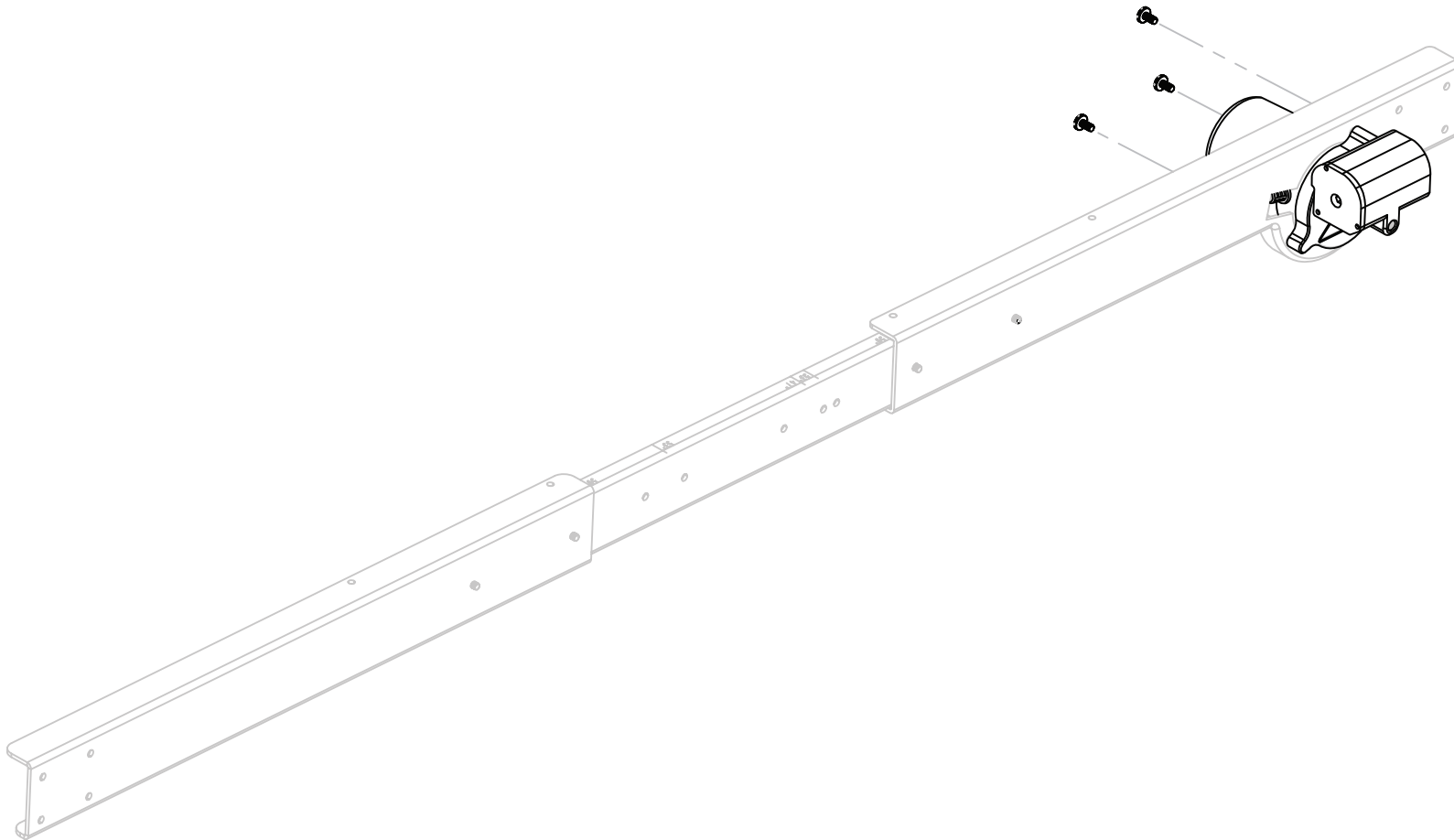




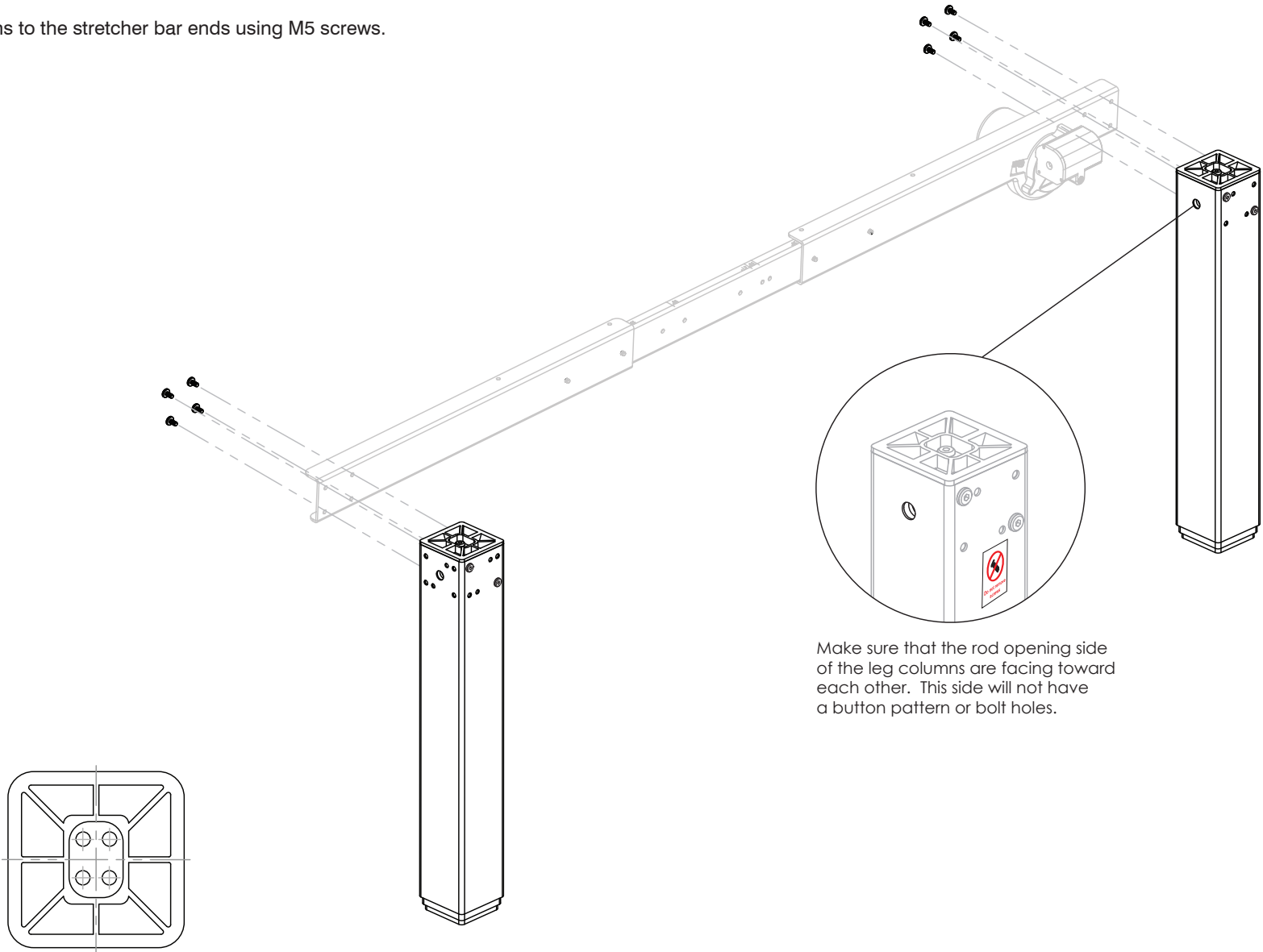
- 1 Assemble center, left and right stretcher bar
- 2 Preset stretcher bar to desired length and tighten with six M5 screws.



- 1 Mount motor unit on stretcher bar using three M5 screws.

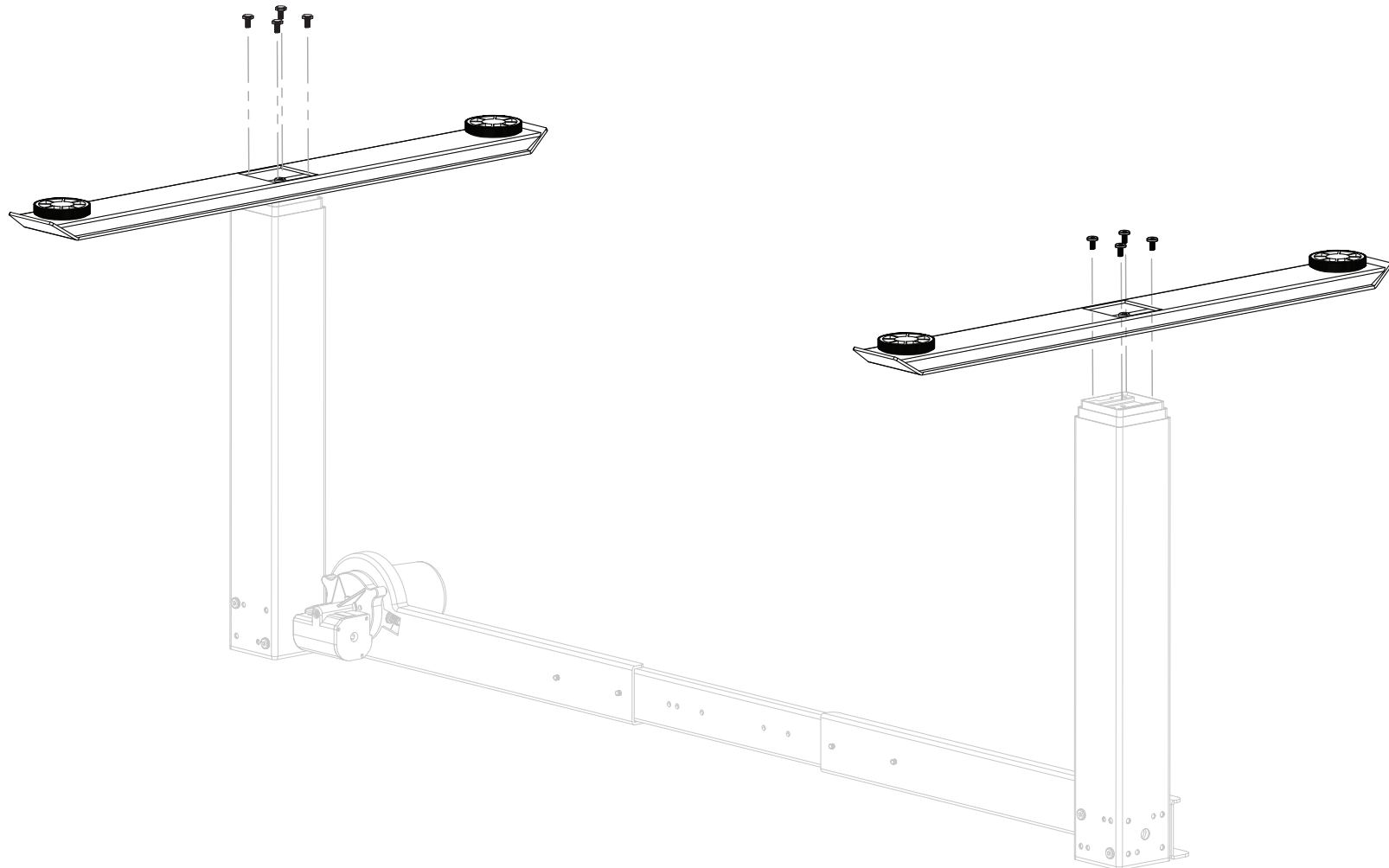


- 1 Attach both leg columns to the stretcher bar ends using M5 screws.

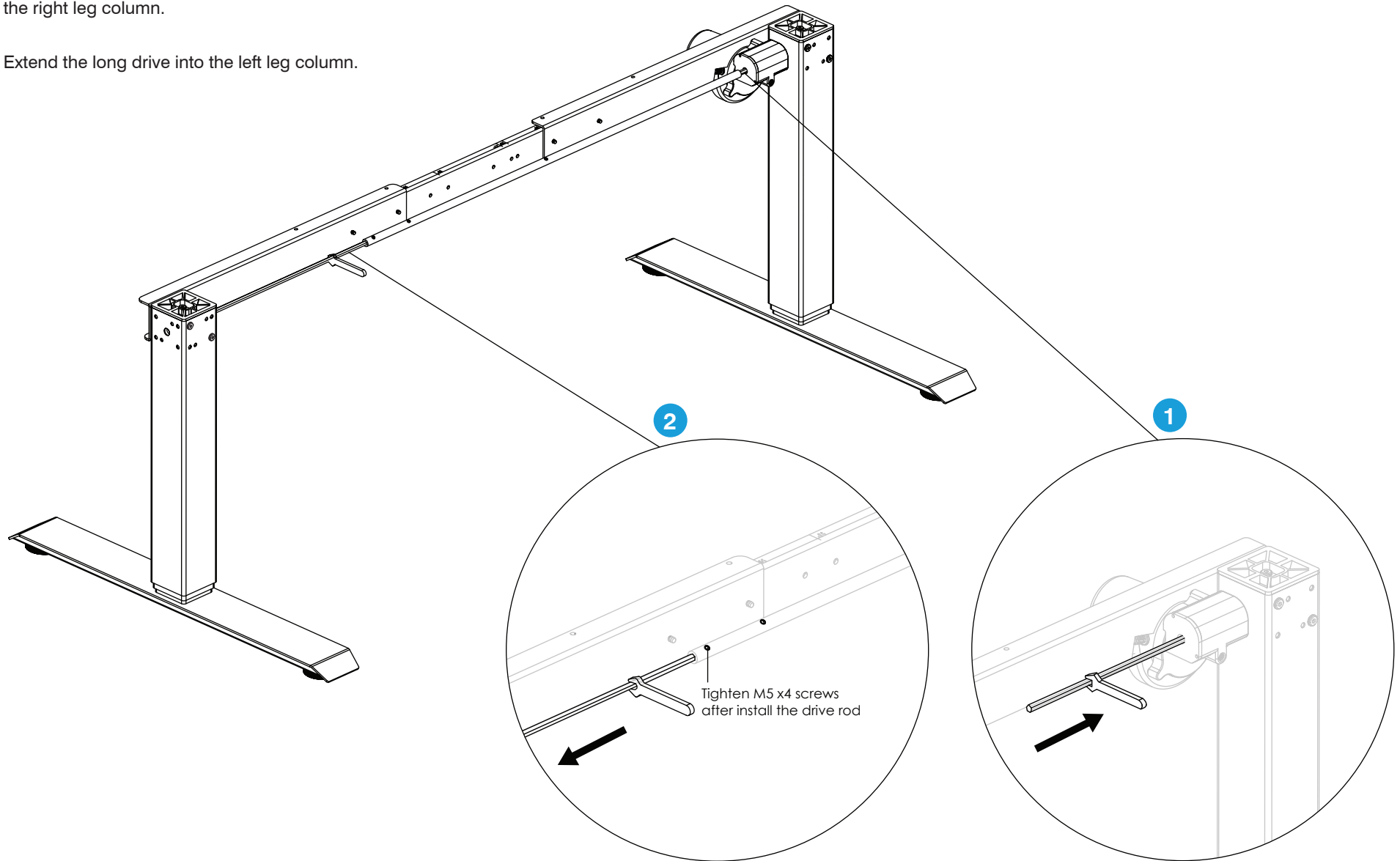


Make sure that the rod opening side of the leg columns are facing toward each other. This side will not have a button pattern or bolt holes.

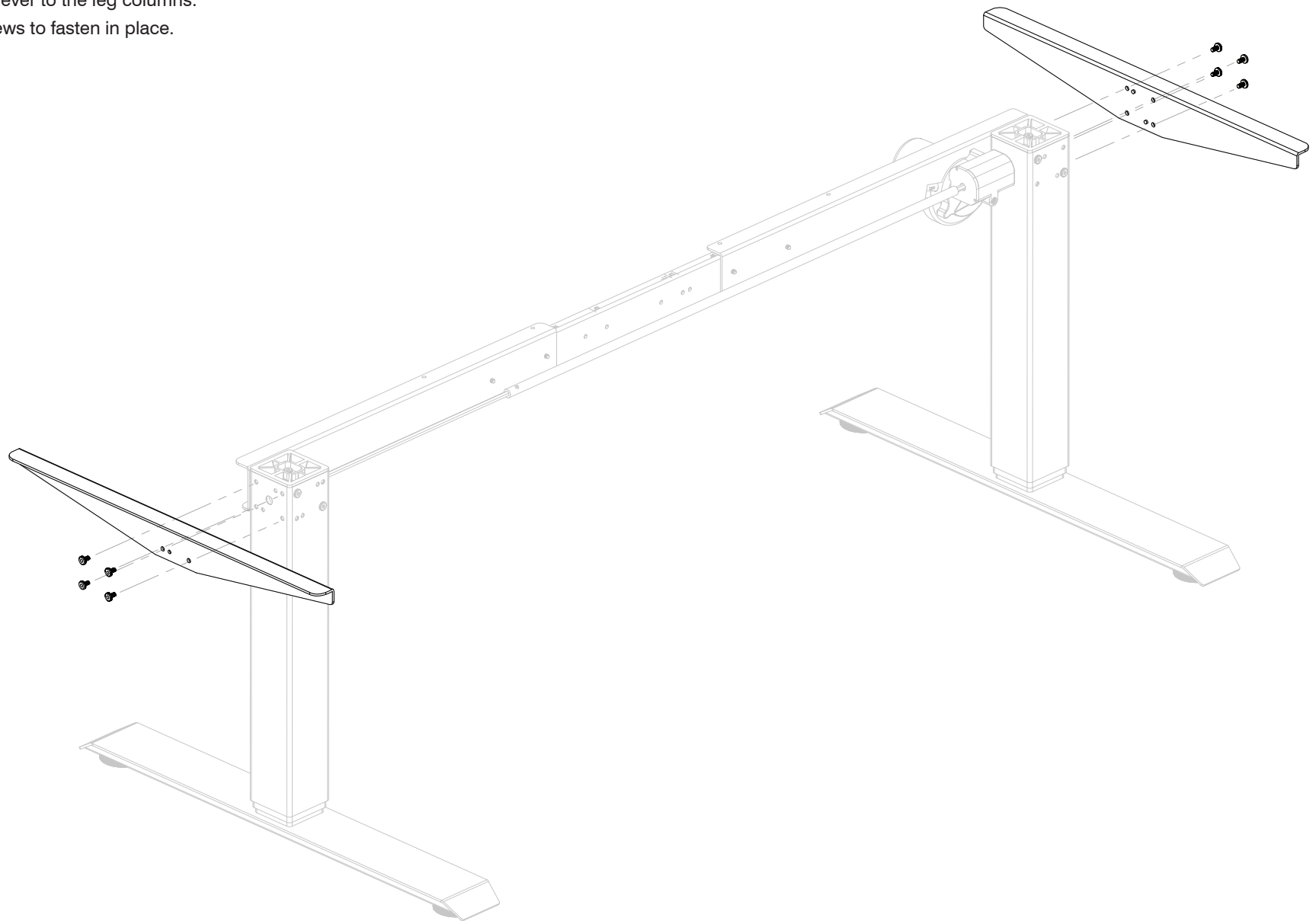
- 1 Attach both feet using M5 screws.



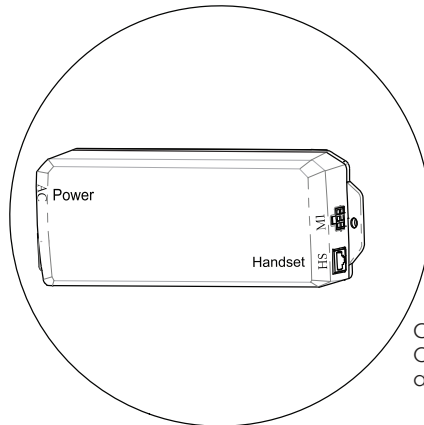
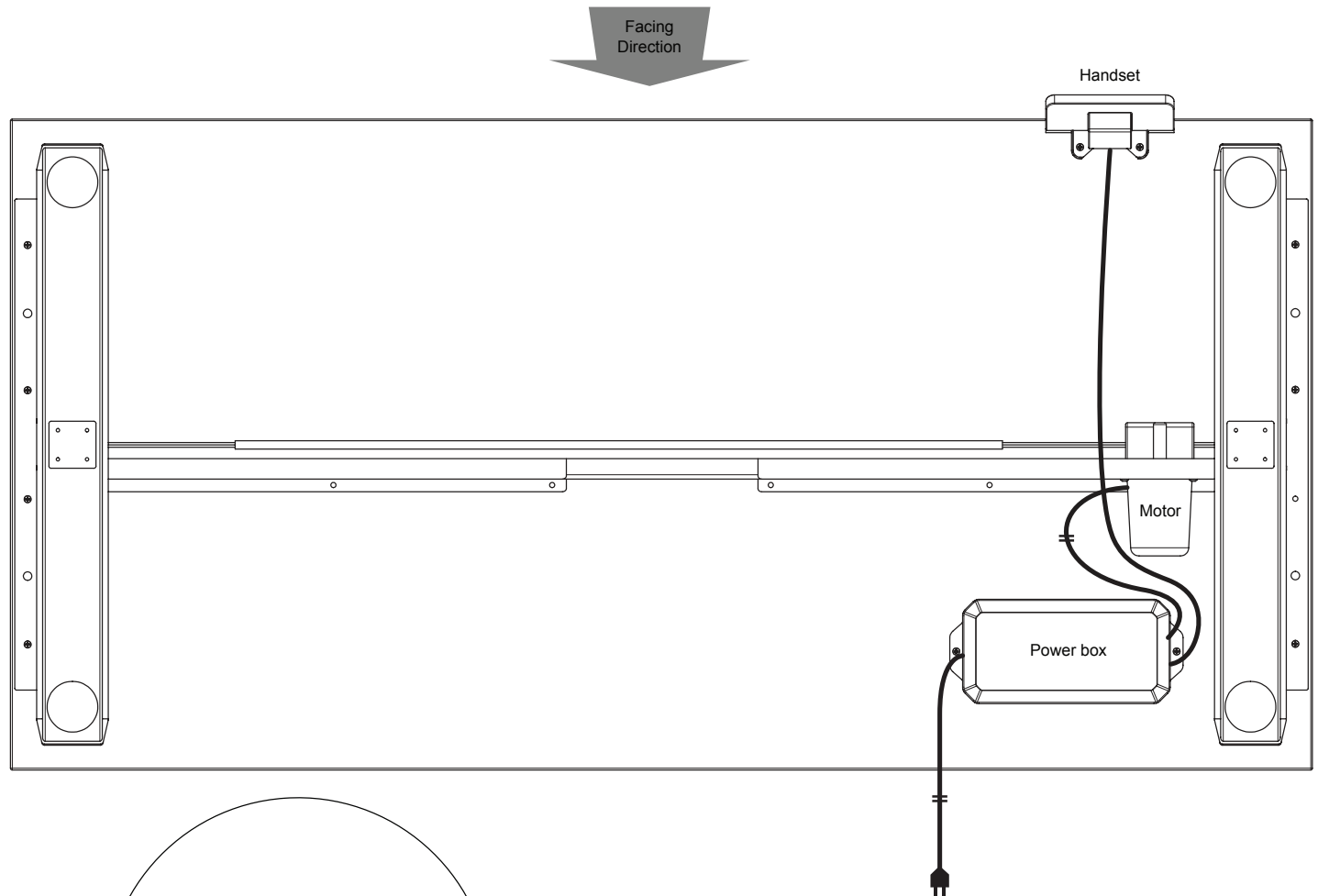
- 1 Insert short drive rod through the motor unit and into the right leg column.
- 2 Extend the long drive into the left leg column.



- 1 Attach cantilever to the leg columns.
Use M5 screws to fasten in place.



- 1 Orient yourself to the table assembly by facing as a user to identify left and right motor. After the hand set and control box are connected properly, connect power plug.



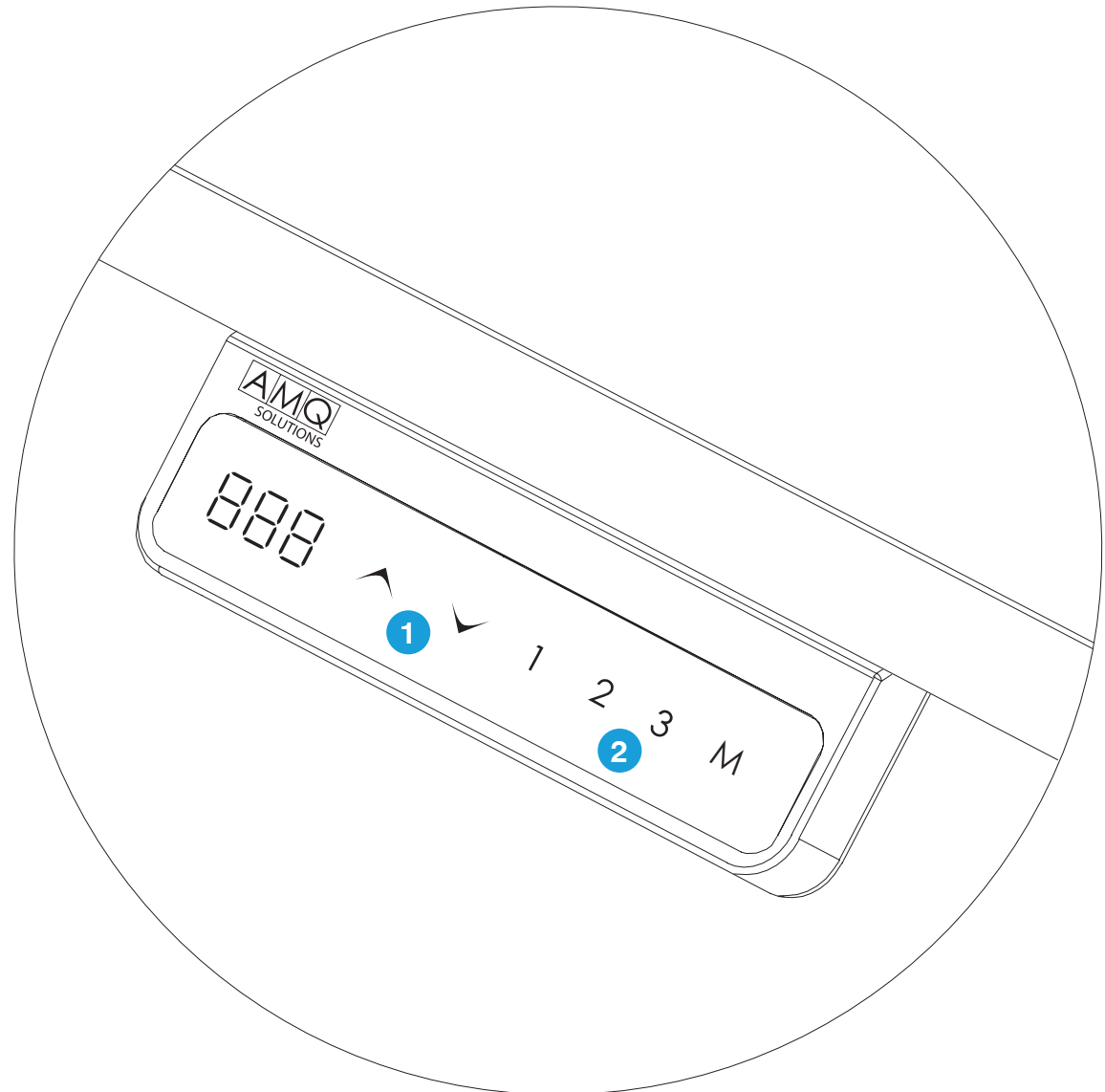
Connect each plugs according to the drawing. Orientate yourself the the table assembly by facing as a user to identify left and right motor.

- 1 To Program Up to 3 Presets:** Use the up/down arrows to find desired height, then press “M” followed by the number 1, 2, or 3.
- 2 To Test Programmed Height:** Use the up/down arrows to adjust the table to a height other than the preset height. Then push and hold the number you programmed to see if it automatically adjusts to the height programmed in Step 1.

Note: If it does not adjust to the programmed height, repeat Step 1 followed by Step 2.



Caution: Once the preset number is pushed, the base will automatically moved to the programmed height.



5 Day Open Plan we provide exceptional experiences with reliable, easy interactions and successfully fulfilled orders in only 5 days



915 Walsh Avenue / Santa Clara, CA 95050 (877) 801-0370 amqsolutions.com